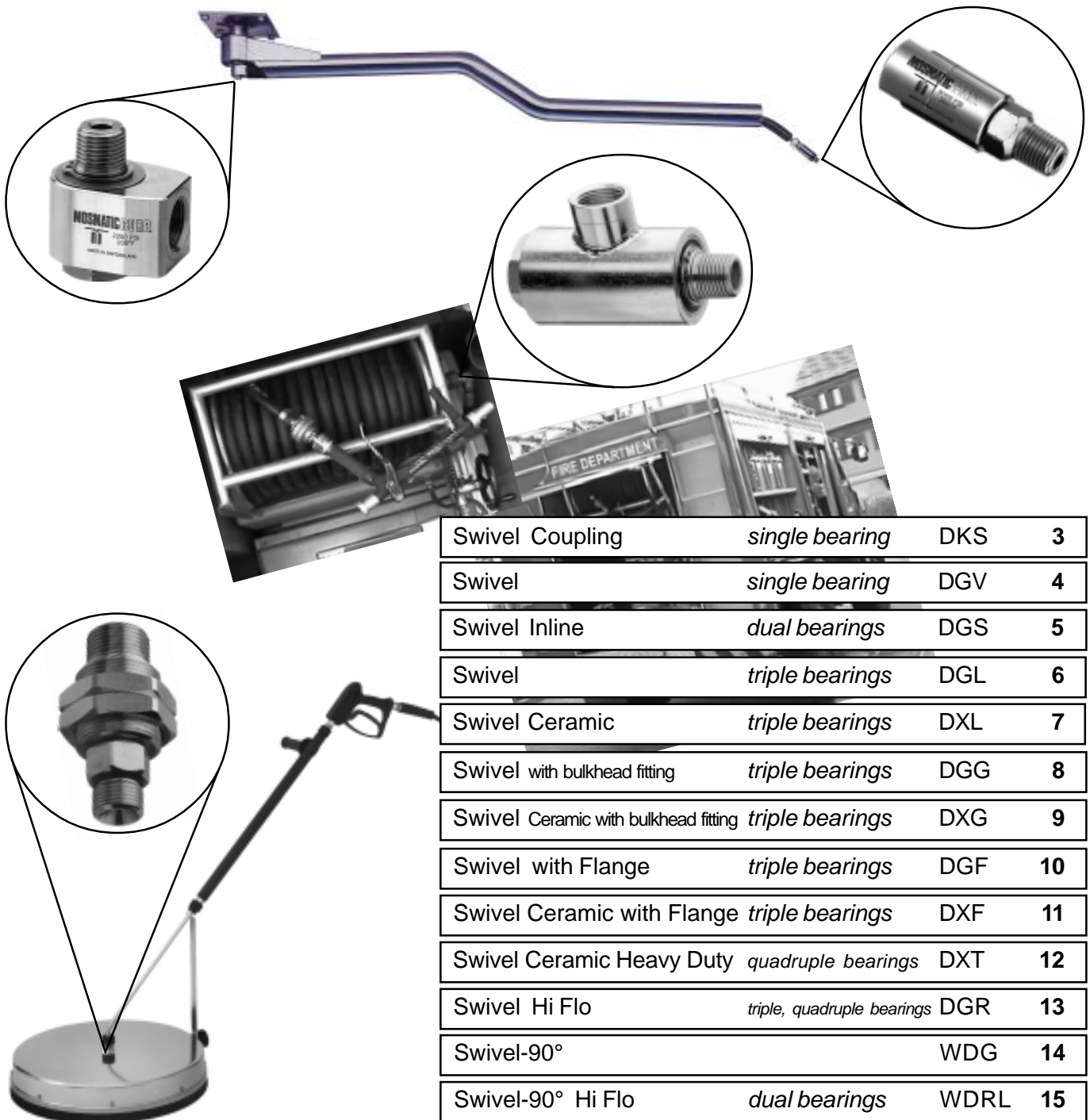


SWIVELS

Engineered for high and low pressure applications MOSMATIC swivels are built to last. All versions feature stainless steel ball and axial bearings as well as multiple seal systems. The latest development includes the all-new "Ceramic Seal System" by MOSMATIC. If you need a swivel connection, these easy to install, easy turning swivels are the solution for your application.



Swivel Coupling	<i>single bearing</i>	DKS	3
Swivel	<i>single bearing</i>	DGV	4
Swivel Inline	<i>dual bearings</i>	DGS	5
Swivel	<i>triple bearings</i>	DGL	6
Swivel Ceramic	<i>triple bearings</i>	DXL	7
Swivel with bulkhead fitting	<i>triple bearings</i>	DGG	8
Swivel Ceramic with bulkhead fitting	<i>triple bearings</i>	DXG	9
Swivel with Flange	<i>triple bearings</i>	DGF	10
Swivel Ceramic with Flange	<i>triple bearings</i>	DXF	11
Swivel Ceramic Heavy Duty	<i>quadruple bearings</i>	DXT	12
Swivel Hi Flo	<i>triple, quadruple bearings</i>	DGR	13
Swivel-90°		WDG	14
Swivel-90° Hi Flo	<i>dual bearings</i>	WDRL	15



SWIVEL COUPLING

single bearing system

DKS

stainless

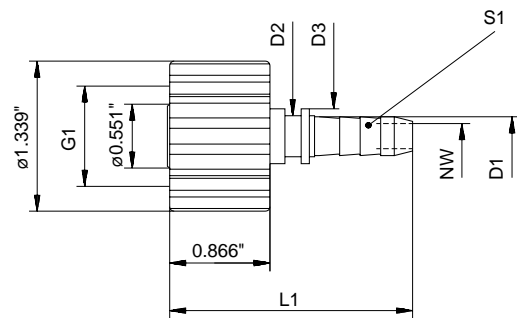
MOSMATIC swivel coupling from the DKS-series as an **easy turning** connection for high pressure hoses:

- Pressure Cleaners
- Hose Connections
- Flat Surface Cleaners
- etc.

- ☑ Multiple seal system for low and high pressure prevents leakage, stainless steel bearings for constant easy turning, compact and light weight, easy installation

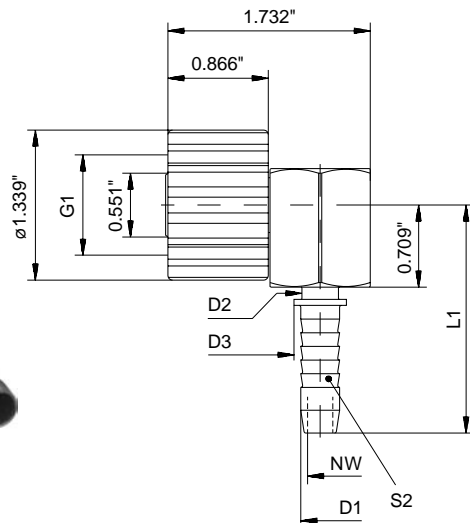
DKS

Part No.	G1 Quick-disconnects	S1 Size	NW	L1	D1	D2	D3	color
70.031	M 21 x 1.5 fem.	1/4"	0.158"	1.969"	0.280"	0.291"	0.370"	grey
70.032	M 21 x 1.5 fem.	5/16"	0.217"	2.087"	0.335"	0.354"	0.472"	grey
70.039	M 21 x 1.5 fem.	3/8"	0.276"	2.087"	0.406"	0.354"	0.472"	grey
70.131	M 22 x 1.5 fem.	1/4"	0.158"	1.969"	0.280"	0.291"	0.370"	red
70.132	M 22 x 1.5 fem.	5/16"	0.217"	2.087"	0.335"	0.354"	0.472"	red
70.139	M 22 x 1.5 fem.	3/8"	0.276"	2.087"	0.406"	0.354"	0.472"	red



DKS - 90°

Part No.	G1 Quick-disconnects	S2 Size	NW	L1	D1	D2	D3	color
70.532	M 21 x 1.5 fem.	5/16"	0.217"	1.811"	0.335"	0.354"	0.472"	grey
70.582	M 22 x 1.5 fem.	5/16"	0.217"	1.811"	0.335"	0.354"	0.472"	red



Other versions or sizes upon request

Technical Data

Throughput Medium:	water, oil, compressed air pH 3-12	Flow Rate:	depending on pump performance
Pressure:	4000 psi	Body:	brass, plastic coated
Temperature:	250° F	Inner Part / Barb:	stainless steel
R.P.M.:	max. 30 r.p.m.	Weight:	2,8 oz. - 4,5 oz.
Torque:	approx. 0,15 ft/lb at 4000 psi	Dimensions:	see chart

Legend

D = diameter, G = metric gas pipe thread, k = conical, L = length, M = metric thread, Quick-conn. = connects, NW = nominal width, SW = wrench size





GUN SWIVEL

single bearing system

DGV

stainless

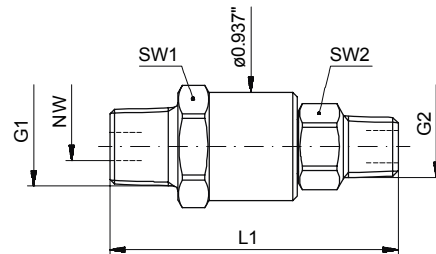
MOSMATIC gun swivel from the DGV-series as an **easy turning** connection for high pressure hoses:

- Hose Connections
- Guns (inlet)
- etc.

- ☑ Multiple seal system for low and high pressure prevents leakage, stainless steel bearings for constant easy turning, totally corrosion-resistant version ensures longevity, compact and light weight, easy installation

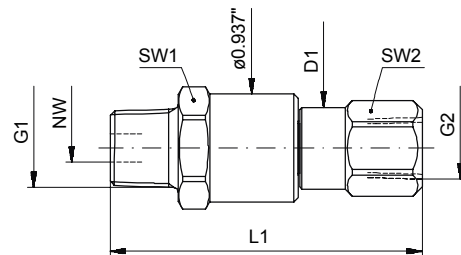
DGV

Part No.	G1 male thread	G2	NW	L1	SW1	SW2	Weight
32.561	3/8" NPT male	1/4" NPT male	0.244"	2.512"	0.945"	0.669"	4,6 oz.
32.563	3/8" NPT male	3/8" NPT male	0.244"	2.512"	0.945"	0.748"	4,9 oz.



DGV

Part No.	G1 male thread	G2	NW	L1	D1	SW1	SW2	Weight
32.562	3/8" NPT male	1/4" NPT female	0.244"	2.712"	0.709"	0.945"	0.748"	5,6 oz.
32.564	3/8" NPT male	3/8" NPT female	0.244"	2.712"	0.827"	0.945"	0.866"	6,0 oz.



Other versions or sizes upon request

Technical Data

Throughput Medium:	water, oil, compressed air pH 3-12	Flow Rate:	depending on pump performance
Pressure:	4000 psi	Body:	brass, nickel plated
Temperature:	250° F	Inner Part / Barb:	stainless steel
R.P.M.:	max. 30 r.p.m.	Weight:	see chart
Torque:	approx. 0,15 ft/lb at 4000 psi	Dimensions:	see chart

Legend

D = diameter, G = metric gas pipe thread, k = conical, L = length, M = metric thread, Quick-conn. = connects, NW = nominal width, SW = wrench size



SWIVEL Inline

dual bearing system

NW 1/4"

DGS

stainless

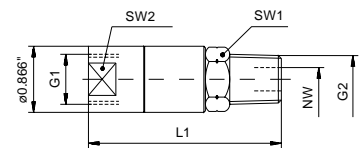
MOSMATIC swivel from the DGS-series as an **easy turning** connection for high pressure hoses:

- Carwash Systems
- Hose Connections
- Ceiling Booms
- Pressure Cleaners
- etc.

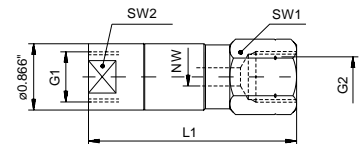
- ☑ Multiple seal system for low and high pressure prevents leakage, stainless steel bearings for constant easy turning, totally corrosion-resistant version ensures longevity, compact and light weight, easy installation

DGS

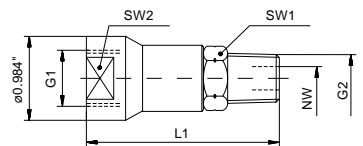
Part No.	G1 female thread	G2 male thread	SW1	SW2	L1
30.051	1/4" NPT fem.	1/4" NPT male	0.748"	0.748"	2.382"
30.053	1/4" NPT fem.	3/8" NPT male	0.748"	0.748"	2.421"



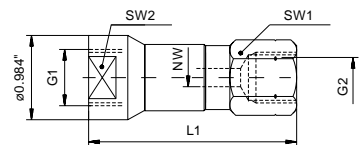
Part No.	G1 female thread	G2 female thread	SW1	SW2	L1
30.052	1/4" NPT fem.	1/4" NPT fem.	0.748"	0.748"	2.539"
30.054	1/4" NPT fem.	3/8" NPT fem.	0.748"	0.866"	2.618"



Part No.	G1 female thread	G2 male thread	SW1	SW2	L1
30.153	3/8" NPT fem.	3/8" NPT male	0.866"	0.748"	2.421"



Part No.	G1 female thread	G2 female thread	SW1	SW2	L1
30.154	3/8" NPT fem.	3/8" NPT fem.	0.866"	0.866"	2.618"



Other versions or sizes upon request

Technical Data

Throughput Medium:	water, oil, compressed air pH 3-12	Flow Rate:	depending on pump performance
Pressure:	4000 psi	Body:	brass, nickel plated
Temperature:	250° F	Inner Part:	stainless steel
R.P.M.:	max. 30 r.p.m.	Weight:	3,9 oz. - 4,9 oz.
Torque:	approx. 0,15 ft/lb at 4000 psi	Dimensions:	see chart

Legend

D = diameter, G = metric gas pipe thread, k = conical, L = length, M = metric thread, Quick-conn. = connects, NW = nominal width, SW = wrench size



SWIVEL

triple bearing system

NW 1/4" and 3/8"

DGL

stainless

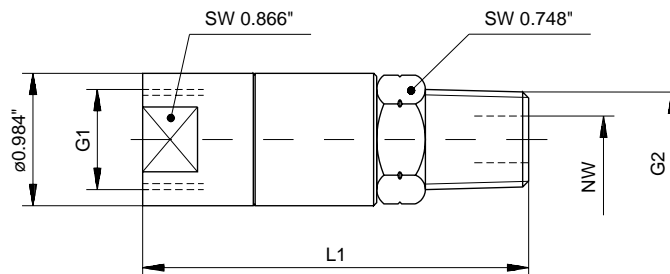
MOSMATIC swivel from the DGL-series as a suitable high pressure connection for:

- Self-rotating Applications • Parts Washers • etc.

- ☑ Multiple seal system for low and high pressure prevents leakage, stainless steel bearings for constant easy turning, totally corrosion-resistant version ensures longevity, compact and light weight, easy installation

DGL

Part No.	G1 female thread	G2 male thread	L1	NW
31.051	1/4" NPT fem.	1/4" NPT male	2.598"	1/4"
31.153	3/8" NPT fem.	3/8" NPT male	2.638"	1/4"
31.163	3/8" NPT fem.	G3/8" male	2.560"	1/4"
31.653	3/8" NPT fem.	3/8" NPT male	2.638"	3/8"



Other versions or sizes upon request

Technical Data

Throughput Medium:	water, oil, compressed air pH 3-12	Flow Rate:	depending on pump performance
Pressure:	4000 psi	Body:	brass, nickel plated
Temperature:	250°F	Inner Part:	stainless steel
R.P.M.:	max. 30 r.p.m.	Weight:	6,3 oz.
Torque:	approx. 0,15 ft/lb at 4000 psi	Dimensions:	see chart

Legend

D = diameter, G = metric gas pipe thread, k = conical, L = length, M = metric thread, Quick-conn. = connects, NW = nominal width, SW = wrench size



SWIVEL CERAMIC

triple bearing system

NW 1/4"

DXL

stainless

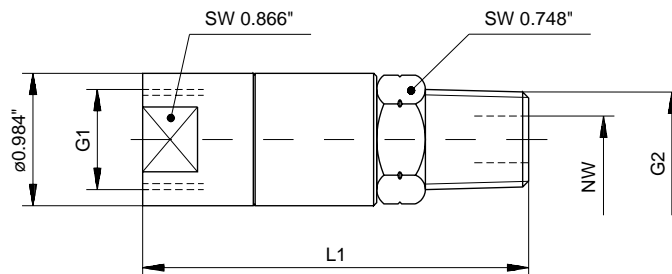
MOSMATIC swivel from the DXL-series, a suitable high pressure connection at **high r.p.m.** for:

- Self-rotating Applications • Undercarriage Cleaners • Tire Cleaner Applicators • Pressure Cleaners • Parts Washers

☑ Newly developed ceramic seal system and reinforced stainless steel bearings improve life and temperature ratings of the swivel. Totally corrosion-resistant version ensures longevity.

DXL

Part No.	G1 female thread	G2 male thread	L1	NW
36.051	1/4" NPT fem.	1/4" NPT male	3.110"	1/4"
36.153	3/8" NPT fem.	3/8" NPT male	3.150"	1/4"
36.163	3/8" NPT fem.	G3/8" male	3.150"	1/4"



Other versions or sizes upon request

Technical Data

Throughput Medium:	water, oil, compressed air pH 3-12	Flow Rate:	depending on pump performance
Pressure:	4000 psi	Body:	brass, nickel plated
Temperature:	40°F - 250°F	Inner Part:	stainless steel
R.P.M.:	2000 r.p.m.	Weight:	7 oz.
Torque:	approx. 0,15 ft/lb at 4000 psi	Dimensions:	see chart

Legend

D = diameter, G = metric gas pipe thread, k = conical, L = length, M = metric thread, Quick-conn. = connects, NW = nominal width, SW = wrench size





MOSMATIC

SWIVEL

DGG

triple bearing system

with bulkhead fitting

NW 1/4" and NW 3/8"

stainless

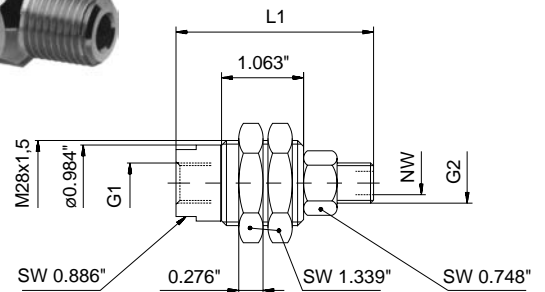
MOSMATIC swivel from the DGG-series as a suitable high pressure connection for:

- Self-rotating Applications
- Parts Washers
- etc.

- ☑ Multiple seal system for low and high pressure prevents leakage, stainless steel bearings for constant easy turning, totally corrosion-resistant version ensures longevity, compact and light weight, easy installation

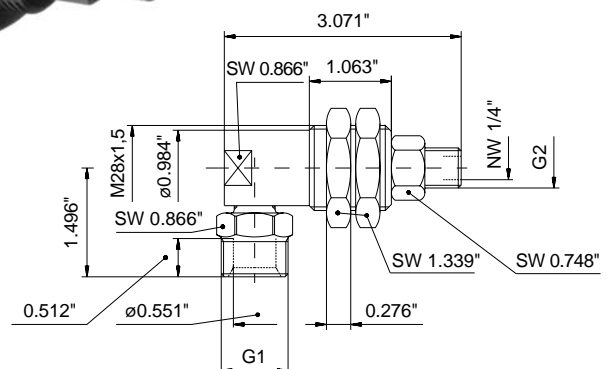
DGG

Part No.	G1 female thread	G2 male thread	L1	NW
33.051	1/4" NPT fem.	1/4" NPT male	2.589"	1/4"
33.153	3/8" NPT fem.	3/8" NPT male	2.589"	1/4"
33.653	3/8" NPT fem.	3/8" NPT male	2.638"	3/8"
33.063	1/4" NPT fem.	G 3/8" male	2.560"	1/4"
33.163	3/8" NPT fem.	G 3/8" male	2.560"	1/4"



DGG - 90° (NW1/4")

Part No.	G3 male thread	G4 male thread
33.503	M21 x 1.5 male	G 3/8" male
33.553	M22 x 1.5 male	G 3/8" male



Other versions or sizes upon request

Technical Data

Throughput Medium:	water, oil, compressed air pH 3-12	Flow Rate:	depending on pump performance
Pressure:	4000 psi	Body:	brass, nickel plated
Temperature:	250°F	Inner Part:	stainless steel
R.P.M.:	max. 30 r.p.m.	Weight:	7,4 oz. - 8,8 oz.
Torque:	approx. 0,15 ft/lb at 4000 psi	Dimensions:	see chart

Legend

D = diameter, G = metric gas pipe thread, k = conical, L = length, M = metric thread, Quick-conn. = connects, NW = nominal width, SW = wrench size





MOSMATIC

SWIVEL CERAMIC

DXG

triple bearing system

with bulkhead fitting

NW 1/4"

stainless

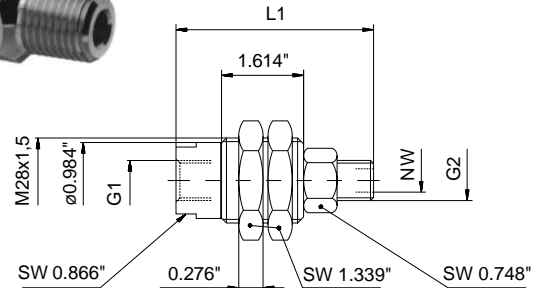
MOSMATIC swivel from the DXG-series, a suitable high pressure connection at **high r.p.m.** for:

- Self-rotating Applications
- Undercarriage Cleaners
- Tire Cleaner Applicators
- Pressure Cleaners
- Parts Washers

☑ Newly developed ceramic seal system and reinforced stainless steel bearings improve life and temperature ratings of the swivel. Totally corrosion-resistant version ensures longevity.

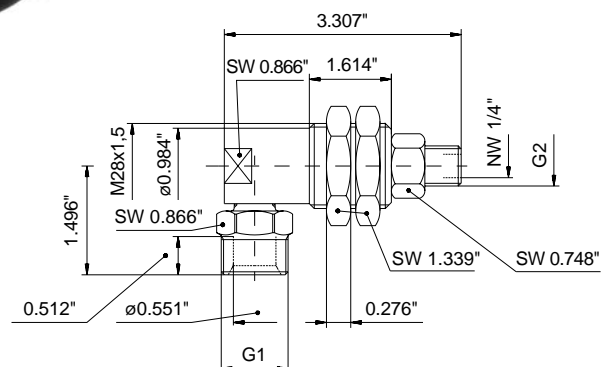
DXG

Part No.	G1 female thread	G3 male thread	L1	NW
37.051	1/4" NPT fem.	1/4" NPT male	3.110"	1/4"
37.153	3/8" NPT fem.	3/8" NPT male	3.150"	1/4"
37.063	1/4" NPT fem.	G 3/8" male	3.150"	1/4"
37.163	3/8" NPT fem.	G 3/8" male	3.150"	1/4"



DXG - 90° (NW 1/4")

Part No.	G3 male thread	G4 male thread
37.503	M21 x 1.5 male	G 3/8" male
37.553	M22 x 1.5 male	G 3/8" male



Other versions or sizes upon request

Technical Data

Throughput Medium:	water, oil, compressed air pH 3-12	Flow Rate:	depending on pump performance
Pressure:	4000 psi	Body:	brass, nickel plated
Temperature:	40°F - 250°F	Inner Part:	stainless steel
R.P.M.:	2000 r.p.m.	Weight:	8 oz. - 10 oz.
Torque:	approx. 0,15 ft/lb at 4000 psi	Dimensions:	see chart

Legend

D = diameter, G = metric gas pipe thread, k = conical, L = length, M = metric thread, Quick-conn. = connects, NW = nominal width, SW = wrench size





SWIVEL

triple bearing system

with flange

NW 1/4" and 3/8"

DGF

stainless

MOSMATIC swivel from the DGF-series as a suitable high pressure connection for:

- Self-rotating Applications
- Parts Washers
- etc.

- ☑ Multiple seal system for low and high pressure prevents leakage, stainless steel bearings for constant easy turning, totally corrosion-resistant version ensures longevity, compact and light weight, easy installation

DGF

Part No.	G1 female thread	G3 male thread	L1	NW
35.051	1/4"NPT fem.	1/4"NPT male	0.512"	1/4"
35.153	3/8"NPT fem.	3/8"NPT male	0.512"	1/4"
35.653	3/8"NPT fem.	3/8"NPT male	0.472"	3/8"
35.063	1/4"NPT fem.	G 3/8" male	0.472"	1/4"
35.163	3/8"NPT fem.	G 3/8" male	0.472"	1/4"

DGF (NW 1/4")

Part No.	G2 Quick-connect	G3 male thread	L1	NW
35.203	M 21 x 1.5 male	G 3/8" male	0.472"	1/4"
35.253	M 22 x 1.5 male	G 3/8" male	0.472"	1/4"

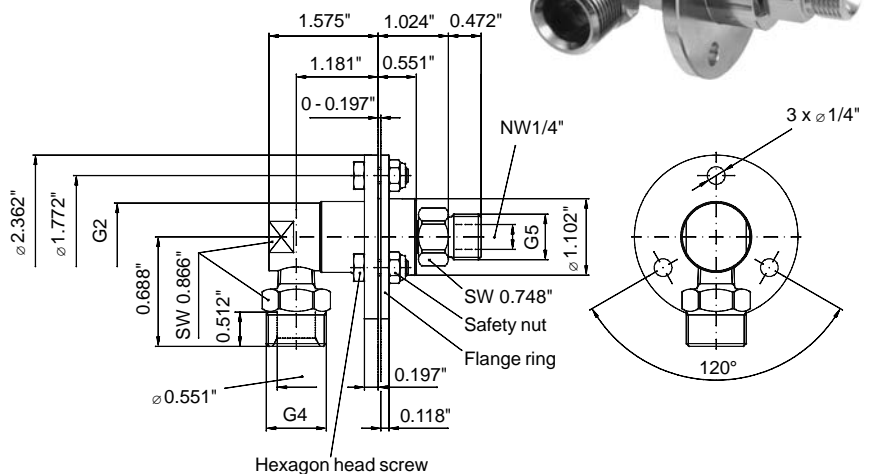
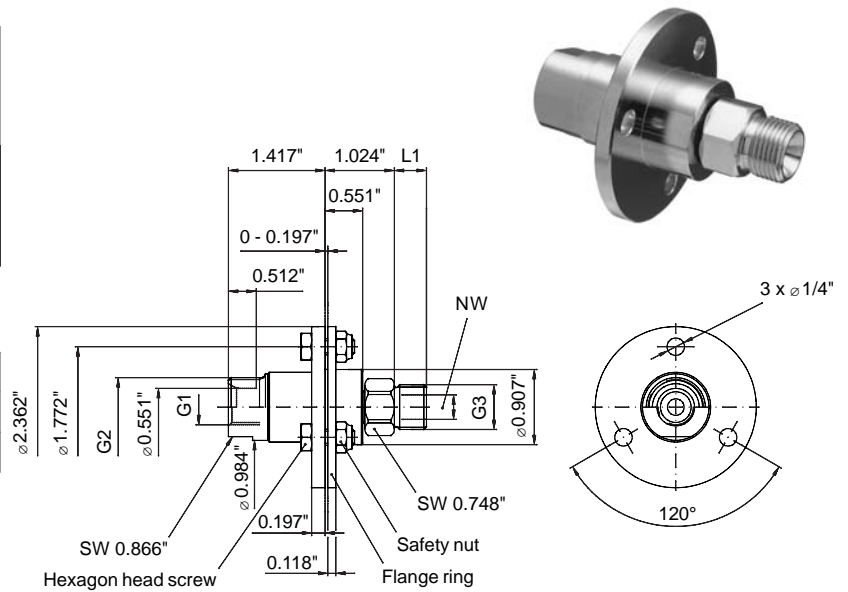
Accessories

Part No.	Description
900.341	Safety nut, M6 SW 0.394"
900.512	Hexagon head screw, M6 x 0.630"
900.510	Flange ring, 2.362" / 1.102" x 0.118"

DGF-90° (NW1/4")

Part No.	G4 Quick-connect	G5 male thread
35.503	M 21 x 1.5 male	G 3/8" male
35.553	M 22 x 1.5 male	G 3/8" male

Other versions or sizes upon request



Technical Data

Throughput Medium:	water, oil, compressed air pH 3-12	Flow Rate:	depending on pump performance
Pressure:	4000 psi	Body:	brass, nickel plated
Temperature:	250°F	Inner Part:	stainless steel
R.P.M.:	max. 30 r.p.m.	Weight:	10,9 oz. - 13,8 oz.
Torque:	approx. 0,15 ft/lb at 4000 psi	Dimensions:	see chart

Legend

D = diameter, G = metric gas pipe thread, k = conical, L = length, M = metric thread, Quick-conn. = connects, NW = nominal width, SW = wrench size





MOSMATIC

SWIVEL CERAMIC

triple bearing system

with flange

NW 1/4"

DXF

stainless

MOSMATIC swivel from the DXF-series, a suitable high pressure connection at **high r.p.m.** for:

- Self-rotating Applications
- Undercarriage Cleaners
- Tire Cleaner Applicators
- Surface Cleaners
- Parts Washers

☑ Newly developed ceramic seal system and reinforced stainless steel bearings improve life and temperature ratings of the swivel. Totally corrosion-resistant version ensures longevity.

DXF

Part No.	G1 female thread	G3 male thread	L1	NW
38.051	1/4"NPT fem.	1/4"NPT male	0.512"	1/4"
38.153	3/8"NPT fem.	3/8"NPT male	0.512"	1/4"
38.063	1/4"NPT fem.	G 3/8" male	0.472"	1/4"
38.163	3/8"NPT fem.	G 3/8" male	0.472"	1/4"

DXF

Part No.	G2 Quick-connect	G3 male thread	L1	NW
38.203	M 21 x 1.5 male	G 3/8" male	0.472"	1/4"
38.253	M 22 x 1.5 male	G 3/8" male	0.472"	1/4"

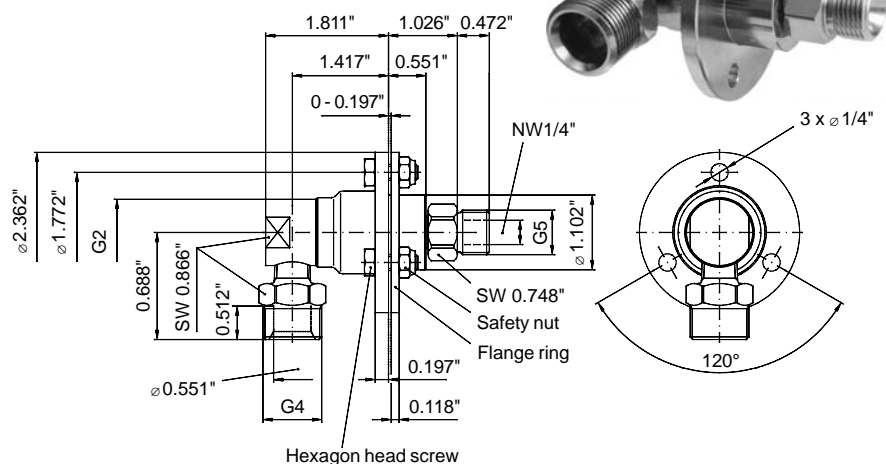
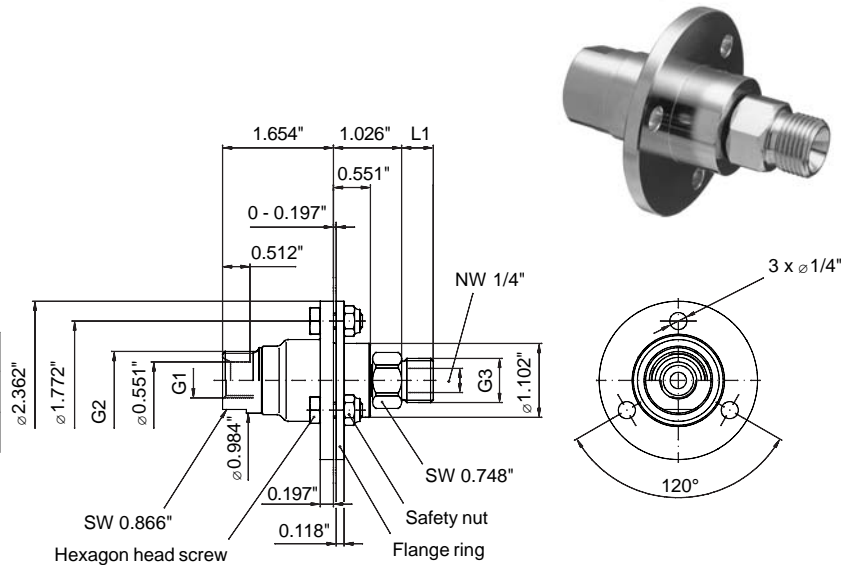
Accessories

Part No.	Description
900.341	Safety nut, M6 SW 0.394"
900.512	Hexagon head screw, M6 x 0.630"
900.510	Flange ring, 2.362" / 1.102" x 0.118"

DXF-90° (NW1/4")

Part No.	G4 Quick-connect	G5 male thread
38.503	M 21 x 1.5 male	G 3/8" male
38.553	M 22 x 1.5 male	G 3/8" male

Other versions or sizes upon request



Technical Data

Throughput Medium:	water, oil, compressed air pH 3-12	Flow Rate:	depending on pump performance
Pressure:	4000 psi	Body:	brass, nickel plated
Temperature:	40°F - 250°F	Inner Part:	stainless steel
R.P.M.:	2000 r.p.m.	Weight:	11 oz. - 15 oz.
Torque:	approx. 0,15 ft/lb at 4000 psi	Dimensions:	see chart

Legend

D = diameter, G = metric gas pipe thread, k = conical, L = length, M = metric thread, Quick-conn. = connects, NW = nominal width, SW = wrench size





SWIVEL CERAMIC

Heavy Duty

DXT

quadruple bearing system (reinforced)

NW 1/4"

stainless

MOSMATIC swivel from the DXT-series, a suitable high pressure connection at **high r.p.m.** for:

- Self-rotating Applications • Undercarriage Cleaners • Tire Cleaner Applicators • Surface Cleaners • Parts Washers

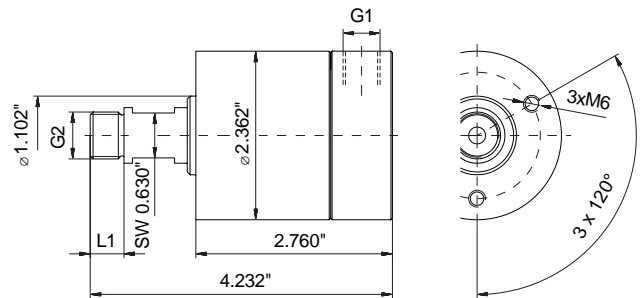
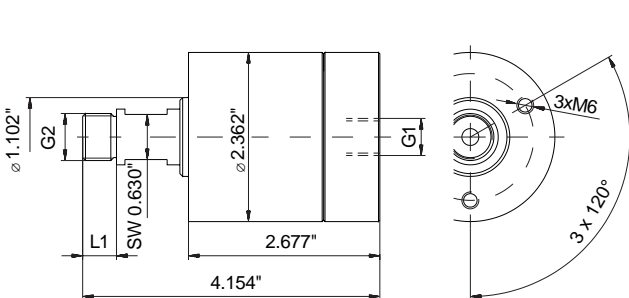
☑ Newly developed ceramic seal system and reinforced heavy duty stainless steel bearings improve life and temperature ratings of the swivel. Totally corrosion-resistant version ensures longevity.

DXT

Part No.	G1 female thread	G2 male thread	L1	NW
39.051	1/4"NPT fem.	1/4"NPT male	0.472"	1/4"
39.153	3/8"NPT fem.	3/8"NPT male	0.472"	1/4"
39.063	1/4"NPT fem.	G 3/8" male	0.472"	1/4"
39.163	3/8"NPT fem.	G 3/8" male	0.472"	1/4"

DXT-90°

Part No.	G1 female thread	G2 male thread	L1	NW
39.351	1/4"NPT fem.	1/4"NPT male	0.472"	1/4"
39.453	3/8"NPT fem.	3/8"NPT male	0.472"	1/4"
39.363	1/4"NPT fem.	G 3/8" male	0.472"	1/4"
39.463	3/8"NPT fem.	G 3/8" male	0.472"	1/4"



Three hexagon head screws, M6 x 7/8", Part No. 900.543, are included.

Other versions or sizes upon request

Technical Data

Throughput Medium:	water, oil, compressed air pH 3-12	Flow Rate:	depending on pump performance
Pressure:	4000 psi	Body:	brass, nickel plated
Temperature:	40°F - 250°F	Inner Part:	stainless steel
R.P.M.:	2000 r.p.m.	Weight:	3.3 lbs
Torque:	approx. 0,15 ft/lb at 4000 psi	Dimensions:	see chart

Legend

D = diameter, G = metric gas pipe thread, k = conical, L = length, M = metric thread, Quick-conn. = connects, NW = nominal width, SW = wrench size





SWIVEL Hi Flo

DGR

triple / quadruple bearing system

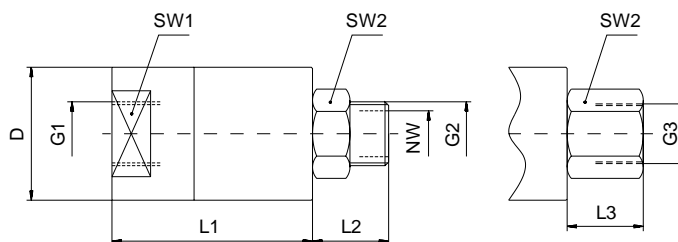
NW 5/8" up to NW 2"

stainless steel or aluminum

MOSMATIC swivel from the DGR-series have been specially engineered for use with water at high pressure and **high water volume**

- Automatic Carwash Systems • High Pressure Hose Reels • Tire Cleaner Applicators • Pressure Cleaners • etc.

- ☑ Multiple seal system for low and high pressure prevents leakage, quadruple "perma-lube" bearing system with hardened stainless steel ball bearings for constant easy turning, corrosion-resistant version ensures longevity, compact and light weight, easy installation



DGR quadruple bearing system, stainless steel
(tension and compression forces are allowed)

Part No.	G1 female thread	G2 male thread	SW1	SW2	NW	L1	L2	D	R.P.M.	Weight
34.211	1/2" NPT fem.	1/2" NPT male	1.496"	1.063"	5/8"	3.425"	1.221"	1.969"	200	39 oz.
34.311	3/4" NPT fem.	3/4" NPT male	1.654"	1.260"	3/4"	3.661"	1.299"	2.165"	150	49 oz.
34.411	1" NPT fem.	1" NPT male	1.811"	1.496"	1"	3.780"	1.496"	2.362"	130	58 oz.
34.511	1 1/2" NPT fem.	1 1/2" NPT male	2.559"	2.165"	1 1/2"	4.094"	1.732"	3.150"	100	95 oz.
34.611	2" NPT fem.	2" NPT male	2.952"	2.559"	2"	4.567"	1.929"	3.543"	70	132 oz.

Part No.	G1 female thread	G3 female thread	SW1	SW2	NW	L1	L3	D	R.P.M.	Weight
34.212	1/2" NPT fem.	1/2" NPT fem.	1.496"	1.063"	5/8"	3.425"	1.457"	1.969"	200	40 oz.
34.312	3/4" NPT fem.	3/4" NPT fem.	1.654"	1.260"	3/4"	3.661"	1.575"	2.165"	150	50 oz.
34.412	1" NPT fem.	1" NPT fem.	1.811"	1.496"	1"	3.780"	1.732"	2.362"	130	60 oz.
34.512	1 1/2" NPT fem.	1 1/2" NPT fem.	2.559"	2.165"	1 1/2"	4.094"	1.929"	3.150"	100	96 oz.
34.612	2" NPT fem.	2" NPT fem.	2.952"	2.559"	2"	4.567"	2.087"	3.543"	70	133 oz.

DGR triple bearing system, aluminium anodised blue
(tension forces only)

Part No.	G1 female thread	G2 male thread	SW1	SW2	NW	L1	L2	D	R.P.M.	Weight
34.281	1/2" NPT fem.	1/2" NPT male	1.496"	1.063"	5/8"	3.032"	1.221"	1.969"	200	17 oz.
34.381	3/4" NPT fem.	3/4" NPT male	1.654"	1.260"	3/4"	3.268"	1.299"	2.165"	150	23 oz.
34.481	1" NPT fem.	1" NPT male	1.811"	1.496"	1"	3.347"	1.496"	2.362"	130	28 oz.
34.581	1 1/2" NPT fem.	1 1/2" NPT male	2.559"	2.165"	1 1/2"	3.543"	1.732"	3.150"	100	48 oz.
34.681	2" NPT fem.	2" NPT male	2.952"	2.559"	2"	3.937"	1.929"	3.543"	70	68 oz.

Other versions or sizes upon request

Technical Data

Throughput Medium:	water, oil, compressed air pH 3-12	Body:	stainless steel or aluminum anodized, blue
Pressure:	3000 psi	Inner Part:	stainless steel
Temperature:	40°F - 180°F	Weight:	see chart
R.P.M.:	see chart	Dimensions:	see chart
Flow Rate:	depending on pump performance		

Legend

D = diameter, G = metric gas pipe thread, k = conical, L = length, M = metric thread, Quick-conn. = connects, NW = nominal width, SW = wrench size





SWIVEL-90°

NW 1/4"

WDG

stainless

MOSMATIC swivel from the WDG-series, a high pressure connection for:

- Carwash Systems • Hose Reels • Ceiling Booms • Hydraulic Machinery • etc.

- ☑ Multiple seal system for low and high pressure prevents leakage, totally corrosion-resistant version ensures longevity, compact and light weight, easy installation

WDG

Part No.	G1 female thread	G2 male thread	L1	L2
40.021	1/4" NPT fem.	1/4" NPT male	0.551"	1.024"
40.022	1/4" NPT fem.	3/8" NPT male	0.551"	1.024"
40.031	3/8" NPT fem.	1/4" NPT male	0.551"	1.024"
40.032	3/8" NPT fem.	3/8" NPT male	0.551"	1.024"
40.223	3/8" NPT fem.	1/2" NPT fem.	0.823"	1.575"
40.231	1/2" NPT fem.	1/2" NPT male	0.551"	1.575"



WDG

Part No.	G1 female thread	G2 male thread	L1	L2
40.028	1/4" NPT fem.	1/4" NPT male	1.185"	1.024"
40.029	1/4" NPT fem.	3/8" NPT male	0.551"	1.024"
40.039	3/8" NPT fem.	3/8" NPT male	0.551"	1.024"



Seal Kit (to Swivels with L2 = 1.024")

40.502	Seal Kit for 90° swivel (dual seal)	NW 0.276"
--------	-------------------------------------	-----------

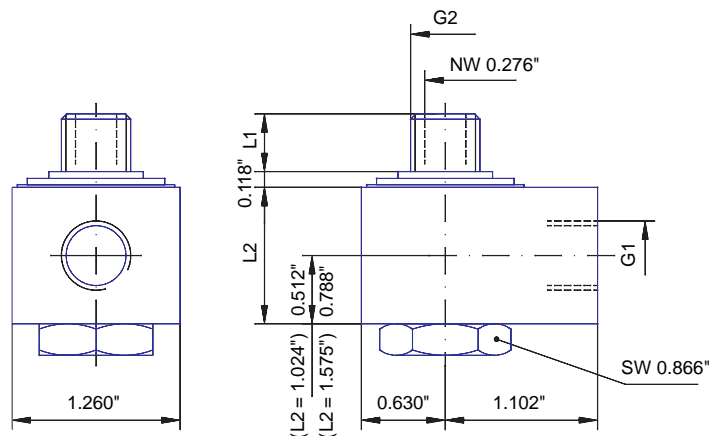
Seal Kit (to Swivel, Part No. 40.231)

40.503	Seal Kit for 90° swivel (dual seal)	NW 0.276"
--------	-------------------------------------	-----------

Seal Kit (to Swivel, Part No. 40.223)

40.506	Seal Kit for 90° swivel (dual seal)	NW 0.276"
--------	-------------------------------------	-----------

Other versions or sizes upon request



Technical Data

Throughput Medium:	water, oil, compressed air pH 3-12	Body:	brass, nickel plated
Pressure:	2200 psi	Inner Part:	stainless steel
Temperature:	200° F	Weight:	9,2 oz. - 10,9 oz.
R.P.M.:	max. 30 r.p.m.	Weight (long stem):	11,6 oz.
Flow Rate:	depending on pump performance	Dimensions:	see chart

Legend

D = diameter, G = metric gas pipe thread, k = conical, L = length, M = metric thread, Quick-conn. = connects, NW = nominal width, SW = wrench size





MOSMATIC

SWIVEL-90° Hi Flo

dual bearing system

NW 1/2" - NW2"

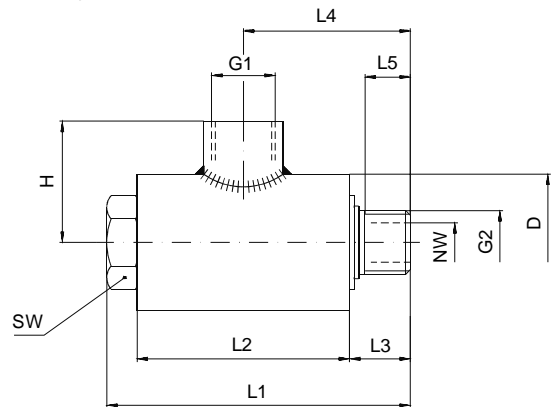
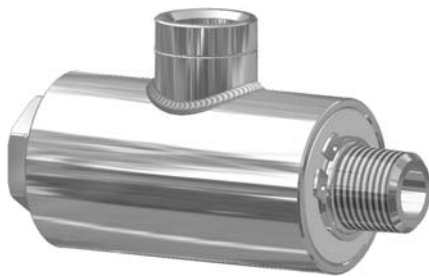
WDRL

stainless steel

MOSMATIC swivel from the WDRL-series have been specially engineered for use with water at high pressure and **high water volume**

- Automatic Carwash Systems • High Pressure Hose Reels • Tire Cleaner Applicators • Pressure Cleaners • etc.

- ☑ Multiple seal system for low and high pressure prevents leakage, dual "perma-lube" bearing system with hardened stainless steel ball bearings, corrosion-resistant version ensures longevity, compact and light weight, easy installation



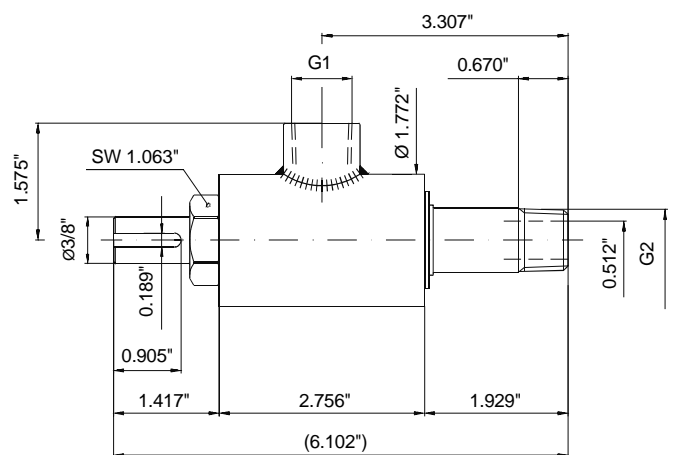
WDRL (no external forces allowed)

Part No.	G1 female thread	G2 male thread	SW	NW	H	L1	L2	L3	L4	L5	D	R.P.M	Weight
41.261	1/2" NPT fem.	1/2" NPT male	1.063"	1/2"	1.575"	4.331"	3.150"	0.984"	2.559"	0.591"	1.772"	150	28 oz.
41.361	3/4" NPT fem.	3/4" NPT male	1.260"	3/4"	1.693"	4.803"	3.543"	0.866"	2.638"	0.630"	1.969"	130	35 oz.
41.461	1" NPT fem.	1" NPT male	1.417"	1"	1.890"	5.354"	3.937"	0.945"	2.913"	0.709"	2.205"	110	48 oz.
41.561	1 1/2" NPT fem.	1 1/2" NPT male	2.165"	1 1/2"	2.362"	5.906"	4.331"	1.102"	3.268"	0.787"	2.795"	76	76 oz.
41.661	2" NPT fem.	2" NPT male	2.760"	2"	2.760"	7.087"	5.276"	1.181"	3.819"	0.866"	3.543"	60	106 oz.

WDR (no external forces allowed)

(with shaft and key-way)

Part No.	G1 female thread	G2 male thread	R.P.M	Weight
41.920	1/2" NPT fem.	1/2" NPT male	150	32 oz.



Other versions or sizes upon request

Technical Data

Throughput Medium: water, oil, compressed air pH 3-12	Body: stainless steel
Pressure: 3000 psi	Inner Part: stainless steel
Temperature: 40°F - 180°F	Weight: see chart
R.P.M.: see chart	Dimensions: see chart
Flow Rate: depending on pump performance	

Legend

D = diameter, G = metric gas pipe thread, k = conical, L = length, M = metric thread, Quick-conn. = connects, NW = nominal width, SW = wrench size





Terms and Conditions of Sale

Acceptance of any order and sale of any goods are expressly conditional upon the terms and conditions as listed herein. Any order or statement of intent to purchase any such goods, or any direction to proceed with engineering, procurement, manufacture or shipment shall constitute assent to said terms and conditions. Any additional or different terms or conditions set forth in Buyer's purchase order or similar communication are objected to and will not be binding upon MOSMATIC Corporation, unless specifically assented to in writing by an authorized representative of MOSMATIC Corporation management.

1. Prices

All prices stipulated or promulgated by MOSMATIC Corporation are subject to change without notice. Prices do not include any present or future sales, use, excise, value added or similar taxes and, where applicable, such taxes shall be billed as a separate item and paid by Buyer.

2. Shipping

All orders are shipped via UPS Ground unless otherwise specified. Most orders for stock goods will usually be shipped same day if purchase order is received by 12 p.m. CST.

Special crating or handling charges may apply to oversized or custom orders. Please inspect your shipment immediately upon arrival. If your order is not received in satisfactory condition, keep all packaging material and notify MOSMATIC Corporation within 48 hours.

All sales are made ex point of shipment, and the Buyer assumes all risks with title passing upon delivery to carrier at point of shipment, irrespective of who selects carrier.

Shipping dates given in advance of actual shipments are best estimates and shall not be deemed to represent fixed or guaranteed shipping dates. MOSMATIC Corporation shall not be liable for failure to deliver or for delay in delivery or performance due to (a) a cause beyond its reasonable control or (b) an act of God, act or omission of Buyer, act of civil or military authority, governmental priority or other allocation or control, fire, strike or other labor difficulty, riot or other civil disturbance, delay in transportation or (c) any other commercial impracticability.

Each shipment or delivery shall be deemed to have been sold under a separate and independent contract. If in the judgment of MOSMATIC Corporation, the financial condition of the Buyer at the time of manufacture or shipment does not justify the terms of payment specified on order, MOSMATIC Corporation reserves the right to require from Buyer full or partial payment or other adequate assurance of performance before manufacture or shipment. MOSMATIC Corporation reserves the right to suspend its performance until such a payment or adequate assurance of performance has been received. If payment is not made when due, Buyer agrees to pay a charge on the amount past due at the rate of 1.5% per month (18% per annum) or the maximum lawful rate, whichever is less. Nothing herein shall be deemed to extend or otherwise modify Buyer's obligation to make payment when due.

3. Payments

Credit: First orders are C.O.D., subsequent orders net 30 days from date of invoice upon credit approval. For credit applications, please call (800) 788-9880. Payment shall be made in US\$ (USD) only or in the currency agreed. Checks will be accepted as means of payment but shall not be regarded as settlement until they have been cleared. For your convenience we accept VisaCard, MasterCard, American Express and Discovery Card.

4. Termination

Buyer may terminate an order only by mutual agreement based on payment to MOSMATIC Corporation of reasonable and proper termination charges.

5. Returns

No return of goods will be accepted without prior authorization from a representative of MOSMATIC Corporation management. All returns must be accompanied by a Returned Goods Authorization (RGA) number provided by MOSMATIC Corporation. RGA numbers are valid for 90 days only. Except due to manufacturer defects, all returns must be in resaleable condition and are subject to a 15% restocking charge.

6. Limitation of Liability

MOSMATIC Corporation's liability on any claim for loss or damage arising out of a contract or from the performance or breach thereof or connected with the supplying of goods, or their sale, resale, operation or use, warranty, tort (including negligence) or other grounds, shall not exceed the price allowable to such goods or part thereof involved in any claim.

MOSMATIC Corporation shall not under any circumstances be liable for any labor charges, special or consequential damages including, but not limited to, bodily injury, loss of profits or revenue, loss of use of any product or associated product, cost of capital, cost of substitute products, facilities or services, downtime costs or costs of claims arising from Buyer or Buyer's customers.

Any technical or other advice or assistance furnished by MOSMATIC Corporation, which concerns any goods supplied hereunder, will not subject MOSMATIC Corporation to any liability, whether based on contract, warranty, tort (including negligence) or other grounds.

7. Limited Warranty

MOSMATIC Corporation warrants that its product/s (the „Product“) shall be free from defects in materials and workmanship under normal use, installation and maintenance in accordance with MOSMATIC Corporation's specifications. If any failure to conform to this warranty is reported to MOSMATIC Corporation within six months from the date of purchase by the original buyer, MOSMATIC Corporation, upon being satisfied of the existence of such non-conformity, will, with exclusions (wear and tear) etc., correct same at its discretion by repairing or replacing the Product.

This warranty does not cover damage resulting from mishandling in transit, vandalism, misuse, abuse, neglect, alteration, dismantling, acts of God or failure to exercise reasonable care in installing or maintaining the Product. This warranty applies only to the original buyers who purchased the Product directly from MOSMATIC Corporation. To obtain service under this warranty, call our sales/service department at (800) 788-9880.

THIS WARRANTY IS IN LIEU OF AND EXCLUDES ALL OTHER WARRANTIES, EXPRESSED OR IMPLIED, ARISING BY OPERATION OF LAW OR OTHERWISE, INCLUDING ANY WARRANTY OF MERCHANTABILITY OR FITNESS FOR PARTICULAR PURPOSE OR OTHERWISE, AND NO REPRESENTATION OF WARRANTY, EXPRESSED OR IMPLIED, MADE BY ANY SALES REPRESENTATIVE OR OTHER AGENT OF MOSMATIC Corporation IN NO EVENT WILL MOSMATIC Corporation BE LIABLE FOR INCIDENTAL OR CONSEQUENTIAL DAMAGES.

This warranty gives you specific legal rights, and you may have other rights which vary from state to state.

8. Availability

Not all products listed in this catalog are stocked by each service center.

9. Governing law

All orders are accepted by Seller at its mailing address in Bristol, Wisconsin, and shall be governed by and interpreted in accordance with the laws of the state of Wisconsin.





MOSMATIC

FAX - ORDER

send to: 610-583-5479

**ETS Co. Inc.
20 E. Winona Ave.
Norwood PA 19074**

*Phone: 1-877-824-7763
Fax : 610-583-5479
e-MAIL: ets@etscompany.com
Internet: www.etscompany.com*

Part No.	Description	Quantity	Delivery date



Billing Address

Company:
Address:
Zip/City:
Country:
Phone:
Fax:
e-MAIL:
Contact Person:.....

P.O. number:

Shipping Address (if different)

Company:
Address:
Zip/City:
Country:
Phone:
Fax:
e-MAIL:
Contact Person:

Date

authorized signature

Please copy, fill in and fax your order

Technologie du nettoyage haute pression
Tecnologia di lavaggio ad alta pressione
High Pressure Cleaning Technology
Hochdruck-Reinigungs-Technik



INFORMATION

All data and measurements are without liability and indicate approximate values only.

We reserve the right to make technical modifications at any time without prior notification.

The product descriptions used in this catalog do not represent guaranteed characteristics.

For any special versions, manufactured to individual customer requirements, we decline any responsibility for their subsequent use and effects in operation.

The details we provide are recommendations only, which we give to the best of our knowledge. Written confirmation of precise details can be obtained upon request.

With the publication of this issue, all previous catalogs are no longer valid.

Your personal information

Customer number	_____
Contact person	_____
Phone	1-877-824-7763 / 610-583-5479
Fax	610-583-5479
e-MAIL	ets@etscompany.com
Internet	www.etscompany.com
Address	20 E. Winona Ave. Norwood, PA 19074-1210 USA