



GENERATOR

OPERATION MANUAL



TABLE OF CONTENTS

Introduction

- 4 Using the Operators Manual

Product Identification

- 5 Generator
- 5 Engine

Safety

- 6 Safety Rules
- 6 Hazard Symbols and Meanings
- 9 Ground Fault Circuit Interrupter Protection

Generator Components

- 13 3100W Component Chart
- 14 6500W Component Chart
- 15 9000W Component Chart

Preparing the Generator

- 16 Grounding the Generator

Pre-Operation Checklist

- 17 Engine Oil
- 17 Fuel
- 18 General Recommendations
- 18 Fuel Type
- 18 Gasoline/Alcohol Blends
- 18 Gasoline/Ether Blends
- 18 Check Component Parts
- 19 Check Generator Surroundings

Starting the Generator

- 19 Recoil Start
- 21 Electric Start



Operation

- 22 Using Electric Power
- 22 AC Application
- 23 DC Application
- 23 Connection of Cable
- 23 Safety Precautions While Charging
- 24 Wattage Information
- 25 Spark Arrester
- 25 How To Remove The Spark Arrester
- 25 Clean The Spark Arrester Screen

Stopping the Generator

- 26 Stopping the Generator
- 26 Oil Sensor

Troubleshooting

- 27 Troubleshooting Chart

Maintenance

- 28 Maintenance Schedule
- 28 Daily Inspection
- 28 Periodic Maintenance
- 29 Changing Engine Oil
- 29 Servicing The Air Cleaner
- 29 Cleaning and Gapping Spark Plug
- 29 Cleaning Fuel Strainer
- 29 Periodic Operation and Inspection

Transporting

- 30 Transporting

Storage

- 31 Preparation for Storage



INTRODUCTION



Attention: Read through the complete manual prior to the initial use of your generator.

Using the Operator's manual

The operating manual is an important part of your generator and should be read thoroughly before initial use, and referred to often to make sure adequate safety and service concerns are being addressed.

Reading the owner's manual thoroughly will help avoid any personal injury or damage to your machine. By knowing how best to operate this machine you will be better positioned to show others who may also operate the unit.

This manual contains information for the complete range of BE generators, and is placed in order starting from the safety requirements to the operating functions of your machine. You can refer back to the manual at any time to help troubleshoot any specific operating functions, so store it with the machine at all times.



Record Identification Numbers

Generator

If you need to contact an Authorized Dealer or Customer Service line (1-866-850-6662) for information on servicing, always provide the product model and identification numbers.

You will need to locate the model and serial number for the machine and record the information in the places provided below.

Date of Purchase:

Dealer Name:

Dealer Phone:

Product Identification Numbers

Model Number:

Serial Number:

Engine


Horse Power:

Save these Instructions

Safety Rules



This is the safety alert symbol. It is used to alert you to potential personal injury hazards. Obey all safety messages that follow this symbol to avoid possible injury or death.

The safety alert symbol () is used with a signal word (DANGER, CAUTION, WARNING), a pictorial and/or a safety message to alert you to hazards.

DANGER indicates a hazard which, if not avoided, will result in death or serious injury.

WARNING indicates a hazard which, if not avoided, could result in death or serious injury.

CAUTION indicates a hazard which, if not avoided, might result in minor or moderate injury.

NOTICE indicates a situation that could result in equipment damage. Follow safety messages to avoid or reduce the risk of injury or death.

Hazard Symbols and Meanings



EXPLOSION



FIRE



ELECTRIC SHOCK



TOXIC FUMES



KICKBACK



READ MANUAL

⚠ WARNING

Generator exhaust contains carbon monoxide, a poisonous gas that can kill you.

You **CAN NOT** smell or see this gas.

- Use generator outdoors, away from open windows, vents, or doors that could allow the carbon monoxide gas to come indoors. Keep generator at least 1 meter (3 feet) away from any structure or building during use.
- **NEVER** use a generator indoors, including in homes, garages, basements, crawl spaces, and other enclosed or partially-enclosed areas, even with ventilation. Opening doors and windows or using fans will not prevent carbon monoxide build-up in the home.
- **NEVER** use a generator in enclosed or partially-enclosed spaces. Generators can produce high levels of carbon monoxide very quickly. When you use a portable generator, remember that you cannot smell or see carbon monoxide. Even if you can't smell exhaust fumes, you may still be exposed to carbon monoxide.
- **NEVER** operate the generator in an explosive atmosphere, near combustible materials or where ventilation is not sufficient to carry away exhaust fumes. Exhaust fumes can cause serious injury or death.
- If you start to feel sick, dizzy, or weak while using a generator, get to fresh air **RIGHT AWAY. DO NOT DELAY.** The carbon monoxide from generators can rapidly lead to full incapacitation and death.
- If you experience serious symptoms, get medical attention immediately. Inform medical staff that carbon monoxide poisoning is suspected. If you experienced symptoms while indoors, have someone call the fire department to determine when it is safe to re-enter the building.

⚠ WARNING

Fuel and its vapors are extremely flammable and explosive.



Fire or explosion can cause severe burns or death.

When Adding or Draining Fuel

- Observe all safety regulations for the safe handling of fuel. Handle fuel in safety containers. If the container does not have a spout, use a funnel.
- Do not overfill the fuel tank, leave room for the fuel to expand.
- Do not refill fuel tank while the engine is running. Before refueling the generator, turn it off and let it cool down. Gasoline spilled on hot engine parts could ignite.
- Fill the tank only on an area of bare ground. While fueling the tank, keep heat, sparks and open flame away. Carefully clean up any spilled fuel before starting engine.
- Always fill fuel tank in an area with plenty of ventilation to avoid inhaling dangerous fumes.
- **NEVER** store fuel for your generator in the home. Gasoline, propane, kerosene, and other flammable liquids should be stored outside of living areas in properly-labeled, non-glass safety containers. Do not store them near a fuel-burning appliance, such as a natural gas water heater in a garage. If the fuel is spilled or the container is not sealed properly, invisible vapors from the fuel can travel along the ground and can be ignited by the appliance's pilot light or by arcs from electric switches in the appliance.

**Ground Fault Circuit Interrupter Protection**

These generators are equipped with a GFCI (Ground Fault Circuit Interrupters) 120V duplex receptacles for protection against the hazards of electrical shock from defective attachments such as, tools, cords, and cables.

 WARNING

The GFCI may not function unless the generator is properly grounded. Follow the correct procedure specified in the section labeled "GROUNDING INSTRUCTIONS".

These generators are equipped with a GFCI (Ground Fault Circuit Interrupters) 120V duplex receptacles for protection against the hazards of electrical shock from defective attachments such as, tools, cords, and cables.

A GFCI is a device that interrupts electricity from either the utility or generator by means of a special type of circuit breaker if a fault current flow to the ground occurs.

A GFCI can be used only with generators that have the neutral wire internally bonded to the frame, and the frame properly grounded to the earth. A GFCI will not work on generators that do not have the neutral wire bonded to the frame, or on generators which have not been properly grounded. All BE generators have internally bonded ground wires. A GFCI will not work if the unit is not properly grounded.

For additional protections against shock hazards due to defective equipment attached to the twist-lock receptacles, consider the use of a GFCI on each of these receptacles as well.

GFCI and GFCI protected cord sets and cables may be purchased from local electrical supply houses.



SAFETY

This product must be grounded. If it should malfunction or breakdown, grounding provides a path of least resistance for electric current to reduce the risk of electric shock.

DANGER



Improper connection of the equipment grounding conductor can result in a risk of electrocution. Check with a qualified electrician or service person if you are in doubt as to whether the unit is properly grounded.

This generator is equipped with a grounding terminal for your protection. Always complete the ground path from the generator to an external ground source as instructed in the section labeled "Grounding Instructions" in the Preparation section of this manual.

The generator is a potential source of electrical shock if not kept dry. Keep the generator dry and do not use in rain or wet conditions. To protect from moisture, operate it on a dry surface under an open, canopy-like structure. Dry your hands if wet before touching the generator.


Plug appliances directly into the generator. Or, use a heavy duty, outdoor-rated extension cord that is rated (in watts or amps) at least equal to the sum of the connected appliance loads. Check that the entire cord is free of cuts or tears and that the plug has all three prongs, especially a grounding pin.

NEVER try to power the house wiring by plugging the generator into a wall outlet, a practice known as "back feeding". This is an extremely dangerous practice that presents an electrocution risk to utility workers and neighbors served by the same utility transformer. It also bypasses some of the built-in household circuit protection devices.

If you must connect the generator to the house wiring to power appliances, have a qualified electrician install the appropriate equipment in accordance with local electrical codes. Or, check with your utility company to see if it can install an appropriate power transfer switch.

For power outages, permanently installed stationary generators are better suited for providing backup power to the home. Even a properly connected portable generator can become overloaded. This may result in overheating or stressing the generator components, possibly leading to a generator failure.

Important Safety Instructions

⚠ WARNING	
	<p>To reduce the risk of injury, read this operator's manual completely before using.</p> <p>When using this product, the following basic precautions should always be followed.</p>

- Do not enclose the generator or cover it with a box. The generator has a built-in forced air cooling system, and may become overheated if it is enclosed. If generator has been covered to protect it from the weather during non use, be sure to remove it and keep it well away from the area during generator use.
- Operate the generator on a level surface. It is not necessary to prepare a special foundation for the generator. However, the generator will vibrate on an irregular surface, so choose a level place without surface irregularities.

If the generator is tilted or moved during operation, fuel may spill and/or the generator may tip over, causing a hazardous situation.

Proper lubrication cannot be expected if the generator is operated on a steep incline or slope. In such a case, piston seizure may occur even if the oil is above the upper level.

- Pay attention to the wiring or extension cords from the generator to the connected device. If the wire is under the generator or in contact with vibrating part, it may break and possibly cause a fire, generator burnout, or electric shock hazard. Replace damaged or worn cords immediately.
- Do not operate in rain, in wet or damp conditions, or with wet hands. The operator may suffer severe electric shock if the generator is wet due to rain or snow. If wet, wipe and dry it well before starting. Do not pour water directly over the generator, nor wash it with water.
- Be extremely careful that all necessary electrical grounding procedures are followed during each and every use. Failure to do so can be fatal.
- NEVER try to power the house wiring by plugging the generator into a wall outlet, a practice known as "back feeding". This is an extremely dangerous practice that presents an electrocution risk to utility workers and neighbors served by the same utility transformer. It also bypasses some of the built-in household circuit protection devices. If you must connect the generator to the house wiring to power appliances, have a qualified electrician install the appropriate equipment in accordance with



SAFETY

local electrical codes. Or, check with your utility company to see if it can install an appropriate power transfer switch.

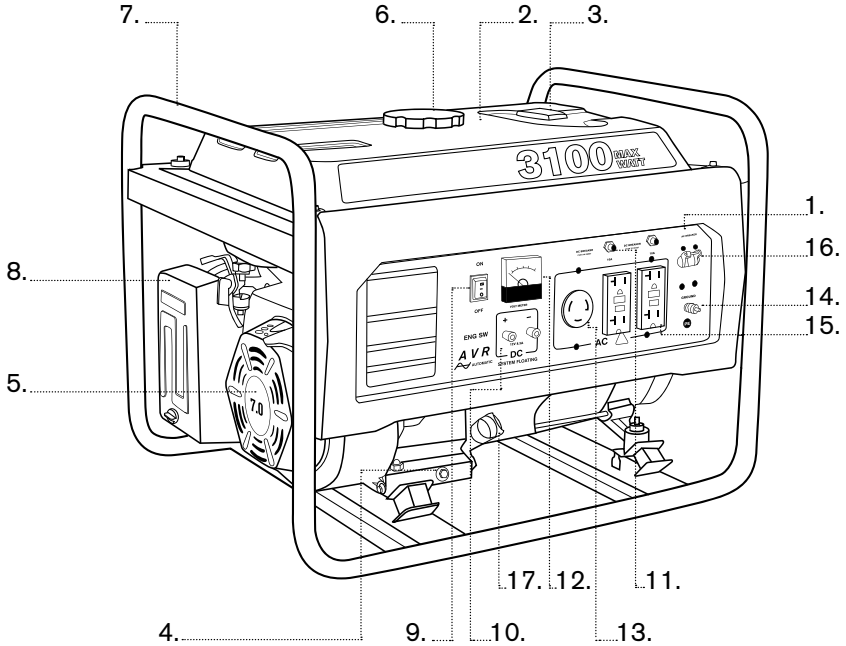
- DO NOT smoke while charging a battery. The battery emits flammable hydrogen gas, which can explode if exposed to electric arcing or open flame. Keep the area well ventilated and keep open flames / sparks away when charging a battery.
- Engine becomes extremely hot during and for some time after operation. Keep combustible materials well away from generator area. Be very careful not to touch any parts of the hot engine especially the muffler area or serious burns may result.
- Keep children and all bystanders at a safe distance from work area.
- It is absolutely essential that you know the safe and proper use of the power tool or appliance that you intend to use. All operators must read, understand and follow the tool / appliance owners manual. Tool and appliance applications and limitations must be understood. Follow all directions given on labels and warnings. Keep all instruction manuals and literature in a safe place for future reference.
- Use only "LISTED" extension cords. When a tool or appliance is used outdoors, use only extension cords marked "For Outdoor Use". Extension cords, when not in use should be stored in a dry and well ventilated area.
- Always switch off generator's AC circuit breaker and disconnect tools or appliances when not in use, before servicing, adjusting, or installing accessories and attachments.
- Make sure the engine is stopped before starting any maintenance, servicing or repair.

NOTE: Make sure maintenance and repair of the generator are performed by properly trained personnel only.

SAVE THESE INSTRUCTIONS



Read this operator's manual and safety rules before operating your generator.

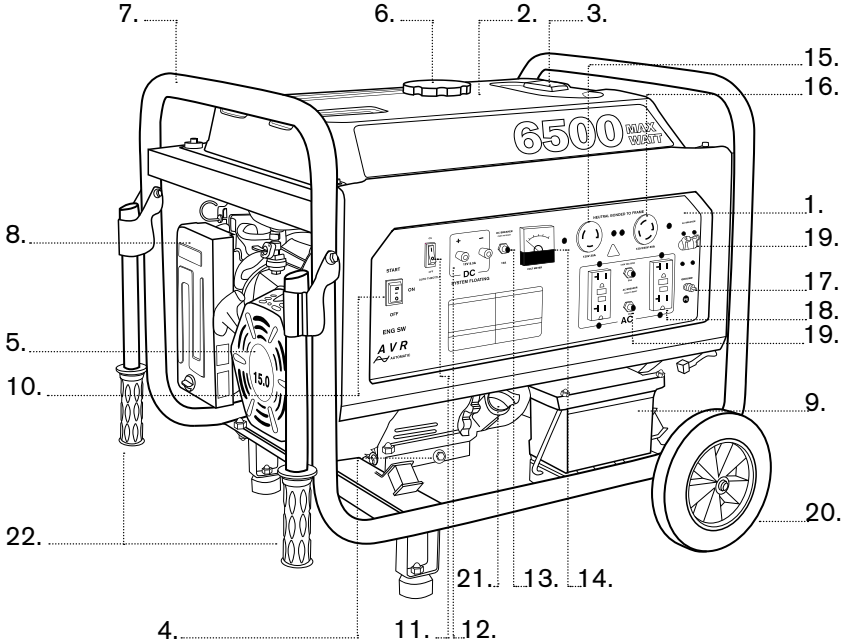


- 1. Control Panel
- 2. Fuel Tank
- 3. Fuel Gauge
- 4. Oil Drain Plug
- 5. Recoil Starter
- 6. Tank Cap
- 7. Frame
- 8. Air Cleaner
- 9. ON/OFF Switch

- 10. DC Connection
- 11. DC Breaker
- 12. Voltmeter
- 13. 120V 3 Prong Twistlock
- 14. Ground
- 15. 120V GFCI
- 16. AC Breaker
- 17. Oil Dipstick



Read this operator's manual and safety rules before operating your generator.



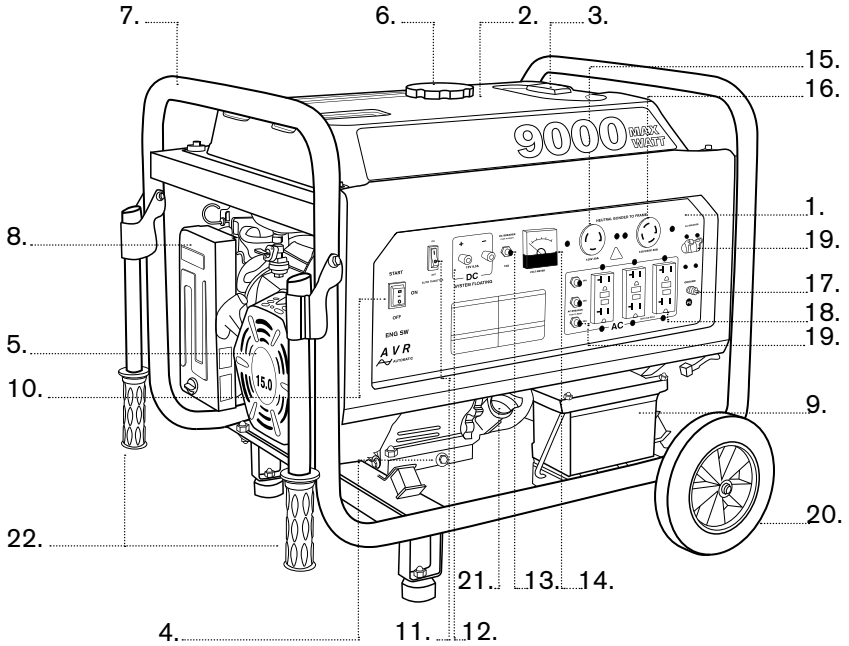
- 1. Control Panel
- 2. Fuel Tank
- 3. Fuel Gauge
- 4. Oil Drain Plug
- 5. Recoil Starter
- 6. Tank Cap
- 7. Frame
- 8. Air Cleaner
- 9. Battery
- 10. ON/OFF Switch
- 11. Auto throttle

- 12. DC Connection
- 13. DC Breaker
- 14. Voltmeter
- 15. 120V 3 Prong Twistlock
- 16. 240V 4 Prong Twistlock
- 17. Ground
- 18. 120V GFCI
- 19. AC Breaker
- 20. Wheel Kit
- 21. Oil Dipstick
- 22. Handles

GENERATOR COMPONENTS



Read this operator's manual and safety rules before operating your generator.



- 1. Control Panel
- 2. Fuel Tank
- 3. Fuel Gauge
- 4. Oil Drain Plug
- 5. Recoil Starter
- 6. Tank Cap
- 7. Frame
- 8. Air Cleaner
- 9. Battery
- 10. ON/OFF Switch
- 11. Auto throttle



- 12. DC Connection
- 13. DC Breaker
- 14. Voltmeter
- 15. 120V 3 Prong Twistlock
- 16. 240V 4 Prong Twistlock
- 17. Ground
- 18. 120V GFCI
- 19. AC Breaker
- 20. Wheel Kit
- 21. Oil Dipstick
- 22. Handles



PREPARING THE GENERATOR

Grounding Instructions

This product must be grounded. If it should malfunction or breakdown, grounding provides a path of least resistance for electric current to reduce the risk of electric shock.

 DANGER	
	Improper connection of the equipment grounding conductor can result in a risk of electrocution.
Check with a qualified electrician or service person if you are in doubt as to whether the unit is properly grounded.	

The ground terminal on the frame must always be used to connect the generator to a suitable ground source. The ground path should be made with #8 size wire. Connect the grounding wire securely to the ground terminal. Connect the other end of the wire securely to a suitable ground source.

A metal underground water pipe in direct contact with the earth for at least 10 feet can be used as a grounding source. If a pipe is unavailable, an 8 foot length of pipe or rod may be used as the ground source. The pipe should be 3/4" trade size or larger and the outer surface must be noncorrosive. If a steel or iron rod is used it should be at least 5/8" diameter and if a nonferrous rod is used it should be at least 1/2" diameter and be listed as material for grounding. Drive the rod or pipe to a depth of 8'. If a rock bottom is encountered less than 4' down, bury the rod or pipe in a trench. All electrical tools and appliances operated from this generator, must be properly grounded by use of a third wire or be "Double Insulated".

It is recommended to:



1. Use electrical devices with 3 prong power cords.
2. Use an extension cord with a 3 hole receptacle and a 3 prong plug at the opposite ends to ensure continuity of the ground protection from the generator to appliance.

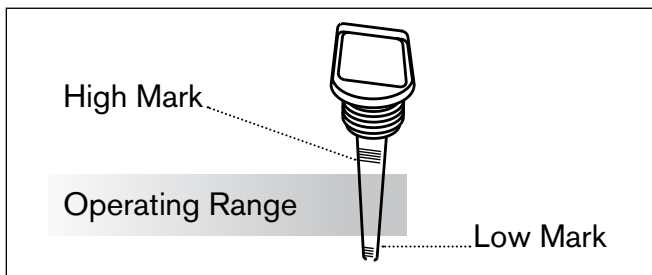
We strongly recommend that all applicable federal, state and local regulations relating to grounding specifications be checked and followed.

Engine Oil



Before checking or refilling oil, be sure generator is located on stable and level surface with engine stopped. **This generator uses SAE 10W30 oil.**

1. Remove oil dipstick and check the engine oil level.
2. If oil level is below the lower level line, refill with suitable oil to upper level line. Do not screw in the oil dipstick when checking oil level.
3. Change oil if contaminated.

 WARNING	
	Always check the level of the engine oil prior to starting the generator.
<ul style="list-style-type: none"> ▪ Failure to do so could cause the engine to seize if the oil is low or empty. 	



Fueling

 WARNING	
	Explosive Fuel! Gasoline is extremely flammable and its vapors can explode if ignited.
<ul style="list-style-type: none"> ▪ DO NOT refuel while smoking or near open flame or other such potential fire hazards. ▪ Store gasoline only in approved containers, in well ventilated, unoccupied buildings and away from sparks or flames. ▪ DO NOT fill the tank while the engine is hot or running, since spilled fuel could ignite if it comes in contact with hot parts or sparks from ignition. ▪ DO NOT start the engine near spilled fuel. ▪ NEVER use gasoline as a cleaning agent. 	



PRE-OPERATION CHECKLIST

WARNING



DO NOT overfill the tank, leave room for the fuel to expand.

1. If fuel level is low, refill with unleaded automotive gasoline.
2. Check fuel gauge while filling.
3. When using the generator for the first time or stopping due to the fuel running out, pull the recoil handle several times after filling the tank.

General Recommendations

- Purchase gasoline in small quantities and store in clean, approved containers.
- To minimize gum deposits in your fuel system and to insure easy starting, do not use gasoline left over from the previous season.
- Do not add oil to the gasoline.

Fuel Type

- For best results use only clean, fresh, unleaded gasoline with a pump sticker octane rating of 87 or higher.
- Unleaded gasoline is recommended as it leaves less combustion chamber deposits.

Gasoline/Alcohol Blends

Gasohol (up to 10% ethyl alcohol, 90% unleaded gasoline by volume) is approved, as a fuel. Other gasoline/alcohol blends are not approved.

Gasoline/Ether Blends

Methyl Tertiary Butyl Ether (MTBE) and unleaded gasoline blends (up to a maximum of 15% MTBE by volume) are approved as a fuel. Other gasoline/ether blends are not approved.

Check Component Parts

Check following items before starting engine:

1. Fuel leakage from fuel hose, etc.
2. Bolts and nuts for looseness.
3. Components for damage or breakage.
4. Generator not resting on or against any adjacent wiring.

Check Generator Surroundings

When listening to the radio near the generator, the radio sound may be disturbed on account of the radio wave condition and the radio performance.

WARNING



Keep area clear of flammables or other hazardous materials.

- Keep generator at least 3ft (1 m) away from buildings or other structures.
- Only operate generators in a dry, well ventilated area.
- Keep exhaust pipe clear of foreign objects.
- Keep generator away from open flame. No Smoking!
- Keep generator on a stable and level surface.
- Do not block generator air vents with paper or other material.

STARTING YOUR GENERATOR

Recoil Start

CAUTION

When starting the engine with the recoil start, set the toggle switch in the "ON" position before pulling the starter handle.

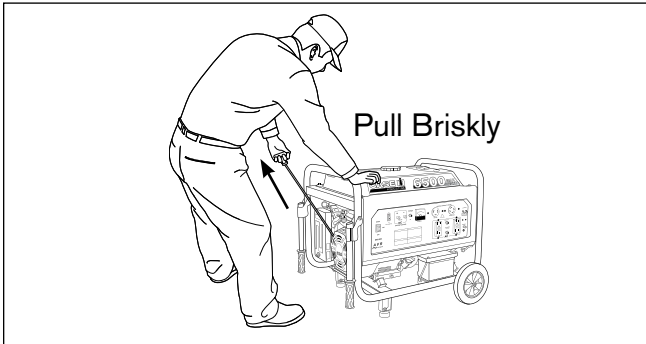
1. Make sure all appliances are disconnected from the generator.
2. Move engine choke switch to the START (ON) position. (When the engine is warm or temperature is high, start engine with the switch in the OFF position).

CAUTION

Do not connect appliances with defective lines and/or plugs.

Be sure appliances are not connected to generator when starting up. Starting the generator with an appliance connected could result in damage to the generator and/or appliances and personal injury.

3. Pull the recoil starter handle slowly until passing the compression point (resistance will be felt), then return the handle to its original position and pull briskly.



4. After starting, allow the recoil starter handle to return to its original position with the handle still in your hand.

NOTE: If the engine fails to start after several attempts, repeat the starting procedures mentioned above with the engine choke switch placed in the OFF position.

5. After 20 to 30 seconds of warm-up is completed, turn the engine choke switch to "OFF" position.
7. Test the GFCI receptacle on the unit. Push the test button. The reset button should pop out and there should be no power at the receptacle. Apply a test load or lamp to each receptacle to verify. **IF THE RESET BUTTON DOES NOT POP OUT, DO NOT USE THE RECEPTACLE. SEE DEALER FOR SERVICE IMMEDIATELY.**
8. If GFCI receptacle tests correctly, firmly push the reset button to restore power. A distinctive click should be heard or felt when this is complete. **IF THE RECEPTACLE DOES NOT RESET PROPERLY, DO NOT USE THE RECEPTACLE. SEE DEALER FOR SERVICE IMMEDIATELY.**
9. Loads can now be applied to unit.



Electric Start

1. Make sure all appliances are disconnected from the generator.
2. Turn engine choke switch to the START (ON) position. (When the engine is warm or temperature is high, start engine with the choke switch in the "OFF" position).
3. Set the toggle switch to the middle "ON" position. Press and hold the toggle to the start position to engage the starter. Release, set toggle to the "ON" position when engine is running.

CAUTION

Do not connect appliances with defective lines and/or plugs.

- Be sure appliances are not connected to generator when starting up. Starting the generator with an appliance connected could result in damage to the generator and/or appliances and personal injury.
- DO NOT turn the starting motor over 5 seconds continuously. If the engine fails to start, return the toggle switch to the "ON" position and wait about 10 seconds and then start again.
- DO NOT press the toggle switch to the "START" position when the engine is running to prevent damage of starting motor.

1. After 20 to 30 seconds of warm-up is completed, turn the engine choke switch to the "OFF" position.
2. Test the GFCI receptacle on the unit. Push the test button. The reset button should pop out and there should be no power at the receptacle. Apply a test load or lamp to each receptacle to verify. **IF THE RESET BUTTON DOES NOT POP OUT, DO NOT USE THE RECEPTACLE. SEE DEALER FOR SERVICE IMMEDIATELY.**
3. If GFCI receptacle tests correctly, firmly push the reset button to restore power. A distinctive click should be heard or felt when this is complete. **IF THE RECEPTACLE DOES NOT RESET PROPERLY, DO NOT USE THE RECEPTACLE. SEE DEALER FOR SERVICE IMMEDIATELY.**
4. Loads can now be applied to unit.

Using Electric Power

⚠ WARNING



Risk of electrocution.

Make sure that the appliance is switched off before connecting it to the generator.

- DO NOT move the generator while it is running.
- Be sure to ground the generator. Failure to ground unit may lead to electrical shock.

AC Application

1. Make sure the voltage indicated on the voltmeter is at the normal level (approx. 120V).

NOTICE

This generator is thoroughly tested and adjusted in the factory. If the generator does not produce the specified voltage, consult your nearest authorized dealer.

2. Turn off the switch(es) of the electrical appliance(s) before connecting to the generator.
3. Insert the plug(s) of the electrical appliance(s) into the receptacle.
 - Be sure that the total wattage of all connected appliances does not exceed the rated output of the generator.

⚠ WARNING



To take power out from the twistlock receptacle, insert the plug into the receptacle, and turn it clockwise to the lock position.

- Be sure to ground the generator if the connected electrical device is grounded.
- DO NOT put foreign objects into the plug receptacle.

4. Turn on the switch of the appliance.



DC Application




The DC terminal is used only for charging 12 volt batteries. It provides up to 12V - 8.3A (100W) of maximum power.

Connection of Cable

Connect positive terminal (red) on generator to positive (+) terminal on battery.

Connect negative terminal (black) on generator to negative (-) terminal on battery.

Safety Precautions While Charging

 WARNING	
 	An explosive hydrogen gas is discharged through vent holes in the battery during the charging process. Do not allow spark or open flame around the generator or battery during the charging process.
Electrolyte fluid can burn eyes and clothing. Be careful to avoid contact. If injured, wash the affected area immediately with large quantities of water and consult a doctor for treatment.	

When charging a large capacity battery or totally discharged battery, excessive current may force the DC breaker to turn off.

In such cases, use a battery charger to charge a large battery with AC output.

Battery defects may cause the DC breaker to trip. Check the battery before resetting the DC breaker.



OPERATION

Wattage Information

Some appliances need a “surge” of energy when starting. This means that the amount of electrical power needed to start the appliance may exceed the amount needed to maintain its use.

Electrical appliances and tools normally come with a label indicating voltage, cycles / Hz, amperage (amps) and electrical power needed to run the appliance or tool.

Check with your nearest dealer or service center with questions regarding power surge of certain appliances or power tools.

- Electrical loads such as incandescent lamps and hot plates require the same wattage to start as is needed to maintain use.
- Loads such as fluorescent lamps require 1.2 to 2 times the indicated wattage during start-up.
- Loads for mercury lamps require 2 to 3 times the indicated wattage during start-up.
- Electrical motors require a large starting current. Power requirements depend on the type of motor and its use. Once enough “surge” is attained to start the motor, the appliance will require only 30% to 50% of the wattage to continue running.
- Most electrical tools require 1.2 to 3 times their wattage for running under load during use. For example, a 5000 watt generator can power a 1800 to 4000 watt electrical tool.
- Loads such as submersible pumps and air compressors require a very large force to start. They need 3 to 5 times the normal running wattage in order to start. For example, a 5000 watt generator would only be able to drive a 1000 to 7000 watt pump.

To determine the total wattage required to run a particular electrical appliance or tool, multiply the voltage figure of the appliance / tool by the amperage (amps) figure of same. The voltage and amperage (amps) information can be found on a name plate which is normally attached to electrical appliances and tools.

CAUTION

If an electric motor fails to start or reach running speed, turn off the appliance or tool immediately to avoid equipment damage. Always check the requirements of the tool or appliance being used compared to the rated output of the generator.



Spark Arrester

In a dry or wooded area, it is recommended to use the product with a spark arrester. Some areas require the use of a spark arrester. Please check your local laws and regulations before operating your product.

The spark arrester must be cleaned regularly to keep it functioning as designed.

A clogged spark arrester:

- Prevents the flow of exhaust gas
- Reduces engine output
- Increases fuel consumption
- Makes starting difficult

CAUTION

If engine has been running, the muffler and the spark arrester will be very hot. Allow the muffler to cool before cleaning the spark arrester.

How To Remove The Spark Arrester

1. Remove the flange bolts from the muffler cover and remove the muffler cover.
2. Remove the special screw from the spark arrester and remove the spark arrester from the muffler.

Clean The Spark Arrester Screen

1. Use a brush to remove carbon deposits from the spark arrester screen. Be careful to avoid damaging the screen.
2. The spark arrester must be free of breaks and holes. Replace the spark arrester if it is damaged.
3. Install the spark arrester, and muffler protector in the reverse order of disassembly.

If you have any problems with the operation of your generator, please call the generator help line at **1-866-850-6662**. If calling for assistance, please have the model and serial number from the data tag available.



STOPPING THE GENERATOR

Stopping The Generator

1. Turn off the power switch of the electric equipment and unplug the cord from receptacle of the generator.
2. Allow the engine about 3 minutes to cool down at no load before stopping.
3. Push the engine switch to the OFF position.
4. Push switch to the OFF position.

Oil Sensor

The oil sensor detects the fall in oil level in the crankcase and automatically stops the engine when the oil level falls below a predetermined level.

When the engine has stopped automatically, turn off the generator, and check the oil level. Refill engine oil to the upper level as instructed and restart the engine.

CAUTION

DO NOT remove oil sensor probe when refilling with oil.
Remove oil filler cap on the opposite side of carburetor.



Troubleshooting Chart

If you are experiencing a problem that is not listed in this chart, or have checked all the possible cause listed and you are still experiencing the problem, see your authorized dealer.

Problem	Cause	Correction
Engine will not start	<ol style="list-style-type: none"> 1. Check if engine switch is off. 2. Fuel Tank empty. 3. Check to make sure generator is not connected to an appliance. 4. Check spark plug for loose spark plug cap 5. Check spark plug for contamination. 6. Check engine oil level. 	<ol style="list-style-type: none"> 1. Turn engine switch to the Choke position. 2. Fill tank making sure not to overfill. 3. If connected, turn off the power switch on the connected appliance and unplug. 4. If loose, push spark plug cap back into place 5. Remove spark plug and clean electrode. 6. If engine oil level is low, add oil as per instructions.
Generator has no output	<ol style="list-style-type: none"> 1. Check if the DC circuit breaker is turned off. 2. Check AC receptacle and DC terminals for loose connection. 3. Check to see if engine starting was attempted with appliances already connected to generator. 	<ol style="list-style-type: none"> 1. Depress the circuit breaker into ON position, after making sure the charging current level is proper and the battery is in the normal condition. 2. Secure connection if necessary. 3. Turn off switch on the appliance, and disconnect cable form receptacle. Reconnect after generator has been started properly.



Maintenance Schedule

CAUTION

Make sure the engine is stopped before starting any maintenance, servicing or repair.

NOTE: *It is recommended to use ear protection when performing operation, maintenance and repair of the generator.*

Maintenance, replacement or repair of the emission control devices and systems must be performed by an authorized Service Center or Dealer.

Daily Inspection

Before running the generator, check the following service items:

- Safe surroundings.
- Leakage of gasoline and engine oil.
- Clean engine oil.
- AC receptacle and DC terminal for damage.
- Enough gasoline.
- Excessive vibration, noise.
- Loose or broken bolts, nuts or shields.
- Clean air element.

Periodic Maintenance

Periodic maintenance is vital to safe and efficient operation of your generator.

The emission control system consists of the following parts:

- Carburetor and internal parts
- Cold start enrichment system, if applicable
- Intake manifold, if applicable
- Air cleaner element
- Spark plug
- Magneto or electronic ignition system
- Spark advance / retard system, if applicable
- Exhaust manifold, if applicable
- Hoses, belts, connectors, and assemblies



Changing Engine Oil

Change oil after the first 20 hours of operation. Thereafter it should be changed every 100 hours. **This generator uses SAE 10W30 oil.**

1. Drain oil by removing the drain plug and the oil filler cap while the engine is warm.
2. Reinstall the drain plug and fill the engine with oil until it reaches the upper level on the oil filler cap.
3. Dispose of used oil according to local zoning or environmental regulations.

Servicing The Air Cleaner

Maintaining the air cleaner in proper condition is very important. Dirt induced through improperly installed, improperly serviced or inadequate elements damages and wears out engines. Always keep the element clean.

1. Unhook the cover and remove the cleaner element.
2. Urethane foam: Wash the element with fresh water. Squeeze out the water then dry the element. (Do not twist.)

Cleaning and Gapping Spark Plug

If the plug is contaminated with carbon, remove the carbon using a plug cleaner or wire brush. **Use NGK BPR6ES or equivalent.**

Adjust the electrode gap to 0.6 to 0.7 mm (0.024 to 0.028 in).

Cleaning Fuel Strainer

Dirt and water in the fuel are removed by the fuel strainer.

1. Remove the strainer cup and throw away water and dirt.
2. Clean the screen and strainer cup with gasoline.
3. Tightly fasten the cup to main body, making sure to avoid fuel leak.

Periodic Operation and Inspection:

When furnishing the generator as emergency electric power source, periodic operation and inspection are needed.

Fuel (gasoline) and engine oil will be deteriorated with time, and this causes the engine to be difficult to start and as results improper engine operation and failure.

CAUTION




Since the fuel (gasoline) will be deteriorated with time, replace fuel (gasoline) with fresh fuel periodically; once every three months is recommended.

1. Check the fuel (gasoline), engine oil and air cleaner.
2. Start engine.
3. With appliance such as lighting activated, run the engine for over ten minutes.
4. Check the following items:
 - Engine running properly.
 - Adequate output and the indicator lamp turned on properly.
 - Then engine switch normally operated.
 - No leakage of engine oil and fuel (gasoline).


TRANSPORTING

Transporting

When transporting the generator, make sure that the fuel (gasoline) should be drained from the tank.

 WARNING	
 	<p>To prevent fuel spillage due to the vibration and impact, never transport the generator with fuel (gasoline) in the tank. Secure the tank cap.</p> <p>To avoid the risk of the gasoline flammability, never leave the generator in an area exposed to direct sunlight or high temperatures for a long period time.</p>
<p>Keep the fuel in the steel storage tank when transporting.</p>	

1. Turn the engine switch to the STOP position.
2. Drain the fuel from the tank.
3. Tighten the tank cap.

 CAUTION
<p>DO NOT place any heavy objects on the generator.</p> <p>Select and place the generator in the proper position of the transport vehicle so that the generator will not move or fall down. Secure the generator with ropes if necessary.</p>



Preparation for Storage

The following procedures should be followed prior to storage of your generator for periods of 6 months or longer.

1. Drain fuel from fuel tank carefully by disconnecting the fuel line.
Gasoline left in the fuel tank will eventually deteriorate making engine starting difficult.
2. Remove the drain screw of the carburetor.
3. Change engine oil.
4. Check for loose bolts and screws, tighten them if necessary.
5. Clean generator thoroughly with clean cloth. **NEVER USE WATER TO CLEAN GENERATOR.**
6. Pull recoil starter handle until resistance is felt, leaving handle in that position.
7. Store generator in a well ventilated, low humidity area.



**If you need assistance with the
assembly or operation of this
Generator please call**

1-866-850-6662