

Compact Manual Rewind Reels To handle single 1/4" or 3/8" I.D. hose.

Lightweight yet ruggedly built reels industry-designed to fit compact spaces. Ideal for small, mobile steam cleaning and pressure wash units as well as permanent installations.

Rewind:

Direct crank rewind with the crank permanently attached to the reel axle.

Brakes and Locks:

Reels are supplied with an adjustable spring tension brake. An optional spring actuated pin lock is available at extra cost.

Inlet:

Standard inlet is 90° ball bearing swivel joint with 1/2" female NPT threads.

Outlet:

Standard outlet is 3/8" female NPT threads.

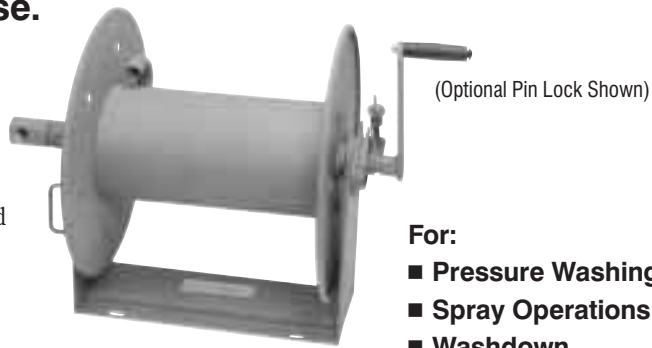
Other sizes and/or threads can be furnished and must be specified.

Operating Pressures & Temperatures:

These reels operate at pressures to 3000 psi (207 bar) and handle product temperatures from +20° F to +400° F (-7° C to +204° C).

Reels to operate at other temperatures can be furnished at extra cost.

Finish: Refer to page 4.



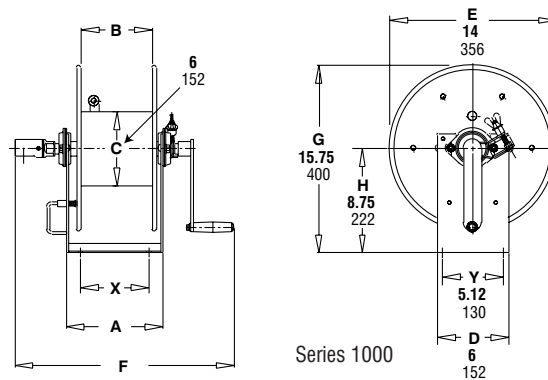
For:

- Pressure Washing
- Spray Operations
- Washdown
- Air

Series 1000

Standard Configuration Shown

Dimensions and capacities



BE SURE TO CHECK DIMENSIONS AND WEIGHTS PRIOR TO ORDERING.

To receive a detailed parts breakdown drawing for Series 1000, request ISO 165.

I.D. (in)	Hose Capacity of Reel		Model Number	Reel Dimensions				Approx. Weight	
	feet	m.		inches	mm.			lb.	kg.
I.D. (mm)				A	B	F	X	NET	SHIP
6	1/4"	3/8"							
10									
16	5/8"	3/4"							
19									
100	75		*1014-14-16	8.12	6	19	4	23	27
31	23			206	152	483	102	10	12
150	100		*1016-14-16	10.12	8	21	6	24	28
46	31			257	203	533	152	11	13
275	175		*1020-14-16	14.12	12	25	10	25	29
84	53			359	305	635	254	11	13

Specifications subject to change.

Note: Other sizes, from standard components, available on request.

*UPS shippable = Net wt. plus carton wt.