

High Pressure Spring Rewind Reels To handle single 1/4" or 3/8" I.D. hose.

Series N500 reels offer a compact frame and narrow base for ease of installation plus the advantages of spring rewind for efficient hose handling.

Rewind:

A heavy-duty spring motor provides self-contained rewind power. A non sparking ratchet assembly locks the reel when the desired length of hose has been payed out. A pull on the hose unlocks the reel and the spring motor retracts the hose. A declutching arbor is provided to prevent damage from reverse winding.

Inlet:

Standard inlet is 90° swivel joint with 1/4" female NPT threads. 3/8" female NPT threads are optional **and must be specified on order.**

Outlet:

Standard outlet is 1/4" female NPT threads. 3/8" female NPT threads are optional **and must be specified on order.**

Other threads can be furnished and must be specified.

Operating Pressures & Temperatures:

These 1/4" reels operate at standard pressure of 10,000 psi (689 bar) and handle product temperatures from -20° F to +225° F (-29° C to +107° C). Optional 1/4" 3000 psi (207 bar), or 3/8" 3000 psi (207 bar) or 8000 psi (552 bar) reels are available upon request.

Rollers:

All models are supplied with a 4-way roller assembly. Roller position must be specified. (See Ordering Guide & Accessory Catalog.)

Hose Stop:

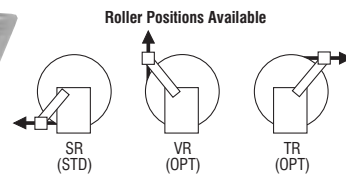
A hose stop should be used to prevent damage to rollers and nozzles and to permit adjustment of free hose length. (See Ordering Guide & Accessory Catalog.)

Finish: Refer to page 4.



For:

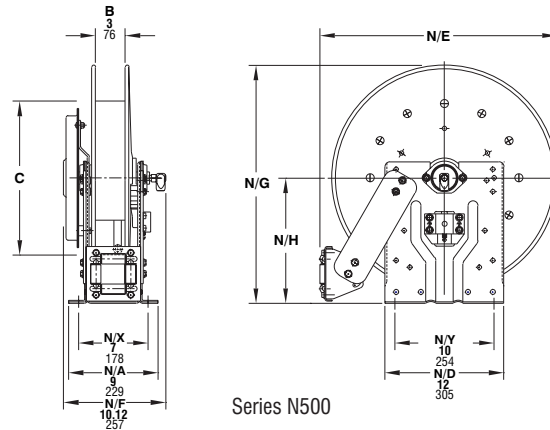
- Chassis Grease
- Hydraulics
- Air/Water



Series N500

Standard Configuration Shown

Dimensions and capacities



Series N500

BE SURE TO CHECK DIMENSIONS AND WEIGHTS PRIOR TO ORDERING.

To receive a detailed parts breakdown drawing for Series N500, request ISO 92.

Hose Capacity of Reel feet m.	Model Number	Reel Dimensions inches mm.				Approx. Weight lb. kg.		Roller Assy Supplied on Standard Models
		C	N/E	N/G	N/H	* NET	Fr. SHIP Wt.	
I.D. (in) 1/4" 3/8"								
I.D. (mm) 6 10								
O.D. (in) 5/8" 3/4"								
O.D. (mm) 16 19								
25 25	*N515-14-16C	8	17.62	16.12	9.12	48	83	N203
8 8		203	448	409	232	22	38	
35 35	*N515-16-17C	10.5	18.5	17	9.12	51	86	N203
11 11		267	470	432	232	23	39	
50 50	*N515-19-20J	10.5	20.75	20	10.62	63	98	N203
15 15		267	527	508	270	29	44	
75 75	*N515-23-24J	15.5	23.75	24	12.62	75	110	N203
23 23		394	603	610	321	34	50	

Specifications subject to change.

Notes:

1. Reel models and capacities shown are for standard drag applications; for vertical lift applications consult factory.

2. Other sizes, from standard components, available on request.

*UPS shippable = Net wt. plus carton wt.