



PE

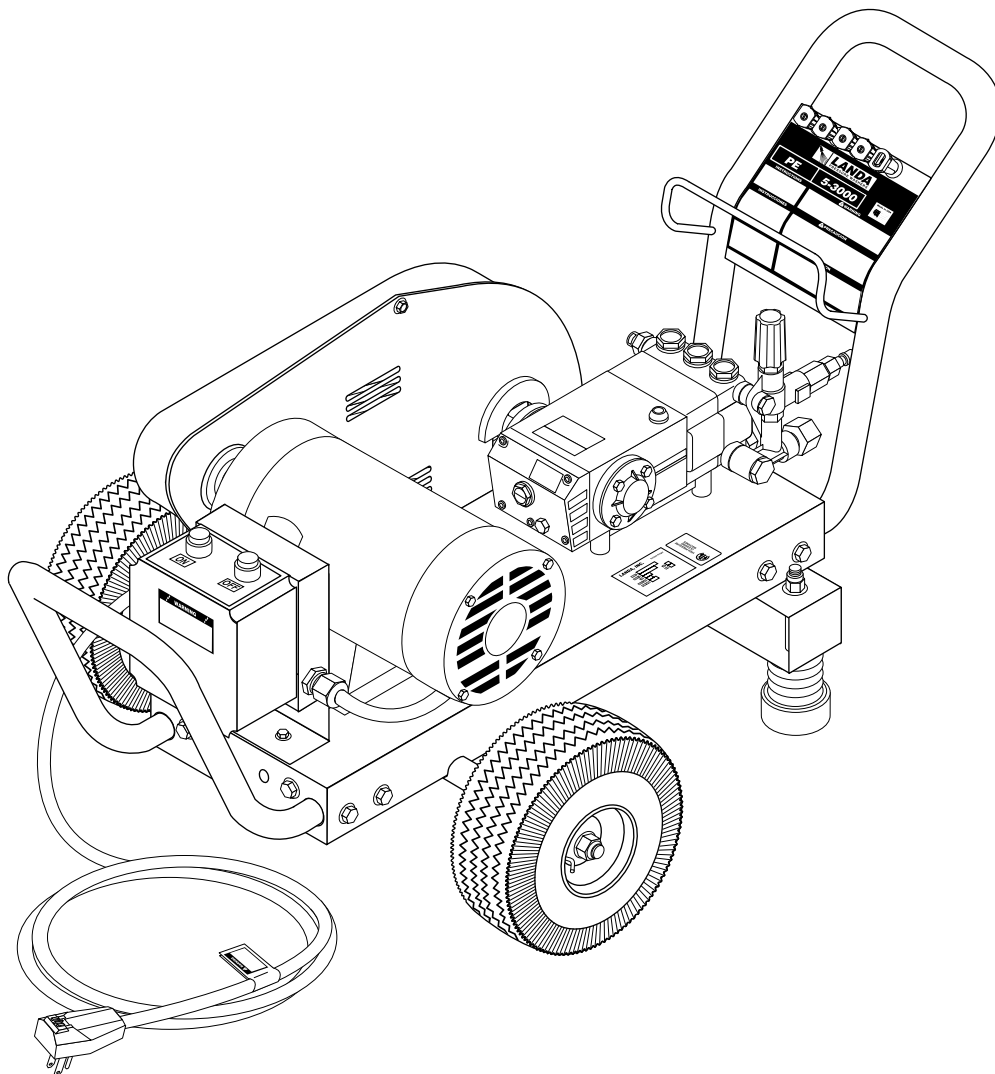
OPERATOR'S MANUAL

■ PE3-1100

■ PE4-3000

■ PE4-2000

■ PE5-3000



LANDA, INC. ■ 4275 N.W. Pacific Rim Blvd. ■ Camas, WA 98607 ■ USA

For technical assistance or the Landa Dealer nearest you, call 800-LANDA-4-U (800-526-3248) or (360) 833-9100
or consult our web page at www.landa.com

CONTENTS

Introduction	3
Important Safety Instructions	3-4
Component Identification	4
Pre-Operation Check	5
Set-Up Procedures	5
Operating Instructions	5
General Washing Techniques	5
Shut Down Procedures	6
Storage	6
How To Use the Detergent Injector	7
Exploded View, Left Side	8
Exploded View, Right Side	9
Exploded View, Parts List	10 - 12
Hose & Spray Gun Assembly	13
Downstream Injector Assembly	13
Troubleshooting	14, 15
Preventative Maintenance	16
Oil Change Record	16
Warranty	17
Spanish Translations	18 - 23

Model Number _____

Serial Number _____

Date of Purchase _____

The model and serial numbers will be found on a decal attached to the pressure washer. You should record both serial number and date of purchase and keep in a safe place for future reference.

INTRODUCTION

Thank you for purchasing a Landa Pressure Washer.

This manual covers the operation and maintenance of the PE3-11021D, PE4-20021A, PE4-20021B, PE4-20021C, PE4-30021A, PE4-30021B, PE4-30021C, PE5-30021A, PE5-30021B, PE5-30021C and PE5-30021F washers. All information in this manual is based on the latest product information available at the time of printing.

Landa, Inc. reserves the right to make changes at any time without incurring any obligation.

The PE Series was designed for maximum use of 8 hours per day, 5 days per week.

Owner/User Responsibility:

The owner and/or user must have an understanding of the manufacturer's operating instructions and warnings before using this Landa pressure washer. Warning information should be emphasized and understood. If the operator is not fluent in English, the manufacturer's instructions and warnings shall be read to and discussed with the operator in the operator's native language by the purchaser/owner, making sure that the operator comprehends its contents.

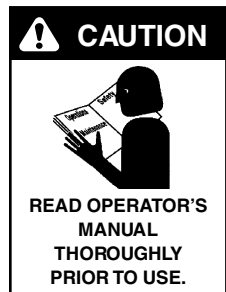
Owner and/or user must study and maintain for future reference the manufacturers' instructions.

This manual should be considered a permanent part of the machine and should remain with it if machine is resold.

When ordering parts, please specify model and serial number.

IMPORTANT SAFETY INSTRUCTIONS

WARNING: When using this machine basic precautions should always be followed, including the following:



CAUTION: To reduce the risk of injury, read operating instructions carefully before using.

1. Read the owner's manual thoroughly. Failure to follow instructions could cause malfunction of the machine and result in death, serious bodily injury and/or property damage.
2. Know how to stop the machine and bleed pressures quickly. Be thoroughly familiar with the controls.

3. Stay alert — watch what you are doing.
4. All installations must comply with local codes. Contact your electrician, plumber, utility company or the selling distributor for specific details.

To comply with the National Electrical Code (NFPA 70) and provide additional protection from risk of electric shock, these pressure washer are equipped with a UL approved ground fault circuit interrupter (GFCI) power cord (PE3-11021D and PE4-20021A models only). All other models must be connected to a GFCI circuit breaker.



WARNING: Flammable liquids can create fumes which can ignite causing property damage or severe injury.

WARNING: Risk of explosion — do not spray flammable liquids.

5. Risk of explosion - do not spray flammable liquids or operate in an explosive location.



WARNING: Keep water spray away from electric wiring or fatal electric shock may result.

6. To protect the operator from electrical shock, the machine must be electrically grounded. It is the responsibility of the owner to connect this machine to a UL grounded receptacle of

proper voltage and amperage ratings. Do not spray water on or near electrical components. Do not touch machine with wet hands or while standing in water. Always disconnect power before servicing.

7. Grip cleaning wand securely with both hands before starting the cleaner. Failure to do this could result in injury from a whipping wand.



WARNING: High pressure stream of fluid that this equipment can produce can pierce skin and its underlying tissues, leading to serious injury and possible amputation.

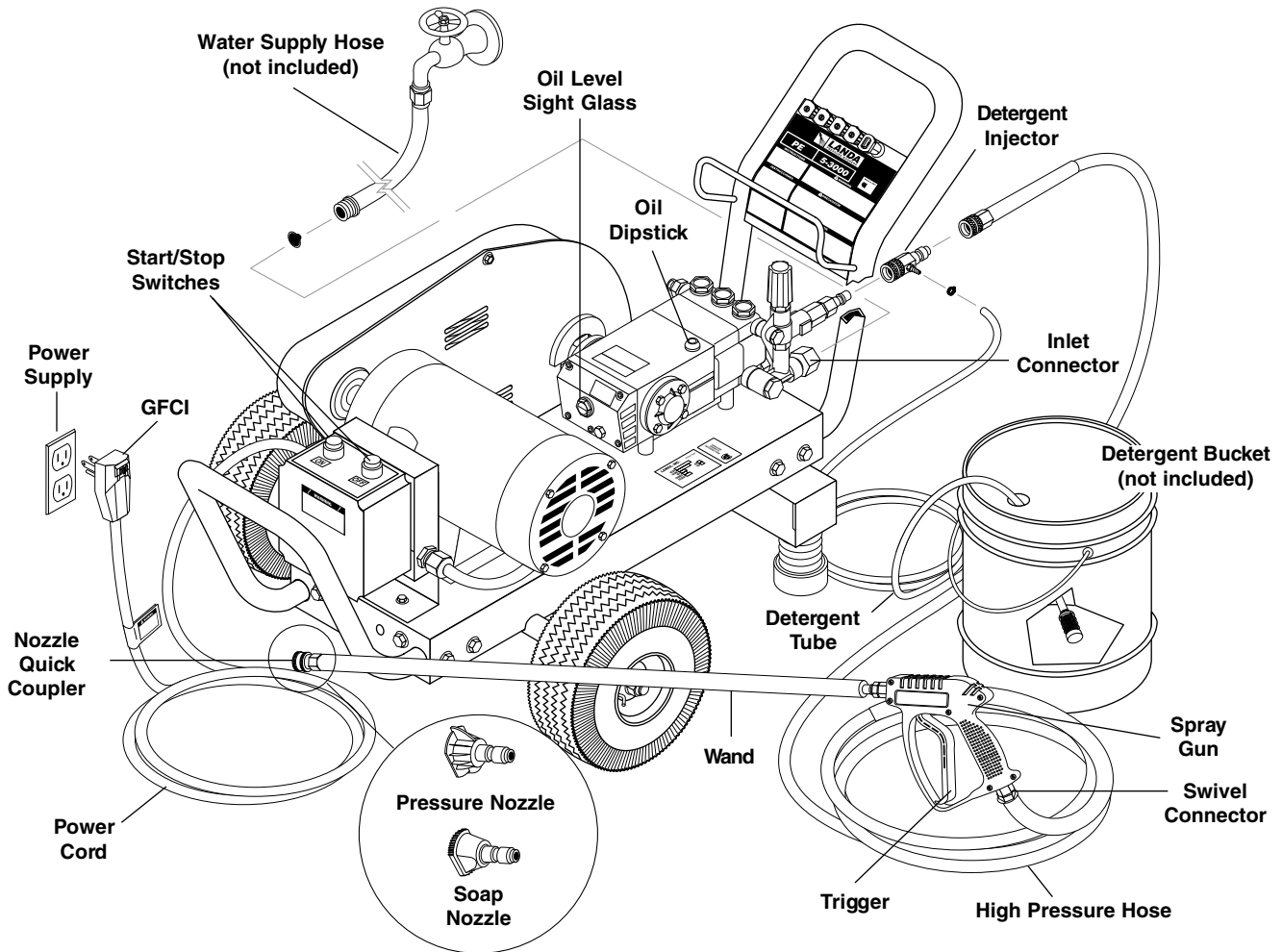
8. High pressure developed by these machines will cause personal injury or equipment damage. Use caution when operating. Do not direct discharge stream at people, or severe injury or death will result.
9. Never make adjustments on machine while in operation.



WARNING: High pressure spray can cause paint chips or other particles to become airborne and fly at high speeds.

10. Eye safety devices and foot protection must be worn when using this equipment.
11. Machines with spray gun should not be operated with the trigger in the off position for extensive periods of time as this may cause damage to the pump.
12. Protect from freezing.
13. Be certain all quick coupler fittings are secured before using pressure washer.
14. Do not allow acids, caustic or abrasive fluids to pass through the pump.
15. Inlet water must be cold and clean fresh water.
16. To reduce the risk of injury, close supervision is necessary when a machine is used near children. Do not allow children to operate the pressure washer. **This machine must be attended during operation.**
17. The best insurance against an accident is precaution and knowledge of the machine.
18. *LANDA* will not be liable for any changes made to our standard machines or any components not purchased from *LANDA*.

COMPONENT IDENTIFICATION

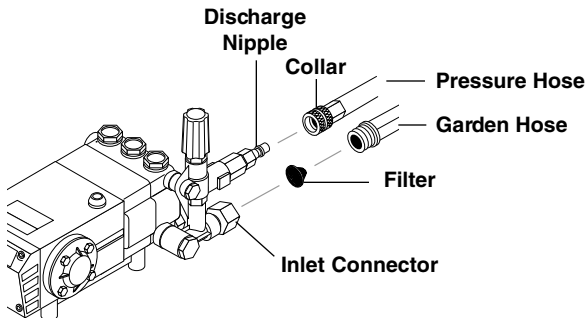


PRE-OPERATION CHECK

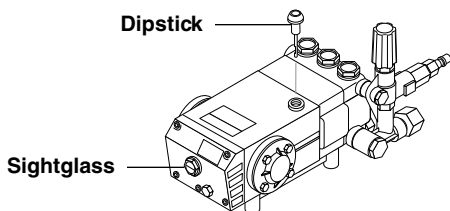
- Pump oil (SAE 30W non-detergent oil)
- Cold water supply (6 gpm • 5/8" • 20 psi)
- Hose, wand, nozzle (nozzle size per serial plate)
- Water filter (intact, non restrictive)

SET-UP PROCEDURES

- Attach a 5/8" garden hose to inlet connector. Minimum flow should be 6 gpm.
- Attach high pressure hose to discharge nipple using quick coupler. Lock coupler securely into place by pulling back coupler collar and inserting it onto discharge nipple, then pushing collar forward to lock in place. (Also see page 4).



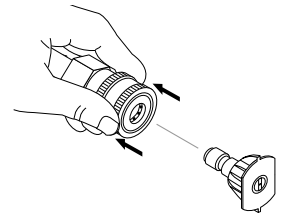
- Attach wand to spray gun using teflon tape on threads to prevent leakage.
- Attach swivel connector on discharge hose to spray gun using teflon tape on threads.
- Remove oil plug on top of pressure washer pump and replace with dipstick supplied. (This may be installed from the factory.)



- Check oil level on sight glass on back of pump. Oil should be visible one half way up sight glass (30W non-detergent).
- For operator safety and to comply with electrical standards, the PE3-11021D comes with a 120V 20 amp plug end that will fit only into a 20 amp receptacle.
- On 230V and 460V machines, attach appropriate plug end (not included) to power cord.

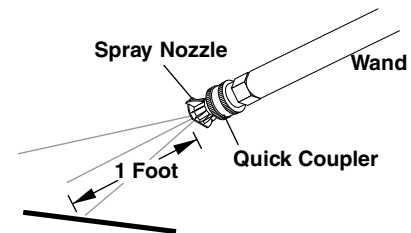
OPERATING INSTRUCTIONS

1. With power switch in OFF position, plug power cord into a grounded type of receptacle of proper voltage and amperage reading. Then push GFCI reset button at end of power cord if required.
2. Turn on water at faucet and pull trigger on spray gun allowing water to flow until all air has discharged from system. Check for water leaks; tighten as needed.
3. Pull wand coupler collar back and insert pressure nozzle into coupler then secure by pushing collar forward to lock.
4. With spray gun off, push green start switch/toggle switch to ON position and check for leaks.
5. With spray nozzle pointed away from you or anybody else, press trigger on spray gun to obtain pressurized spray.



GENERAL WASHING TECHNIQUES

- Test pressure and spray pattern on hard surface (i.e. cement) to gauge distance and impact of water spray.
- Hold spray nozzle approximately one foot from surface being cleaned. For best surface cleaning action, spray at slight angle.



- To change spray nozzle for a different pattern it is recommended that you turn off machine and squeeze spray gun trigger to release hose pressure. Pull back on quick coupler at end of wand and exchange nozzle. Make sure nozzle is seated securely. Restart machine.
- Use the detergent injector to apply detergent. Wash from the bottom and work up. Allow the detergent to set 5-10 minutes on surface. Rinse from top down.

NOTE: If pressure washer is running and not being used for more than 3 minutes, turn off machine.

SHUT DOWN PROCEDURES

1. Rinse all lines (and injector) with clean water, to remove any soap residue.
2. Turn motor off.
3. Push red stop switch/toggle switch to OFF position.
4. Open spray gun to relieve remaining pressure.
5. Remove water supply hose.
6. In freezing conditions, disconnect water supply and open spray gun to allow water to drain, then turn off motor.

CAUTION: *Do not allow pump to run longer than 5 minutes without water. Disconnect all hoses to allow water to drain.*

CAUTION: *With machine off, open spray gun to release pressure before removing discharge hose.*

STORAGE

Pump Storage



CAUTION

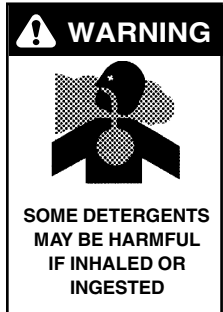
CAUTION: *Always store your pressure washer in a location where the temperature will not fall below 32° F (0° C). The pump in this machine is susceptible to permanent damage if frozen.*

FREEZE DAMAGE IS NOT COVERED BY WARRANTY.

If you must store your pressure washer in a location where the temperature is below 32° F, you can minimize the chance of damage to your machine by draining your machine as follows:

1. Stop the pressure washer and detach supply hose and high pressure hose. Squeeze the trigger of the spray gun to drain all water from the wand and hose.
2. Restart pressure washer and let it run briefly (about 5 seconds) until water no longer discharges from the high pressure outlet.

HOW TO USE THE DETERGENT INJECTOR



WARNING: *Some detergents may be harmful if inhaled or ingested causing severe nausea, fainting or poisoning. The harmful elements may cause property damage or severe injury.*

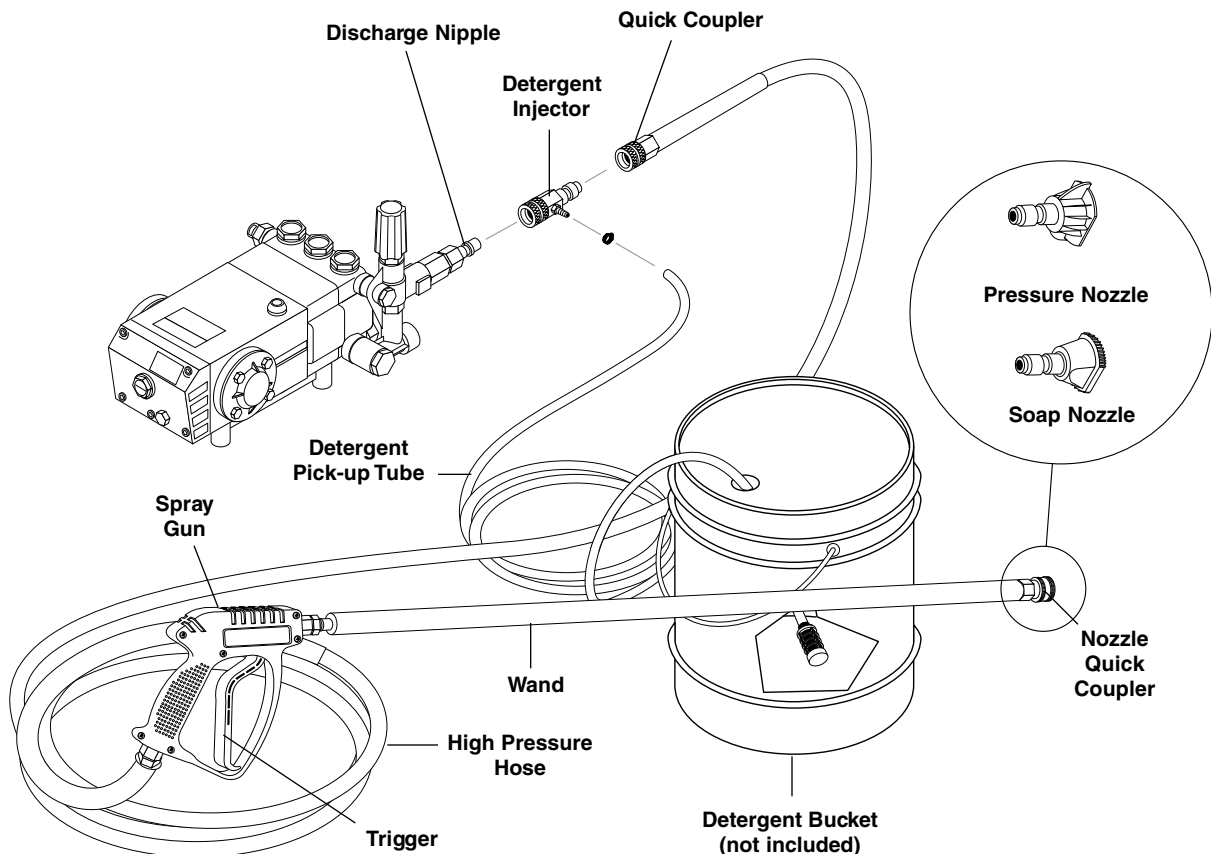
The machine can siphon and mix detergents with the use of Landa's detergent injector kit.

1. Turn off machine and water supply. Squeeze spray gun to relieve pressure before attaching detergent injector.
2. Pull injector quick coupler collar back and secure on discharge nipple. Injector valve body arrow should point in direction of flow.
3. Connect high pressure hose to injector nipple securing quick coupler.

4. Start machine as outlined in Operating Instructions.
5. Place detergent pick-up tube into container of detergent solution.
6. Install the brass soap nozzle provided with the injector into the quick coupler of the wand.
7. Open spray gun. Water detergent ratio is approximately 15 to 1.
8. When you finish washing, rinse by simply releasing the spray gun, removing the soap nozzle, and replacing the pressure nozzle back into quick coupler.

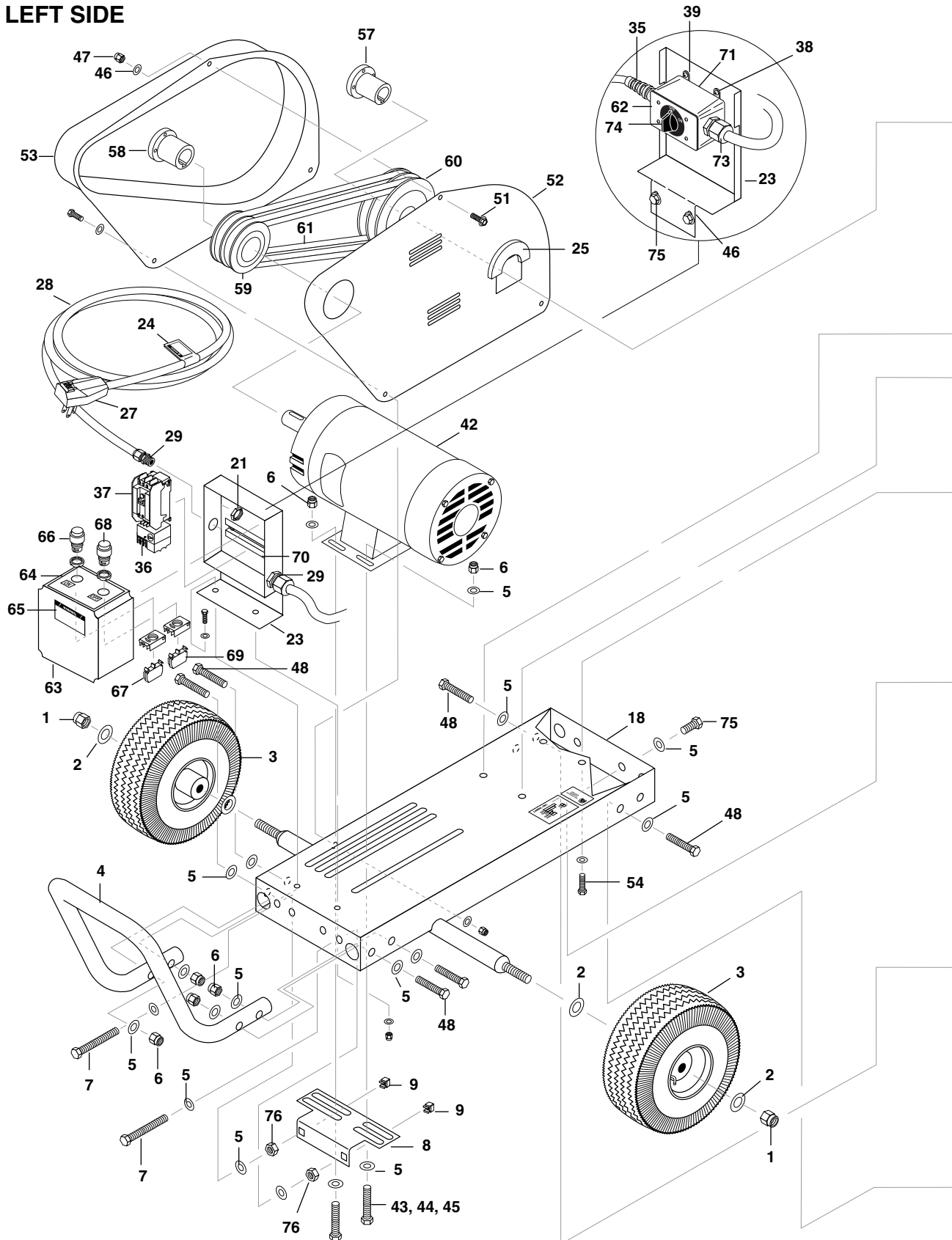
NOTE: The detergent injector will not siphon with the high pressure nozzle at the end of the wand.

9. If your machine has a variable pressure wand, turn the pressure control handle counterclockwise to lower the pressure by directing the water flow through the soap nozzle which allows the detergent injector to siphon soap. To rinse with high pressure water, simply turn the control handle clockwise.
10. For clean up, place detergent pick-up tube into container of clear water and follow steps 5 and 8 to prevent detergent deposits from damaging the injector.

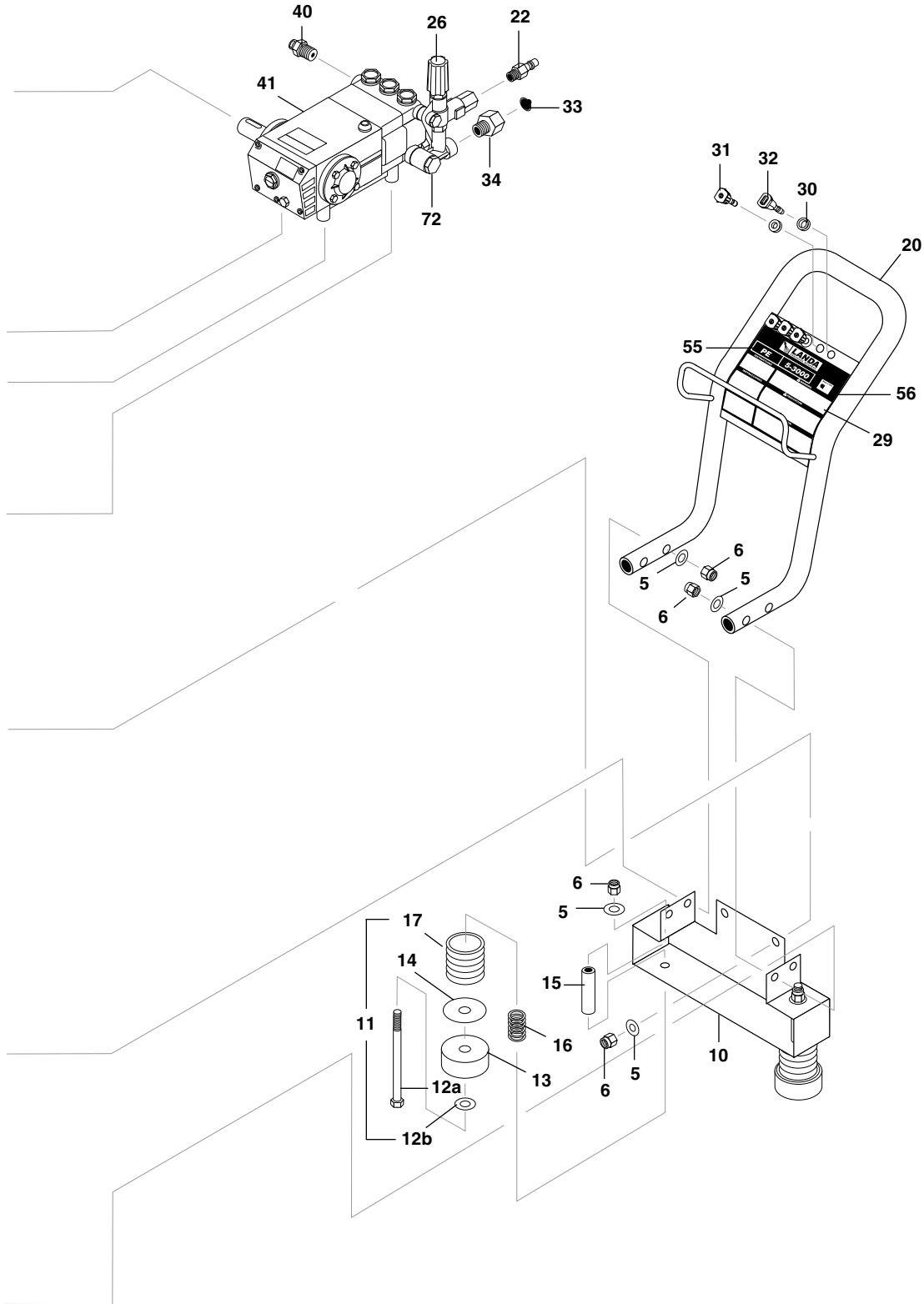


PE3-11021D • PE4-20021A, B, C • PE4-30021A, B, C • PE5-30021A, B, C, F

**EXPLODED VIEW
LEFT SIDE**



PE3-11021D • PE4-20021A, B, C • PE4-30021A, B, C • PE5-30021A, B, C, F
EXPLODED VIEW
RIGHT SIDE



**PE3-11021D • PE4-20021A, B, C • PE4-30021A, B, C • PE5-30021A, B, C, F
EXPLODED VIEW PARTS LIST**

ITEM	PART NO.	DESCRIPTION	QTY	ITEM	PART NO.	DESCRIPTION	QTY
1	90-2004	Nut, Jam, ESNA, NC, 5/8"	2	27	6-01060	Cord, w/GFCI, 120V/20 Amp, 36' (3-1100)	1
2	90-4005	Washer, Flat, SAE, 5/8"	4		6-01059	Cord w/GFCI, 240V/30Amp 36' (4-2000A)	1
3	4-0307	Tire & Wheel Cmpl, Steel 6" (5-3000, 4-2000, 4-3000)	2		6-010690	GFCI, 240V, 40A, 1 PH, 37' Cord (4-3A, 4-3G)	1
	4-0303	Wheel & Tire Assembly, 4" Tube, (3-1100)	2	28	6-0108	Cord, Service, SEO, 10/3 /ft. (4-2000A)	2
4	95-07101130	Handle, Bumper, 1-1/4", Chrome	1		6-0105	Cord, Service, SEO, 12/4 /ft. (4-2000B,C, 4-3000C, 5-3000C)	15
5	90-4002	Washer, Flat, SAE, 3/8"	36		6-0109	Cord, Service, SEO, 10/4 /ft. (4-3000B)	15
6	90-2002	Nut, ESNA, NC, 3/8"	18		6-0102	Cord, Service SEO 8/3, (5-3000A Qty 15 ft); (4-3000A,G Qty 2.75 ft.)	
7	90-10220	Bolt, 3/8" x 3-1/2", Tap	2		6-01021	Cord, Service SEO, 8/4 (5-3000B) /ft.	15
8	95-07101135	Bracket, Belt Tension	1	29	6-051595	Fitting, STRT, LQ Tite, Plastic	3
9	90-2020	Nut, Cage, 3/8", 12 GA	2		6-05171	Strain Relief, 1" (4-3000, 5-3000)	2
10	95-07101219	Bracket, Wide Foot	1		6-05170	Strain Relief, Water Tight (4-30021A,G)	2
11	92-102	Foot Assembly (items 11-17)	2	30	2-0103	Grommet, Rubber, 1/8"	5
12a	90-1023	Bolt, 3/8" x 5", NC	2	31	4-12804000	Nozzle, SAQC MEG 0004 Red (4-3000)	1
12b	90-40125	Washer, 3/8" x 1", Steel	2		4-12804015	Nozzle, SAQC MEG 1504 Yellow (4-3000)	1
13	2-01041	Pad, Soft Rubber	2		4-12804025	Nozzle, SAQC MEG 2504 Green (4-3000)	1
14	90-4015	Washer, 2-1/2" x 7/16", Flat Washer	2		4-12804040	Nozzle, SAQC MEG 4004 White (4-3000)	1
15	95-07161114A	Tube, Foot, Bolt PC	2		4-12805500	Nozzle SAQC MEG 0005.5 Red (3-1100, 5-3000)	1
16	90-5009	Spring, Foot, Compression, PE, PG only	2		4-12805515	Nozzle, SAQC MEG 15055 Yellow (3-1100, 5-3000)	1
17	2-0107	Bellows, Leg (Boot), PE, PG only	2		4-12805525	Nozzle, SAQC MEG 25055 Green (3-1100, 5-3000)	1
18	95-07101216	Frame, PG-Small, Welded (3-1100)	1		4-12805540	Nozzle, SAQC MEG 4055 White (3-1100, 5-3000)	1
	95-07101222	Frame, PE-Large, Welded (4-2000, 4-3000, 5-3000)	1		4-12806000	Nozzle, SAQC MEG 0506 Red (4-2000)	1
19	10-99060	▲ Label, Platinum Op. Inst./Warning	1		4-12806015	Nozzle, SAQC MEG 1506 Yellow (4-2000)	1
20	95-07101132	Handle, 1-1/4", Chrome	1		4-12806025	Nozzle, SAQC, Meg 2506 Green (4-2000)	1
21	6-05172	Locknut, 3/4"	1				
22	2-2007	Nipple, 3/4" x 3/8" Male	1				
23	95-07101021	Bracket, Electrical Box, PE	1				
	95-07101022	Bracket, Electric Box, (4-3000A, 5-3000A)	1				
24	10-08018	Label, Warning Service Cord	1				
25	2-0106	Cushion, Pump	2				
26	5-3022	Unloader, General YVB75L EZ (3-1100)	1				
	5-3025	Unloader General YVB75K47L (All models, except 3-1100)	1				

PE3-11021D • PE4-20021A, B, C • PE4-30021A, B, C • PE5-30021A, B, C, F EXPLODED VIEW PARTS LIST CONTINUED

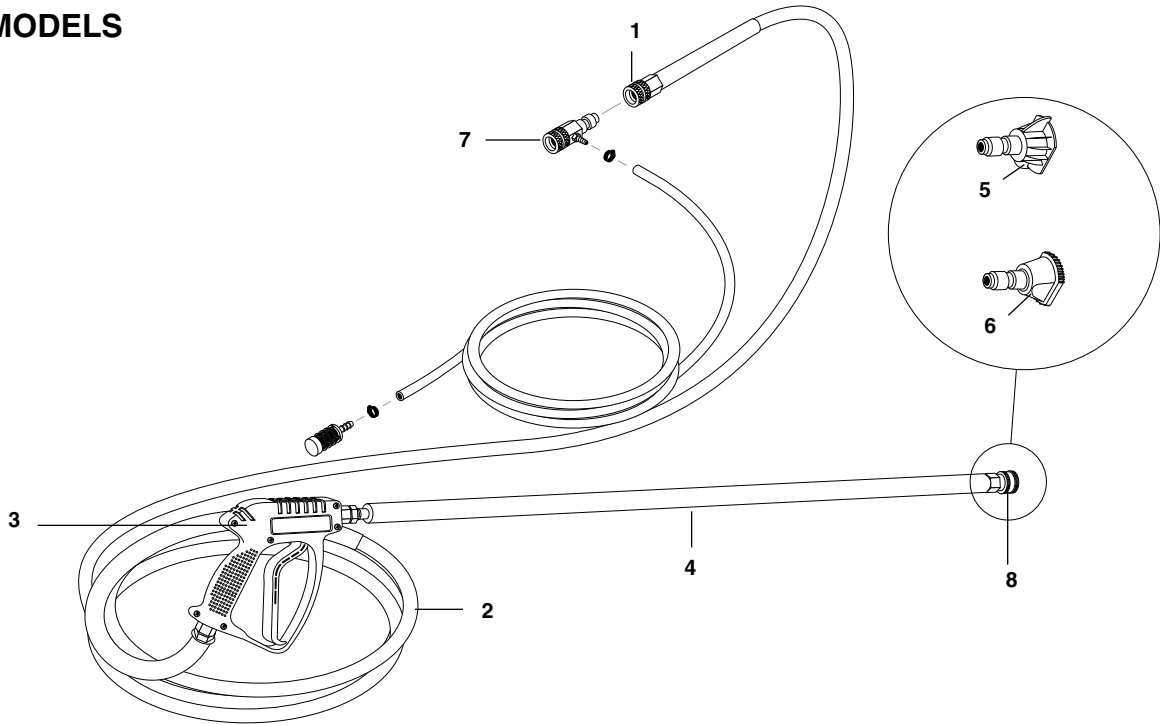
ITEM	PART NO.	DESCRIPTION	QTY	ITEM	PART NO.	DESCRIPTION	QTY
31	4-12806040	Nozzle, SAQC MEG 4006 White (4-2000)	1	42	5-1018	Motor, 10 HP 3 PH 1725, 230V/460V 3 PH (5-30021B, C)	1
32	4-16540	Nozzle, Brass, Soap	1		5-1013	Motor, 7.5 HP 1 PH 1725 (4-3000A)	1
33	2-1902	Strainer, Inlet Garden Hose	1		5-10145	Motor, 7.5 HP 3 PH 1725 RPM (4-3000B, C)	1
34	2-10942	Swivel, 1/2" MP x 3/4" GHF	1		5-1016	Motor, 10 HP 1 PH 1725 (5-30021A)	1
35	6-05154	Strain Relief, Plastic, LQ Tite (3-1100)	1	43	90-1007	Bolt, 5/16" x 1", NC HH (3-1100)	6
36	6-5010	Overload, 10.00-14.00 Amp, CH, (4-3000C, 5-3000C, F)	1	44	90-1016	Bolt, 3/8" x 1", NC HH (4-2000, 5-3000)	2
	6-5009	Overload, 7.50-11.00 Amp, CH, (4-2000C)	1	45	90-1017	Bolt, 3/8" x 1-1/4", NC HH (4-2000, 5-3000)	4
	6-5011	Overload, 13.00-19.00 Amp CH (4-2000B)	1	46	90-4001	Washer, Flat, SAE, 5/16"	14
	6-5012	Overload, 18.00 - 24.00 Amp, CH, (4-3000B)	1	47	90-2001	Nut, ESNA, NC, 5/16"	6
	6-5013	Overload, 24.00-35.00 Amp, CH, (5-3000B)	1	48	90-1020	Bolt, 3/8" x 2", NC HH	6
	6-5015	Overload, 29.00-42.00 Amp, CH, (4-2000A, 4-3000A)	1	49	90-4000	▲ Washer, Flat, SAE, 1/4"	2
37	6-4011	Contactora 240V, CH CE15ENS3BB (4-2000B, 4-3000B)	1	50	90-2000	▲ Nut, ESNA, NC, 1/4"	2
	6-4014	Contactora, 240V, CH CE15FN53BB (5-3000B)	1	51	90-1006	Bolt, 5/16" x 3/4", NC HH	1
	6-4019	Contactora, 240V, CH CE15HN53BB (4-2000A, 4-3000A, 5-3000A)	1	52	95-07101211	Back Plate, Belt Guard, PE, PG, Small (3-1100)	1
	6-4024	Contactora, 600V, CH CE15DN53DB (5-3000F)	1		95-07101213	Back Plate, Belt Guard, PE, PG, Large (4-2000, 4-3000, 5-3000)	1
	6-4009	Contactora, 480V, CH CE15DN53CB (4-2000C, 4-3000C, 5-3000C)	1		90-5004	▲ Belt Guard, Pull Spring	1
38	90-1991	Screw, 10/32" x 1/2"	4		90-1028	▲ Eyebolt, 1/4" x 1"	2
39	90-017	Nut, 10/32" Keps	8	53	2-01171	Belt Guard, Plastic, PC, PGS, Small (3-1100)	1
40	2-30082	Pump Protector, 1/2", PTP	1		2-01172	Belt Guard, Plastic, PG, Large (4-2000, 4-3000, 5-3000)	1
41	5-2302	Pump, General T-991 (3-1100)	1		10-99055	▲ Label, Landa Stripe	1
	5-2304	Pump, General T-1011 (4-2000)	1	54	90-1020	Bolt, 3/8" x 2" NC, HH Tap	4
	5-2307	Pump, General TS-2021 (4-3000, 5-3000)	1	55	10-020PE	Label, PE	1
42	5-1047	Motor, 2 HP 1 PH 3450, 120V 1 PH (3-1100)	1	56	10-2031100	Label, 3-1100	1
	5-10401	Motor, 6 HP 1 PH 1725, 230V 1 PH (4-2000A)	1		10-2042000	Label, 4-2000	1
	5-1011	Motor, 6 HP 3 PH 1725, 230V/460V 3 PH (4-2000B, C)	1		10-2043000	Label, 4-3000	1
					10-2053000	Label, 5-3000	1
				57	5-512024	Bushing, H x 24 mm (All Models)	1
				58	5-511113	Bushing, H x 1-1/8" (4-2000)	1
					5-511138	Bushing, H x 1-3/8" (4-3000A,B,C, 5-3000)	1

PE3-11021D • PE4-20021A, B, C • PE4-30021A, B, C • PE5-30021A, B, C, F
EXPLODED VIEW PARTS LIST CONTINUED

ITEM	PART NO.	DESCRIPTION	QTY	ITEM	PART NO.	DESCRIPTION	QTY
59	5-40102858	Pulley, Bore, AK 28 x 5/8" (3-1100)	1	64	10-08015A	Label, PE, OFF/ON for Push Button (except 3-1100)	1
	5-40503401	Pulley, 2 BK 34 H (5-3000A/B/C/F)	1	65	10-08021	Label, Disconnect Power Supply	1
	5-40203201	Pulley, 2 AK 32 H (4-2000A/B/C)	1	66	6-2021	Switch, Green Push Button, CH, E22PB3	1
	5-40504501	Pulley, 2 BK 45 H (4-3000A/B/C)	1	67	6-2001	Block, Contact, N/O, CH E22B2	1
60	5-40108401	Pulley, AK 84 H (3-1100)	1	68	6-2022	Switch, Red Push Button, CH, E22EB2	1
	5-40205101	Pulley, 2 AK 51 H (4-2000A/B/C)	1	69	6-2000	Block, Contact, N/C, CH E22B1	1
	5-40505001	Pulley, 2 BK 50 H (5-3000A/B/C/F)	1	70	6-021595	Din Rail /in.	4
	5-40508001	Pulley, 2 BK 80 H (4-3000A/B/C)	1		90-1991	▲ Screw, 10/32" x 1/2"	1
61	5-602037	Belt, AX 37 (3-1100)	2		90-1994	▲ Screw, 10/32"x1-1/4" (Ground)	1
	5-602035	Belt, AX 35 (4-2000A/B/C)	2		90-017	▲ Nut, 10/32" Keps	3
	5-604035	Belt, BX 35 (5-3000A/B/C)	2	71	6-03910	Box, Electric (3-1100 only)	1
	5-604034	Belt, BX34 (5-3000F)	2	72	2-1044	Plug, Brass 1/8"	1
	5-604040	Belt, BX40 (4-3000A/C)	2	73	6-051595	Strain Relief, STRT, LQ Tite Large, 3/4"	1
	5-604038	Belt BX38 (4-3000B)	2		6-05171	▲ Strain Relief 1" (4-3000A, G)	1
62	6-03911	Lid, Plastic, Carlon (3-1100)	1	74	6-020204	Switch, 2 Pos., 1-3 PH (3-1100)	1
63	6-03904	Enclosure, Fiberglass, Nema 4X (except 3-1100)	1	75	90-1016	Bolt, 3/8" x 1", NC	2
	6-03909	Box, Plastic 10" x 8" x 6" (4-3000A, 5-3000A)	1	76	90-2007	Nut, 3/8" Hex NC	2
				77	11-1042	▲ Label, Ground	1

▲ Not Shown

HOSE & SPRAY GUN ASSEMBLY
ALL MODELS



ITEM	PART NO.	DESCRIPTION	QTY
1	2-2002	Coupler, 3/8" Female	1
	2-0121	▲ Quick Coupler O-Ring Large	1
2	4-02043450C	Hose 50' x 3/8" w/Coupler, 4500 PSI	1
3	4-01212	Spray Gun, Shut-off Series 2000	1
4	4-0110410	Wand, Straight, 31.4" w/Coupler (All Models)	1

ITEM	PART NO.	DESCRIPTION	QTY
4	4-011231	Cover, Wand (All Models)	1
5		Nozzles, See Page 10	
6	4-16540	Brass Soap Nozzle	1
7	4-011183	Detergent Injector (3-1100)	1
	4-011184	Detergent Injector (All Models)	1
8	2-2000	Coupler, 1/4" Female	1
	2-0119	▲ Quick Coupler O-Ring Small	1

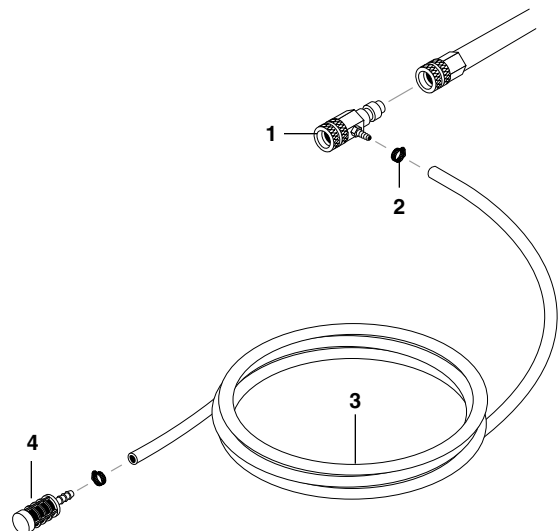
▲ Not Shown

DOWNSTREAM INJECTOR ASSEMBLY

ASSY #2 • 4-011183 (PE3-1100)

ASSY #3 • 4-011184 ALL MODELS

ITEM	PART NO.	DESCRIPTION	QTY
1	3-1202	Injector, Det, Non Adjust, #2 (3-1100)	1
	3-12021	Injector, Det, Non Adjust, #3 (All Models)	1
2	2-9000	Clamp, Screw, #4	1
3	4-02080000	Tube, 1/4" x 1/2", Clear Vinyl /ft.	6
4	2-1904	Strainer, 1/4", Hose Barb	1



TROUBLESHOOTING

PROBLEM	POSSIBLE CAUSE	SOLUTION
PUMP RUNNING NORMALLY BUT PRESSURE LOW ON INSTALLATION	Pump sucking air	Check water supply and possibility of air seepage.
	Check valves sticking	Check and clean or replace if necessary.
	Unloader valve seat faulty	Check and replace if necessary.
	Nozzle incorrectly sized	Check and replace if necessary.
	Worn piston packing	Check and replace if necessary.
FLUCTUATING PRESSURE	Valves worn	Check and replace if necessary.
	Blockage in valve	Check and clean out if necessary.
	Pump sucking air	Check water supply connections.
	Worn piston packing	Check and replace if necessary.
	Insufficient water	Check filter and hose for breakage.
PRESSURE LOW AFTER PERIOD OF NORMAL USE	Nozzle worn	Check and replace if necessary.
	Suction or delivery valves worn	Check and replace if necessary.
	Suction or delivery valves blocked	Check and clean if necessary.
	Unloader valve seat worn	Check and replace if necessary.
	Worn piston package	Check and replace if necessary.
PUMP NOISY	Air in suction line	Check water supply and connections on suction line.
	Broken or weak suction or delivery valve spring	Check and replace if necessary.
	Foreign matter in valves	Check and clean if necessary.
	Worn bearings	Check and replace if necessary.
	Excessive temperature of water	Reduce to below 140° F.
PRESENCE OF WATER IN PUMP OIL	Oil seal worn	Check and replace if necessary.
	High humidity in air	Check and change oil twice as often.
	Piston packing worn	Check and replace if necessary.
WATER DRIPPING FROM UNDER PUMP	Piston packing worn	Check and replace if necessary.
	O-Ring plunger retainer worn	Check and replace if necessary.
WATER DRIPPING FROM PUMP PROTECTOR	Water supply pressure too high (over 90 psi)	Lower water supply pressure using a regulator.
	Spray gun is in the off position for over 5 minutes	Turn machine off if not in use for over 5 minutes.
OIL DRIPPING	Oil seal worn	Check and replace if necessary.
EXCESSIVE VIBRATION IN HIGH-PRESSURE HOSE	Irregular functioning of the pump valves	Check and replace if necessary.

TROUBLESHOOTING

PROBLEM	POSSIBLE CAUSE	SOLUTION
MOTOR WILL NOT START	Usually caused by line trouble, such as single phasing at the starter	Check source of power. Check overloads, fuses, controls, etc.
MOTOR OVERHEATING	Overload. Compare actual amps (measured) with nameplate rating	Locate and remove source of excessive friction in motor or load. Reduce load or replace with motor of greater capacity.
	Single phasing	Check current at all phases (should be approximately equal) to isolate and correct problem.
	Improper ventilation	Check external cooling fan to be sure air is moving properly across cooling fins. Excessive dirt build-up on motor. Clean motor.
	Unbalanced voltage	Check voltage at all phases (should be approximately equal) to isolate and correct the problem.
	Over voltage or under voltage	Check input voltage at each phase to motor.
	Open stator winding	Check stator resistance at all three phases for balance.
	Improper connections	Inspect all electrical connections for proper termination, clearance, mechanical strength and electrical continuity. Refer to wiring diagrams.
BEARING OVERHEATING	Misalignment	Check and align motor and driven equipment.
	Excessive belt tension	Reduce belt tension to proper point for load.
	Excessive grease in bearing	Remove grease until cavity is approximately 3/4 filled.
	Insufficient grease in bearing	Add grease until cavity is approximately 3/4 filled.
	Dirt in bearing	Clean bearing cavity and bearing. Repack with correct grease until cavity is approximately 3/4 filled.
GROWLING OR WHINING	Bad bearing	Replace bearing. Clean all grease from cavity and new bearing. Repack with correct grease until cavity is approximately 3/4 filled.

PREVENTATIVE MAINTENANCE

This pressure washer was produced with the best available materials and quality craftsmanship. However, you as the owner have certain responsibilities for the correct care of the equipment. Attention to regular preventative maintenance procedures will assist in preserving the performance of your equipment. Contact your Landa, Inc. dealer for maintenance. Regular preventative maintenance will add many hours to the life of your pressure washer. Perform maintenance more often under severe conditions.

Pump Oil	Inspect	Daily inspect the oil level
	Change	After first 50 hours, then every 500 hours or annually
Replace High Pressure Nozzle		Every 6 months
Replace Quick Connects		Annually
Clean Water Screen/Filter		Weekly
Replace HP Hose		Annually if there is any sign of wear
Grease Motor		Every 10,000 hours or annually

General Inspection

Inspect the motor at regular intervals, approximately every 500 hours of operation, or every 3 months, whichever occurs first. Keep the motor clean and the ventilation openings clear. The following steps should be performed at each inspection:

WARNING: Do not touch electrical connections before you first ensure that power has been disconnected. Electrical shock can cause serious or fatal injury. Only qualified personnel should attempt the installation, operation and maintenance of this equipment.

1. Check that the motor is clean. Check that the interior and exterior of the motor is free of dirt, oil, grease, water, etc. Oily vapor, paper pulp, textile lint, etc. can accumulate and block motor ventilation. If the motor is not properly ventilated overheating can occur and cause early motor failure.
2. Check all electrical connectors to be sure that they are tight.

Lubrication & Bearings

Bearing grease will lose its lubricating ability over time, not suddenly. The lubricating ability of a grease (over time) depends primarily on the type of grease, the size of the bearing, the speed at which the bearing operates and the severity of the operating conditions. Good results can be obtained if the following recommendations are used in your maintenance program.

Type of Grease

A high grade ball or roller bearing grease should be used. Recommended greases standard service conditions are:

Shell Dolium R (Factory installed) or Chevron SRI

OIL CHANGE RECORD

Date Oil Changed Month/Day/Year	Estimated Operating Hours Since Last Oil Change

Date Oil Changed Month/Day/Year	Estimated Operating Hours Since Last Oil Change



LANDA LIMITED NEW PRODUCT WARRANTY PRESSURE WASHERS

WHAT THIS WARRANTY COVERS

All LANDA pressure washers are warranted by LANDA, INC. to the original purchaser to be free from defects in materials and workmanship under normal use, for the periods specified below. This Limited Warranty is subject to the exclusions shown below, is calculated from the date of the original purchase, and applies to the original components only. Any parts replaced under this warranty will assume the remainder of the part's warranty period.

FIVE YEAR PARTS AND ONE YEAR LABOR WARRANTY:

Components manufactured by Landa, such as frames, handles, top and bottom wraps, float tanks, fuel tanks, belt guards, and heating coils. Internal components on the oil-end of all branded pumps have a five year warranty.

ONE YEAR MINIMUM ON PARTS AND ONE YEAR LABOR WARRANTY:

All other components, excluding normal wear items as described below, will be warranted for one year on parts and labor. Parts and labor warranty on these parts will be for one year regardless of the duration of the original component manufacturer's part warranty.

WARRANTY PROVIDED BY OTHER MANUFACTURERS:

Motors, generators, and engines, which are warranted by their respective manufacturers, are serviced through these manufacturers' local authorized service centers. LANDA cannot provide warranty on these items.

WHAT THIS WARRANTY DOES NOT COVER

This warranty does not cover the following items:

1. Normal wear items, such as nozzles, guns, discharge hoses, wands, quick couplers, seals, filters, gaskets, O-rings, packings, pistons, pump valve assemblies, strainers, belts, brushes, rupture disks, fuses, pump protectors.
2. Damage or malfunctions resulting from accidents, abuse, modifications, alterations, incorrect installation, improper servicing, failure to follow manufacturer's maintenance instructions, or use of the equipment beyond its stated usage specifications as contained in the operator's manual.
3. Damage due to freezing, detergent deterioration, scale build up, rust, corrosion, or thermal expansion.
4. Damage to components from fluctuations in electrical or water supply.
5. Normal maintenance service, including adjustments, fuel system cleaning, and clearing of obstructions.
6. Transportation to service center, field labor charges, or freight damage.

WHAT YOU MUST DO TO OBTAIN WARRANTY SERVICE

While not required for warranty service, we request that you register your LANDA pressure washer by returning the completed registration card. In order to obtain warranty service on items warranted by LANDA, you must return the product to your Authorized LANDA Dealer, freight prepaid, with proof of purchase, within the applicable warranty period. If the product is permanently installed, you must notify your Authorized LANDA Dealer of the defect. Your Authorized LANDA Dealer will file a claim with Landa, who must subsequently verify the defect. In most cases, the part must be returned to LANDA freight prepaid with the claim. For warranty service on components warranted by other manufacturer's, your Authorized LANDA Dealer can help you obtain warranty service through these manufacturers' local authorized service centers. If you are unable to resolve the warranty claim satisfactorily, write to LANDA at 4275 N.W. Pacific Rim Blvd., Camas, WA 98607, ATTN: Warranty Dept., detailing the nature of the defect, the name of the Authorized LANDA Dealer, and a copy of the purchase invoice.

LIMITATION OF LIABILITY

LANDA'S liability for special, incidental, or consequential damages is expressly disclaimed. In no event shall LANDA'S liability exceed the purchase price of the product in question. LANDA makes every effort to ensure that all illustrations and specifications are correct, however, these do not imply a warranty that the product is merchantable or fit for a particular purpose, or that the product will actually conform to the illustrations and specifications. **THE WARRANTY CONTAINED HEREIN IS IN LIEU OF ALL OTHER WARRANTIES, EXPRESS OR IMPLIED, INCLUDING ANY IMPLIED WARRANTY OF FITNESS FOR A PARTICULAR PURPOSE.** LANDA does not authorize any other party, including authorized LANDA Dealers, to make any representation or promise on behalf of LANDA, or to modify the terms, conditions, or limitations in any way. It is the buyer's responsibility to ensure that the installation and use of LANDA products conforms to local codes. While LANDA attempts to assure that its products meet national codes, it cannot be responsible for how the customer chooses to use or install the product.

INTRODUCCION

Gracias por comprar un Lavadora a Presión Landa.

Estas instrucciones y advertencias corresponden a los modelos PE3-11021D, PE4-20021A, PE4-20021B, PE4-20021C, PE4-30021A, PE4-30021B, PE4-30021C, PE5-30021A, PE5-30021B, PE5-30021C y PE5-30021F.

Landa, Inc. se reserva el derecho de hacer cualquier cambio en cualquier momento sin contraer ninguna obligación.

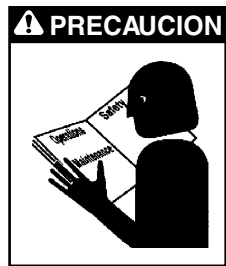
Responsabilidades del Dueño/Usuario:

El dueño y/o usuario debe estar al tanto de las instrucciones de operación y de las advertencias del fabricante ántes de usar su lavadora a presión Landa. La información de advertencia debe ser enfatizada y comprendida. Si el operador no domina el inglés, el comprador/dueño deberá leer y discutir con éste las instrucciones y las advertencias del fabricante el el idioma natal del operador, asegurándose de que éste entienda su contenido.

El dueño y/o usuario debe estudiar y mantener las instrucciones del fabricante para futuras referencias.

Este manual debe ser considerado una parte permanente de la máquina y deberá entregarse con la máquina en caso de que se venda. Cuando ordene las partes, por favor especifique el modelo y el número de serie.

SEGURIDAD DE LA MAQUINA



PRECAUCION: Para reducir el riesgo de accidentes, lea las operaciones cuidadosamente antes de usar la unidad.

1. Lea todo el manual para operadores cuidadosamente. El no seguir las instrucciones puede causar el mal funcionamiento de la unidad y

provocar la muerte, o causar serias heridas y/o daños en la propiedad.

2. Todas las instalaciones deben cumplir con los códigos locales. Pongáse en contacto con un técnico eléctrico, plómero, compañía de servicios públicos o distribuidor de ventas para mayores detalles.



ADVERTENCIA: Mantenga el chorro de agua, la varilla y la manguera de alta presión lejos del cableado eléctrico ya que puede ocurrir un choque fatal. Lea la etiqueta de advertencia del cable eléctrico.

3. Para proteger al operador de un choque eléctrico, la máquina deberá de estar conectada a tierra. Es la responsabilidad del dueño de conectar este máquina a un receptáculo a tierra aprobado por UL con el amperage y voltaje indicados. No moje sobre o cerca de los componentes eléctricos; no toque la máquina con las manos mojadas o cuando esté parado sobre agua. Siempre desconecte la máquina cuando le de servicio de mantenimiento.



ADVERTENCIA: Líquidos inflamables pueden crear gases que se encienden causando danos a la propiedad y heridas severas.

4. **ADVERTENCIA:** Riesgo de explosión — No rocíe líquidos inflamables.



ADVERTENCIA: Este equipo puede producir un fluido de alta presión a chorro que puede penetrar la piel y sus tejidos, causando graves heridas y posible amputacion.

5. No coloque la máquina cerca d objetos inflamables si el motor está caliente.

6. Las altas presiones desarrolladas por esta unidad causarán heridas personales o daño al equipo. Use precaución cuando esté operando el equipo. No dirija el chorro de descarga hacia la gente porque de lo contrario puede causarles heridas graves incluyendo la muerte.

7. Nunca haga ajustes en la máquina mientras este operando.



ADVERTENCIA: Un chorro de alta presión puede ocasionar que trozos de pintura y otras particulas vuelen a altas velocidades por el aire.

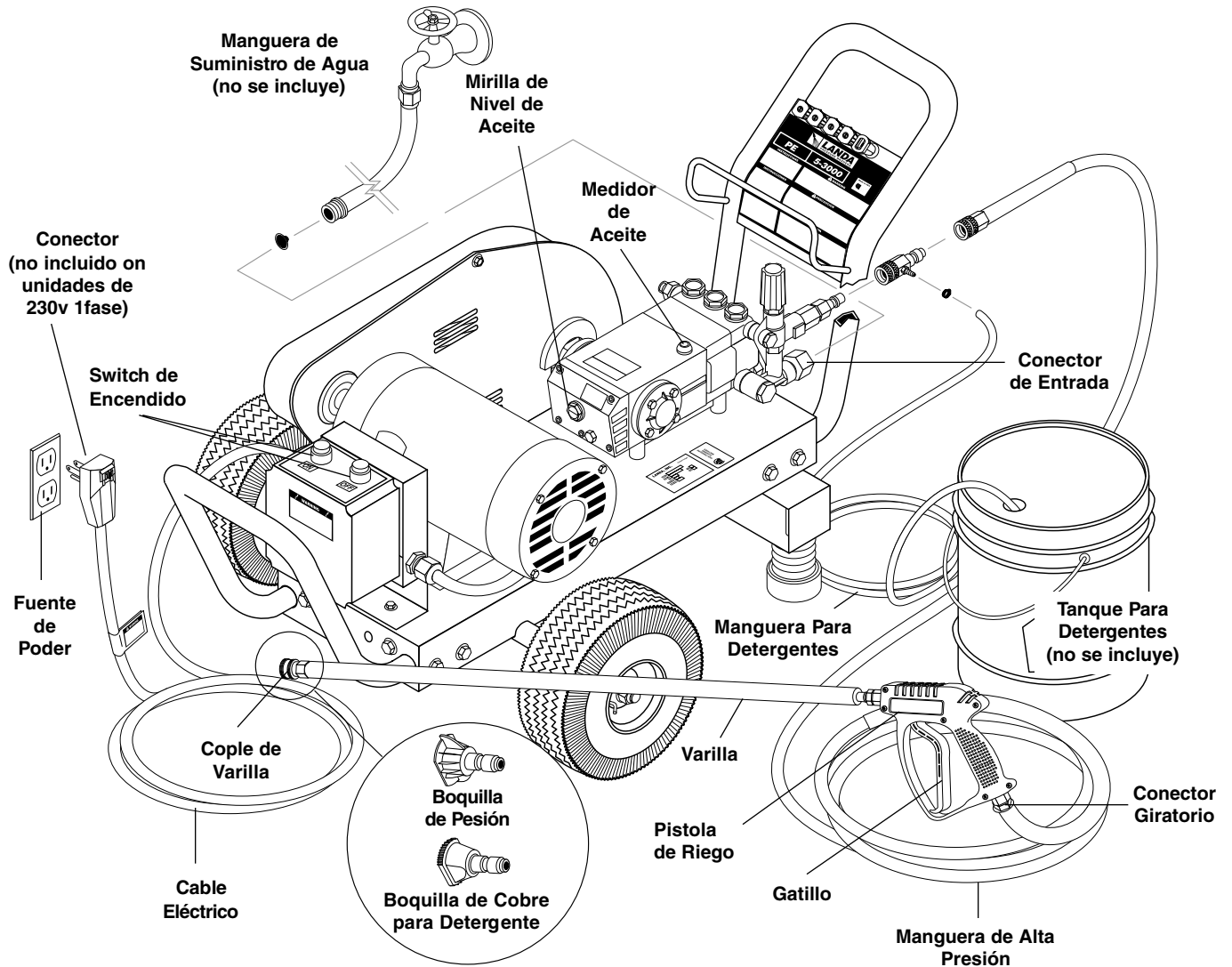
8. Elementos de seguridad para la protección de los ojos y los pies deben ser usados con este equipo.

9. Unidades con pistola de apagado no deben ser operadas con la pistola en la posición apagada por largos períodos de tiempo pues ésto puede causar daños a la bomba.

10. El mejor seguro contra un accidente es la precaución y el conocimiento de la máquina.

11. Landa no se hará responsable de ninguno de los cambios hechos a nuestras unidades estándar, o por ningún componente que no sea comprado directamente A Landa.

IDENTIFICACION DE COMPONENTES



**ADVERTENCIA**

ADVERTENCIA: Mantenga el chorro de agua lejos de cables eléctricos para prevenir graves choques eléctricos.

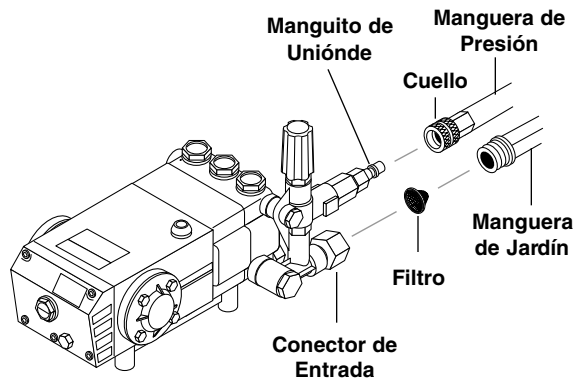
12. Leá las instrucciones de seguridad proporcionadas para el motor.
13. Núnca opere la bomba en vacío o deje la pistola cerrada más de 5 minutos.
14. No permita que los niños operen la lavadora a presión en ningún momento.
15. Para prevenir una herida grave asegúrese que el conector rápido de la manguera de descarga este bien ajustado ántes de usar la máquina lavadora a presión.
16. No permita que ácidos a fluídos abrasivos pasen a través de la bomba hidráulica.
17. No opere éste máquina estando fatigado o bajo la influencia del alcohol o drogas. Mantenga el área de operación lejos de la personas.
18. El agua de entrada deberá ser fría.
19. Landa, Inc. No será responsable por cualquier cambio o alteración hecho a la máquina o unidades estándar o de cualquier componente NO adquirido a través de Landa, Inc.
20. No se sobreestire o pare en soportes inestables, mantenga el balance y pié firme en todo momento.
21. Siga las instrucciones de mantenimiento especificados en el manual.
22. Siempre desconecte la máquina cuando realizé reparaciones a la misma.

VERIFICACION ANTES DE OPERACION

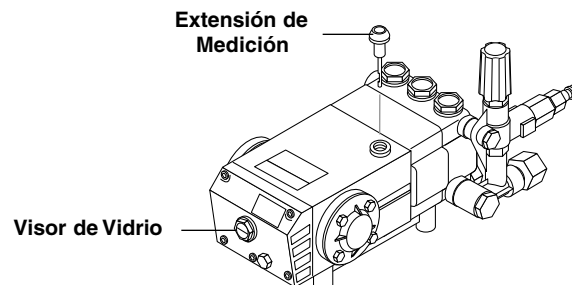
- Aceite para bomba (aceite SAE 30W sin detergente, general)
- Suministro de agua fría (6 gpm • 5/8" • 20 psi)
- Manguera, varilla, boquilla (tamaño de boquilla según placa de serie)
- Filtro de agua (intacto, no restrictivo)
- Apropiada fuente eléctrica, receptáculo y caja de circuitos.

PROCEDIMIENTOS DE INSTALACION

1. Conecte una manguera de jardín de 5/8" al conector de entrada. El flujo mínimo debe ser de 5 gpm.
2. Conecte una manguera de alta presión a la boquilla de descarga usando una conexión rápida. Asegure el conector ajustándolo en su lugar tirando el collar del enganche trasero hacia atrás e insertándolo en la boquilla de descarga y empujando el collar después hacia adelante para asegurarlo en su lugar.



3. Conecte la varilla a la pistola de riego usando cinta teflón en la rosca para prevenir fugas.
4. Conecte el conector giratorio (swivel) en la manguera de descarga a la pistola de riego usando cinta teflón en la rosca.
5. Remueva el tapón del aceite de encima de la bomba de la lavadora a presión y reemplázelo con el medidor de nivel (dipstick) proporcionado.
6. Verifíque el nivel del aceite en el vidrio de observación que está al lado de la bomba. El aceite debe ser visible hasta la mitad del vidrio de observación (30W no-detergente).

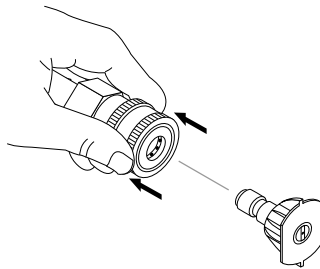


7. Para la seguridad del operador y de acuerdo a los estándares de seguridad eléctricos, los modelos PE3-110212D, PDX2-15025D y PDE2-15021D cuentan con conector de 120v 20 amp que únicamente se pueden enchufar a un rectáculo de 20 amp.

8. En unidades de 230v instale conector (no incluido) apropiado en el cable portacorriente.

INSTRUCCIONES DE OPERACION

1. Con el switch de poder en posición de apagado, conecte el cable eléctrico a la fuente de poder apropiado y oprima el botón de - encendido del cable eléctrico GFCI si se requiere.
2. Abra la llave de agua y oprima el gatillo de la varilla de aspersión para que el agua fluya por la misma hasta que todo el aire sea --descargado del sistema. Revise que no tenga fugas de agua, ajuste lo necesario.
3. Deslice el cople rápido hacia atrás, instale la boquilla y asegúrelo empujando el collar del conector hacia adelante.
4. Con la pistola de aspersión cerrada, encienda la máquina y revise que no tenga fugas de agua.
5. Oprima el gatillo de la pistola de aspersión apuntando lejos de - usted o de cualquier otra persona hasta que obtenga un flujo presurizado continuo.



PROCEDIMIENTOS DE APAGADO

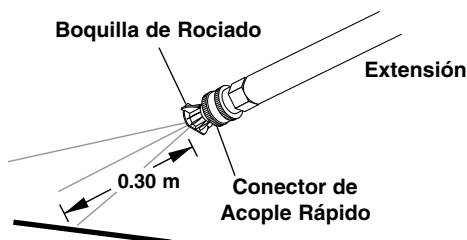
1. Enjuague todas las líneas é inyector con agua lilmpia para remover residuos de jabón.
2. Apague la máquina.
3. Cierre la llave de suministro de agua.
4. Oprima el gatillo de la pistola de aspersión para aliviar la presión contenida en la misma.
5. Desconecte la manguera de la llave de suministro de agua.
6. En condiciones de congelamiento, desconecte la manguera de la llave de suministro de agua y oprima el gatillo de la pistola de aspersión para drenar el agua contenida en la máquina; después apague el motor.

PRECAUCION: No permita que la bomba opere por más de 5 minutos sin agua. Desconecte todas las mangueras para permitir que el agua se escurra.

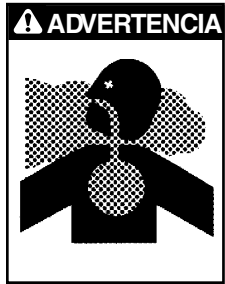
ADVERTENCIA: Con la maquina apagada, abra la pistola para dejar salir la presion antes de remover la manguera de descarga.

TECNICAS GENERALES DE LAVADO

1. Sostenga la boquilla de riego aproximadamente a 30 cm de la superficie a lavar. Riegue a cierto ángulo a modo que golpee debajo de la mugre o materia y la deprenda
2. Cuando este lavando objetos grandes, use un inyector detergente ópcional para aplicar el detergente. Empiece el lavado de abajo hacia arriba. Se ahorrará detergente y obtendrá resultados más rápidos si permite que el detergente se asiente de 5 a 10 minutos. Después de lavar, enjuage de arriba hacia abajo.
3. Para la limpieza de mugre o materia pesada se recomienda un fuerte chorro de agua limpia antes de usar el agente limpiador.



COMO USAR EL INYECTOR DE DETERGENTE



ADVERTENCIA

ADVERTENCIA: Algunos detergentes pueden ser peligrosos si son inhalados o digeridos, causando náusea severa, desmayos o envenenamiento. Elementos peligrosos pueden causar daño a la propiedad o heridas severas.

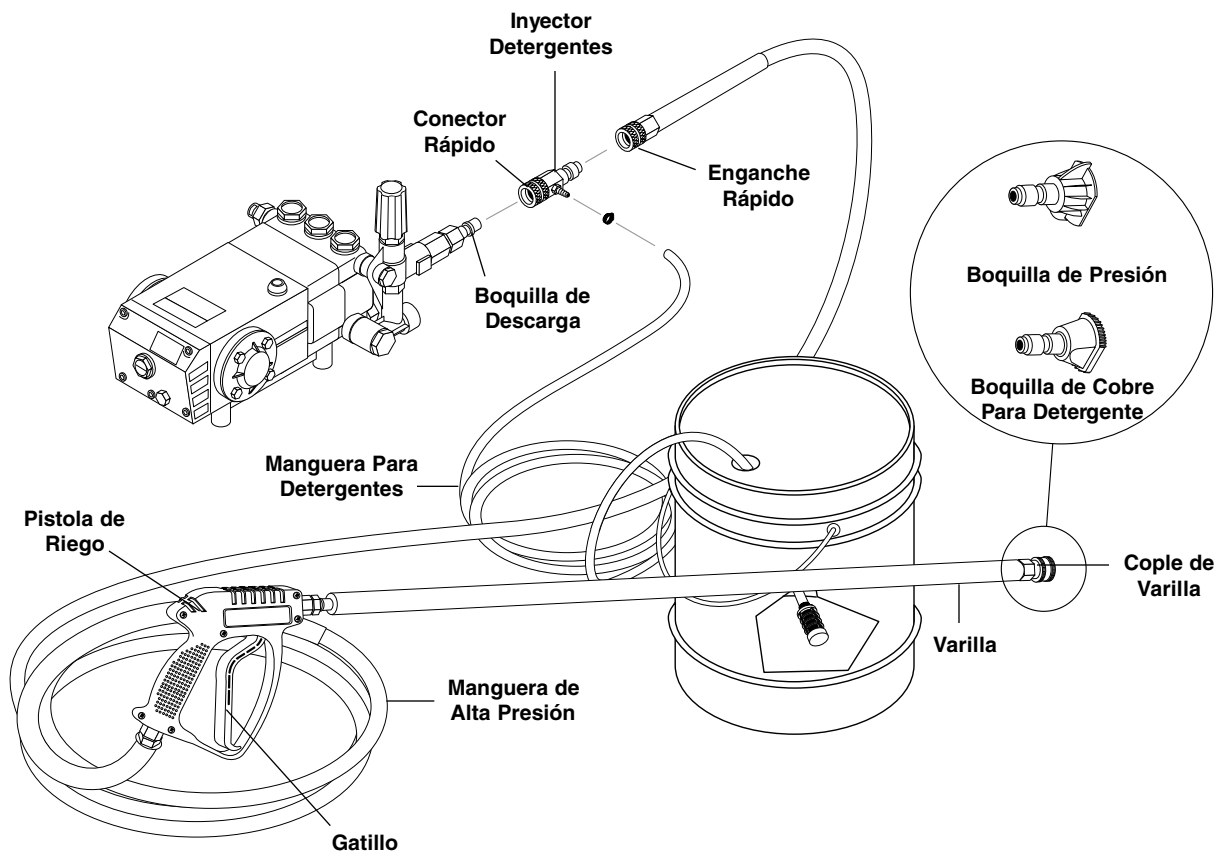
La máquina puede actuar como sifón y mezclar los detergentes con el uso del juego de inyectores detergentes Landa.

1. Tire el collar de enganche rápido del inyector hacia atrás y asegúrelo en la boquilla de descarga. La flecha del cuerpo de la válvula del inyector debe apuntar en la dirección del flujo.
2. Conecte la manguera de descarga a presión a la boquilla de inyector asegurando el conector rápido.

3. Arranque la máquina como se indica en las instrucciones de operación.
4. Coloque el tubo de la toma de detergente en el recipiente de la solución detergente.
5. Instale la boquilla de cobre para detergente proporcionada una con el inyector en el enganche rápido de la varilla.
6. Abra el gatillo de la pistola. La proporción de solución de detergente es aproximadamente de 15 a 1.
7. Cuando termine de lavar, enjuague simplemente soltando el gatillo de la pistola, removiendo la boquilla para detergente, y reemplazando la boquilla de presión hacia atrás en el conector rápido.

NOTA: El inyector detergente no puede actuar como sifón con la boquilla de alta presión en el extremo final de la varilla.

8. Para la limpieza, coloque el tubo para tomar los detergentes en el recipiente con agua transparente y siga los pasos 5 y 6 para prevenir que depósitos detergentes dañen el inyector.





GARANTÍA DE LANDA PARA SUS PRODUCTOS EQUIPOS DE LAVADO A PRESIÓN

QUÉ CUBRE ESTA GARANTÍA

LANDA, INC. garantiza al primer comprador que todos los equipos LANDA de lavado a presión están libres de defectos de materiales y de fabricación durante el uso normal de la unidad y durante el tiempo que se indica más abajo. Esta Garantía Limitada está sujeta a las exclusiones que se muestran a continuación. Dicha garantía entra en vigencia a partir de la fecha de la compra del equipo y se aplica únicamente a los componentes originales. Cualquier parte que se reemplace durante el período cubierto por esta garantía estará comprendida en el período de garantía restante para dicha parte.

GARANTÍA DE CINCO AÑOS PARA LAS PARTES Y DE UN AÑO PARA LA MANO DE OBRA:

Esta garantía cubre los componentes fabricados por Landa, como por ejemplo bastidores, manijas, envoltura de bobinas, tanques con flotador, tanques para combustible, cubiertas de correas y bobinas. Los componentes internos relacionados con el aceite de las bombas marca tienen una garantía de 5 años.

GARANTÍA DE UN AÑO MÍNIMO PARA LAS PARTES Y DE UN AÑO PARA LA MANO DE OBRA:

El resto de los componentes, sin incluir el desgaste normal de los artículos que se describen abajo, estará cubierto por el período que especifique su fabricante original, con un año como mínimo. La garantía para la mano de obra que se aplica a estas partes será de un año, sin perjuicio de la duración de la garantía del fabricante del componente original.

GARANTÍA SUMINISTRADA POR OTROS FABRICANTES:

Los motores, generadores y máquinas están cubiertos por la garantía de sus fabricantes. Los centros de servicios locales autorizados por sus fabricantes prestan el servicio de mantenimiento y reparación de dichas unidades. LANDA no puede proporcionar garantía alguna para estos artículos.

REPUESTOS NO CUBIERTOS POR LA GARANTÍA:

Estas partes, sin incluir el desgaste normal de los artículos que se describen abajo, estarán cubiertas por el período que especifique su fabricante original. Estas partes no están cubiertas por la garantía de mano de obra.

ESTA GARANTÍA NO CUBRE:

Esta garantía no cubre los siguientes artículos:

1. Artículos que tienen un desgaste normal, como ser boquillas, pistolas, mangueras de descarga, extensiones, acopladores de conexión rápida, sellos, filtros, juntas, anillos en "O", empaquetados, pistones, montaje de válvulas, filtros de malla, correas, cepillos, etc.
2. Daño o malfuncionamiento debido a accidentes, abuso, modificaciones, alteraciones, instalación inapropiada, servicio inapropiado, incumplimiento de las instrucciones de mantenimiento del fabricante o uso del equipo con otros fines que no se adhieran a las especificaciones contenidas en el Manual del operador.
3. Daño a causa de heladas, deterioro debido a productos químicos, acumulación de escamas, oxidación, corrosión o expansión térmica.
4. Daño a los componentes debido a fluctuaciones en el suministro eléctrico o al abastecimiento de agua.
5. Servicio de mantenimiento normal, incluso los ajustes, limpieza del sistema de combustible y de obstrucciones.
6. Transporte al centro de servicios, cargos por mano de obra en planta o daño ocurrido durante el flete.
7. El trabajo de mano de obra se excluye especialmente para todas las máquinas que se utilizan como equipos de alquiler.

QUÉ DEBE HACER PARA OBTENER EL SERVICIO DE LA GARANTÍA

A pesar de no ser necesario para el servicio de garantía, le solicitamos que registre su unidad para el lavado a presión. Para ello, llene la tarjeta de registro y envíela a vuelta de correo. Para obtener el servicio de LANDA de la garantía, debe hacer llegar el producto a un Distribuidor de LANDA autorizado, con flete prepago, acompañado del comprobante de la compra, dentro del período prescrito por la garantía. En caso de que el producto esté instalado de forma permanente, deberá notificar el defecto a su Distribuidor Autorizado de LANDA. El distribuidor Autorizado de LANDA presentará un reclamo a Landa la cual deberá verificar el defecto. En la mayoría de los casos, deberá enviar la parte a LANDA con flete prepago junto con el reclamo. Para el servicio de la garantía de los componentes garantizados por otros fabricantes, su Distribuidor Autorizado de LANDA le ayudará a obtener el servicio que necesite de estos fabricantes por medio de sus centros locales de servicio autorizado. En caso de que no pueda resolver su reclamo de la garantía satisfactoriamente, envíe una carta a LANDA, 4275 N.W. Pacific Rim Blvd., Camas, WA 98607, ATT: Warranty Dept. (*Departamento de Garantías*) explicando la naturaleza del defecto, el nombre del Distribuidor Autorizado de LANDA junto con una copia de la factura de compra.

LIMITACIÓN DE LA RESPONSABILIDAD

LANDA específicamente renuncia a la responsabilidad de todo daño y perjuicio especial, incidental, o consecuencial. La responsabilidad de LANDA con respecto a todo reclamo de cualquier índole, no superará, bajo circunstancia alguna, el precio de compra del producto en cuestión. LANDA ha puesto todo su empeño para asegurarse de que las ilustraciones y especificaciones son las que corresponden; no obstante, estas no implican la garantía de comerciabilidad o de aptitud para un fin en particular o que el producto sea un fiel reflejo de las ilustraciones y especificaciones. **LA GARANTÍA CONTENIDA EN LA PRESENTE REEMPLAZA A CUALQUIER OTRA GARANTÍA, SEA EXPRESA, IMPLÍCITA, INCLUSO TODA GARANTÍA IMPLÍCITA DE APTITUD PARA UN FIN EN PARTICULAR. LANDA no autoriza a terceros, incluso a los Distribuidores Autorizados de LANDA, a efectuar manifestación o promesa alguna en nombre de LANDA ni a modificar los términos, condiciones o limitaciones en modo alguno. Es responsabilidad del Comprador asegurarse de que la instalación y el uso de los productos LANDA se realice de acuerdo con los códigos locales. Bien que Landa intenta asegurarse de que sus productos cumplan con los códigos nacionales, no se responsabiliza por el procedimiento de utilización del producto ni por su instalación por parte del Comprador.**



4275 NW Pacific Rim Blvd. • Camas, WA 98607 USA

Form #96-604 • Revised 10/02 • Printed in U.S.A. by Landa, Inc., Camas, WA 98607