

SPARE PARTS LIST

for

Infrared oil heater

Model

VAL6

discontinued model

◆ **KBE1JA for 110-120V 60Hz**

(Spare parts supply until 2018)

May, 2017

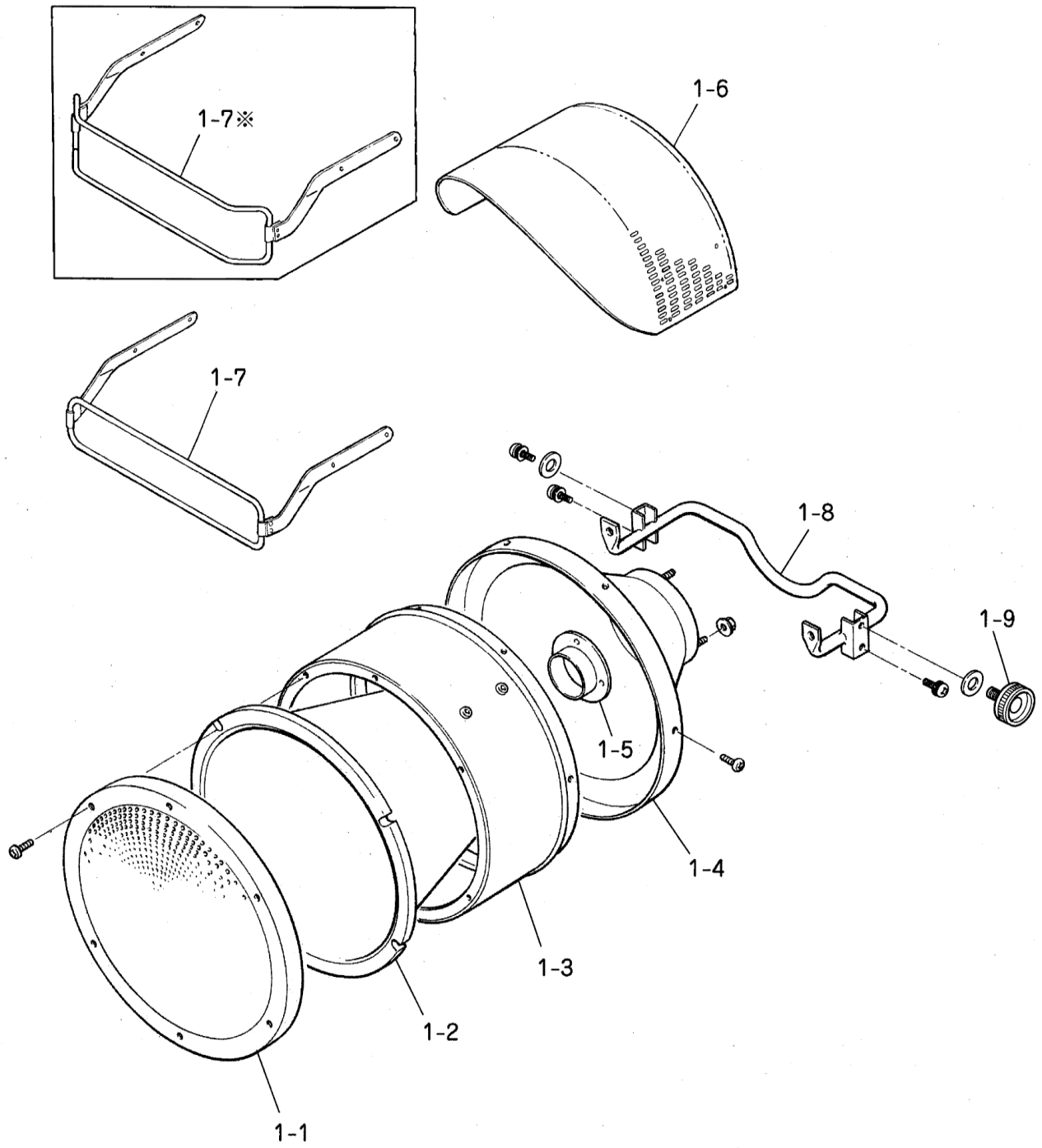
Shizuoka Seiki Co., Ltd.

* PRICES AND SPECIFICATIONS ARE SUBJECT TO CHANGE WITHOUT NOTICE*

© 2017 J.S.O'will, Inc.. Shizuoka Seiki Co. Ltd. All Rights Reserved.

Serial Number History

2001-2002	S lot
2002-2003	R lot
2003-2004	Q lot
2004-2005	P lot
2005-2006	N lot
2006-2007	J lot
2007-2008	I lot
2008-2009	H lot
2009-2010	G lot
2010-2011	F lot
2011-2012	E lot
2012-2013	D lot
2013-2014	C lot
2014-2015	B lot
2015-2016	A lot
2016-2017	Z lot
2017-2018	Y lot



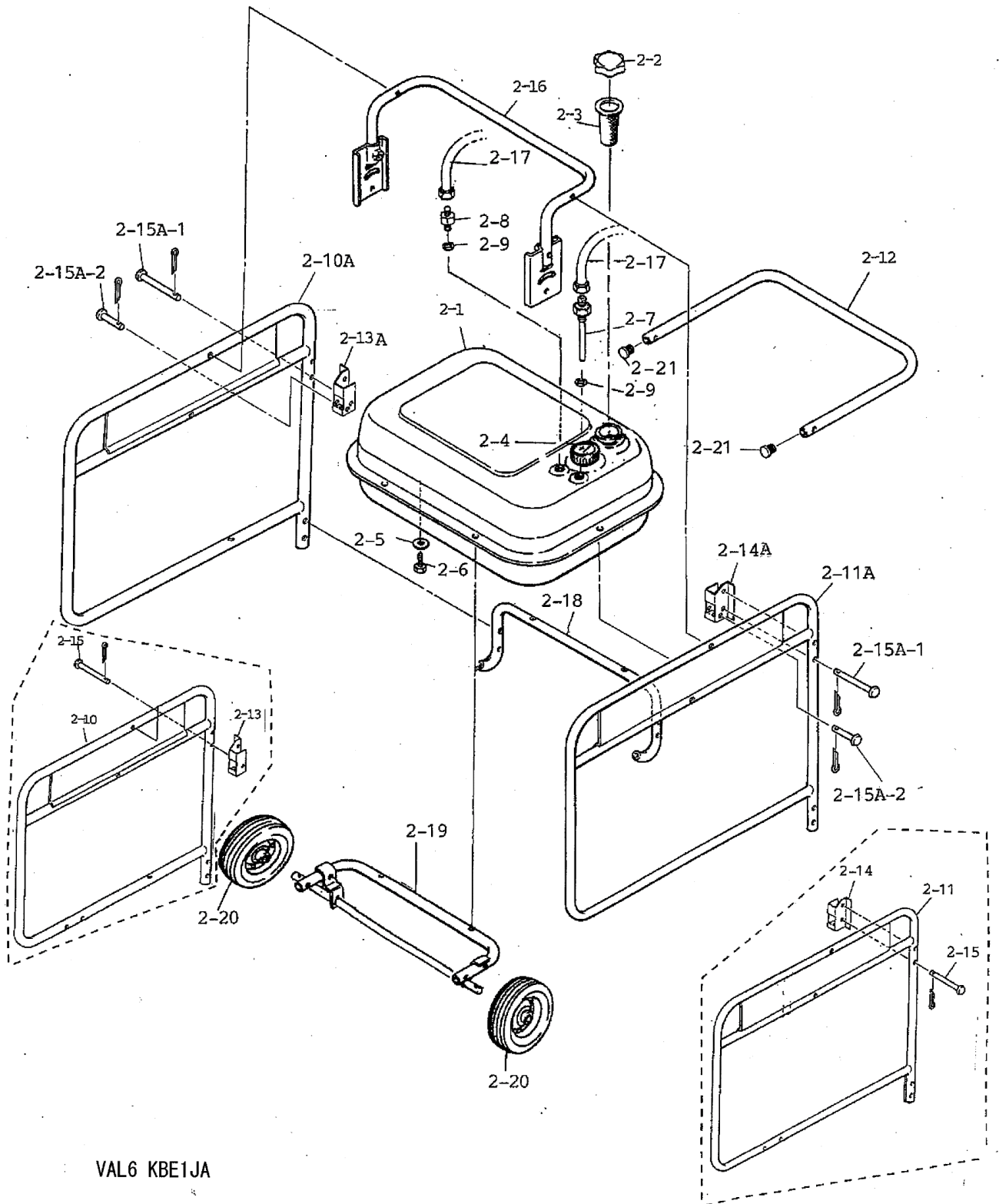
VAL6 KBE1JA (Main Unit)

VAL6 1JA Radiation Section

PART NO.	PART NAME	PART ID	CODE NO.	Q'TY /SET	Models	REMARKS
					KBE1JA	
1-1	RADIATION DISK	VAL-KSL-R-01	21022 0001-1	1	●	
1-2	CONICAL INSULATOR	VAL-1JA-R-02	21022 0001-2	1	●	
1-3	DRUM	VAL-1JA-R-03	21022 0001-3	1	●	
1-4	CONICAL HOUSING	VAL-1JA-R-04	21022 0001-4	1	●	
1-5	BURNER FITTING PIECE	VAL-1JA-R-05	21022 0001-5	1	●	
1-6	VISOR	VAL-1JA-R-06	21022 0001-6	1	●	
1-7	GUARD RAIL	VAL-1JA-R-07	21022 0001-7	1	●	
1-8	BURNER STAY	VAL-1JA-R-08	21650 100106	1	●	
1-9	ANGLE ADJUSTMENT BOLT	VAL-1JA-R-09	50229 202074	1	●	
1-14	CAUTION LABEL PLATE	VAL-1JA-R-14	50298 203A05	1	●※	

※not shown in drawing

(Fuel tank)



VAL6 KBE1JA

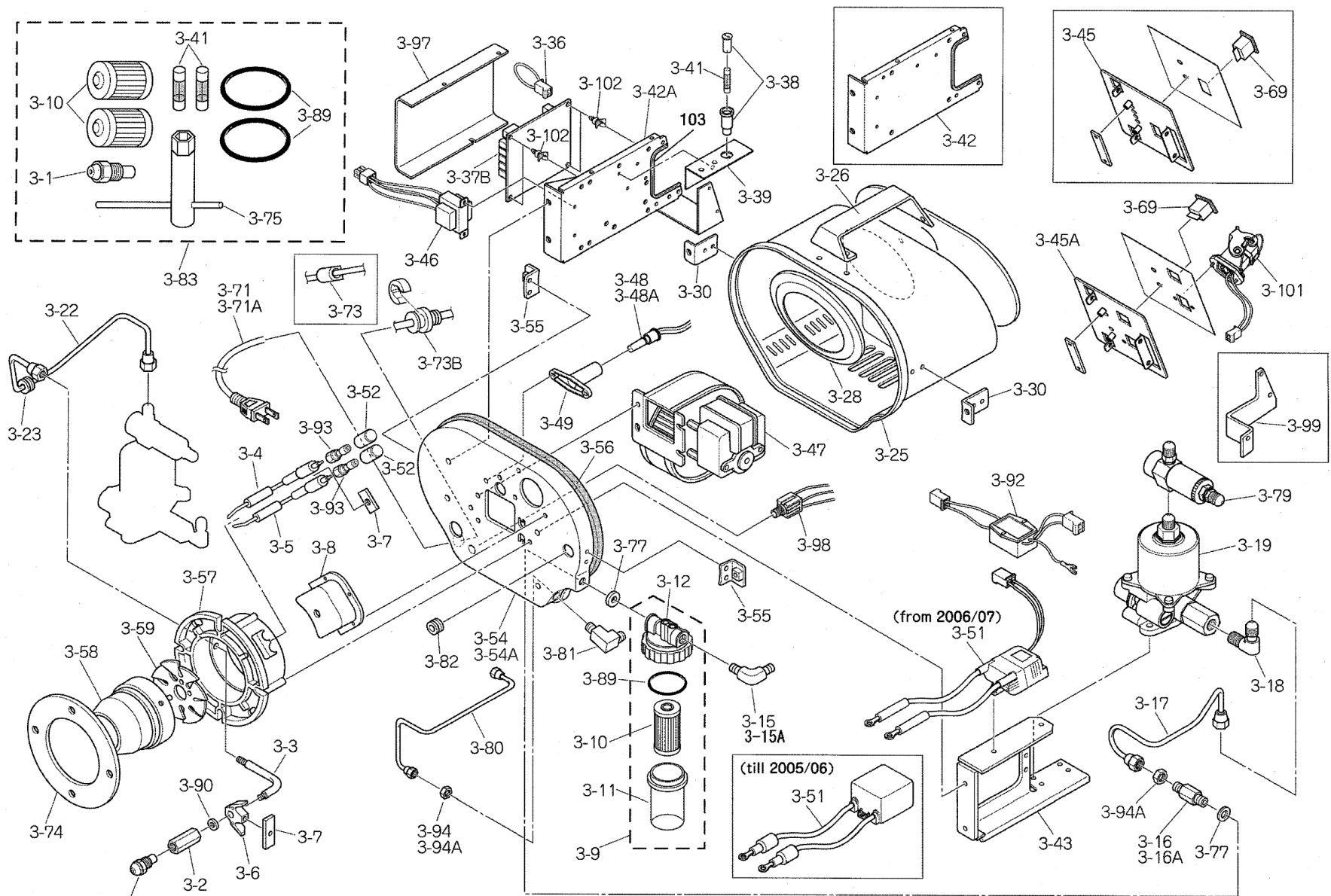
VAL6 1JA Tank Section

PART NO.	PART NAME	PART ID	CODE NO.	Q'TY/ SET	Models	REMARKS
					KBE1JA	
2-1	FUEL TANK	VAL-1JA-T-01	50278 102007	1	N/A	changed to 50278102002
			50278 102002	1	N/A	changed to 50309180001
			50309 180001	1	•	57L INCLUDE 2-2,2-3 ,2-4, 2-5 & 2-6
2-2	TANK CAP	VAL-KSL-T-18	50221 103003	1	•	
		VAL-EPX-3-15	50335 102008	1	•	from 2016 Z-01
2-3	TANK FILTER	VAL-KSL-T-19	22011 0002-8	1	•	
2-4	FUEL GAUGE	VAL-KSL-T-17V	50278 102003	1	•	till 2016/17
		VAL-KSL-T-17W	50298 202019	1	•	from 2017/18
2-5	DRAIN PACKING	VAL-KSL-T-21	50231 204021	1	•	M16
2-6	DRAIN BOLT	VAL-KSL-T-22	50231 204020	1	•	M16
2-7	SUCTION PIPE	VAL-1JA-T-07	50278 102004	1	•	
2-8	RETURN NIPPLE	VAL-KSL-T-14	50212 205004	1	•	
2-9	SUCTION PACKING	VAL-KSL-T-15	21650 100207	2	•	
2-10	FRAME (R)	VAL-1JA-T-10	50260 102005	1	N/A	till 2005
2-10A		VAL-1JA-T-10A	50309 102002	1	•	from 2006
2-11	FRAME (L)	VAL-1JA-T-11	50260 102006	1	N/A	till 2005
2-11A		VAL-1JA-T-11A	50309 102003	1	•	from 2006
2-12	HANDLE	VAL-1JA-T-12	50260 202009	1	□	till 2005
2-12A		VAL-1JA-T-12A	50309 202006	1	•	from 2006
2-13	HANDLE STAY BRACKET (R)	VAL-1JA-T-13	50260 202010	1	N/A	till 2005

VAL6 1JA Tank Section

PART NO.	PART NAME	PART ID	CODE NO.	Q'TY/ SET	Models	REMARKS
					KBE1JA	
2-13A	HANDLE STAY BRACKET (R)	VAL-1JA-T-13A	50309 202007	1	•	from 2006
2-14	HANDLE STAY BRACKET (L)	VAL-1JA-T-14	50260 202011	1	N/A	till 2005
2-14A		VAL-1JA-T-14A	50309 202008	1	•	from 2006
2-15	FIXING PIN	VAL-1JA-T-15	50260 202012	2	□	till 2005
2-15A-1	FIXING PIN(L)	VAL-1JA-T-15A1	50309 202009	2	•	from 2006 ϕ 8x60
2-15A-2	FIXING PIN(S)	VAL-1JA-T-15A2	50309 202010	2	•	from 2006 ϕ 8x38
2-16	HOLDER PIPE	VAL-1JA-T-16	21650 100213	1	•	
2-17	FUEL HOSE	VAL-EPX-2-17	50220 203003	2	•	L=450mm
2-18	TANK LEG	VAL-1JA-T-18	50278 202002	1	•	
2-19	WHEEL SHAFT ASSEMBLY	VAL-1JA-T-19	50278 102008	1	•	
2-20	WHEEL	VAL-NA-T-16	50201 204006	2	•	
2-21	PIPE END CAP	VAL-KSL-T-09A	50330 202009	2	•	from 2006

□-mark means that the parts supply period is over and there are limited numbers of stock.



VAL6 EP6JA/KBE1JA 110V Burner.

VAL6 1JA Burner Section

PART NO.	PART NAME	PART ID.	CODE NO.	Q'TY /SET	Models		REMARKS
					KBE1JA	110-120V	
3A	BURNER ASSEMBLY		50323 101001	1	N/A	available on request together with production of products	
3-1	NOZZLE(1.0G)	VAL-1JA-B-01	21022 0003-1	1	●		
3-2	NOZZLE HOLDER	VAL-1JA-B-02	21022 0003-2	1	●		
3-3	NOZZLE PIPE	VAL-1JA-B-03	21022 0003-3	1	●		
3-4	ELECTRODE (RH)	VAL-1JA-B-04	21022 0003-4	1	●	Include 3-93	
3-5	ELECTRODE (LH)	VAL-1JA-B-05	21022 0003-5	1	●	Include 3-93	
3-6	ELECTRODE STAY	VAL-1JA-B-06	21022 0003-6	1	●		
3-7	ELECTRODE FITTING PLATE	VAL-1JA-B-07	21022 0003-7	2	●		
3-8	ELECTRODE COVER		21022 0003-8	1	N/A	changed to 213005-03-11	
		VAL-1JA-B-08	21300 503-11	1	●		
3-9	FUEL FILTER COMP.	VAL-KSL-B-13	21021 0003-9	1	●	including 21021003-10	
			50204 201085	1	N/A	from 2004 till 2006	
3-10	FILTER ELEMENT	VAL-KSL-B-14	21021 003-10	1	●		
			50204 201082	1	N/A	from 2004 till 2006	
3-11	FILTER BOWL	VAL-1JA-B-11	21021 003-11	1	●		
3-12	FILTER BODY	VAL-1JA-B-12	21021 003-12	1	●		
3-15	ELBOW NIPPLE	VAL-1JA-B-15	21021 003-15	1	N/A	till 2003/04, except EP6J & EP8J	
3-15A		VAL-1JA-B-15A	50305 201003	1	●	from 2004/05	
3-16	FILTER NIPPLE	VAL-1JA-B-16	21021 003-16	1	□	till 2005/06 →50204201075	
3-16A		VAL-1JA-B-16A	50306 201010	1	●	from 2006/07	
3-17	FUEL INTAKE LINE	VAL-1JA-B-17	50280 202009	1	●		
3-18	PUMP ELBOW	VAL-1JA-B-18	50204 201025	1	●		
3-19	FUEL PUMP w/o AIR VENT VALVE	VAL-1JA-B-19O	50322 201A02	1	●	VSGX63 from 2006/07	
3-19	FUEL PUMP w/ AIR VENT VALVE	VAL-1JA-B-19	50322 201002	1	●		
3-22	FUEL OUTLET LINE	VAL-1JA-B-22	50280 202010	1	●		
3-23	PUMP NOZZLE GROMMET	VAL-KSL-B-23	21022 003-25	1	●		
3-25	HOUSING with Operation/Housing ornament/Name stickers	VAL-1JA-B-25	21021 003-25	1	●	include 3-26,3-28,3-30	
3-26	HOUSING GRIP	VAL-1JA-B-26	21022 003-28	1	●		
3-28	HOUSING SEAL (A)	VAL-1JA-B-28	21300 503-65	1	●		
3-30	HOUSING FITTING PIECE(A)	VAL-1JA-B-30	21021 003-30	2	●		
3-36	SHORT CIRCUIT CORD	VAL-KSL-B-31	50249 203047	→※	●	※EP6JA/KBE1JA: 2 pcs till 2004/05, 1pc from 2005/06	

VAL6 1JA Burner Section

PART NO.	PART NAME	PART ID.	CODE NO.	Q'TY /SET	Models		REMARKS
					KBE1JA		
					110-120V		
3-37	BURNER CONTROL		50291 201001	1	N/A		P6JA&KBE1JA: till 2004/05, changed to 50321204005 EP8JA: till 2005/06, changed to 50308201009
3-37	BURNER CONTROL		21021 003-37	1	N/A		changed to 50204180001
3-37A	BURNER CONTROL		50321 204003	1	N/A		for 2005/06, changed to 50321204005
3-37B	BURNER CONTROL	VAL-KSL-B-25B	50321 204005	1	•		from 2006/07
3-38	FUSE HOLDER	VAL-1JA-B-38	50291 201004	1	•		
3-39	FUSE HOLDER BRACKET	VAL-1JA-B-39	50291 201018	1	•		EP6JA/EP8JA110V :from 2006/07
3-39			50312 201003	1	N/A		till 2005/06
3-41	FUSE (1.6A)	VAL-1JA-B-41	50291 201006	1	•		
3-42	CONTROL CHASSIS	VAL-1JA-B-42	22215 030015	1	•		till 2006/07(J lot)
3-42A	CONTROL CHASSIS	VAL-1JA-B-42A	50306 101005	1	•		from 2007/08 (I lot)
3-43	PUMP TRANSFORMER BRACKET	VAL-1JA-B-43	21300 503-48	1	•		
3-45	FACE PLATE with sticker	VAL-1JA-B-45	50291 201007	1	N/A		till 2005/06
3-45A	FACE PLATE with sticker	VAL-1JA-B-45A	50306 201008	1	•		for 2006/07, changed to 50306101006
3-45A	FACE PLATE with sticker	VAL-1JA-B-45A	50306 101006	1	•		from 2007/08 (I lot)
3-46	STEP DOWN TRANSFORMER	VAL-1JA-B-46	50300 201005	1	•		
3-47	FAN MOTOR	VAL-1JA-B-47	50322 201003	1	•		
3-48	FLAME MONITOR		50262 202030	1	□		till 2005/06 3-49付→50262102008
3-48A	FLAME MONITOR	VAL-KSL-B-11	50306 101003	1	•		from 2006/07
3-49	FLAME MONITOR HOLDER	VAL-1JA-B-49	50262 202029	1	•		
3-51	IGNITION TRANSFORMER	VAL-1JA-B-51	50312 201004	1	•		with primary leads from 2006/07. 3-92 Noisefilter assembly must be removed when the trans. used till 2005/06 is replaced with new one from 2006/07.
3-52	INSULATING CAP	VAL-1JA-B-52	50291 201016	2	•		
3-54	HOUSING END	VAL-1JA-B-54	50280 20200A	1	N/A		KBE1JA: till 2005/06
3-54A	HOUSING END	VAL-1JA-B-54A	50306 201006	1	•		from 2006/07 (S): from 2007/08
3-55	HOUSING FITTING PIECE(B)	VAL-1JA-B-55	21021 003-55	2	•		
3-56	HOUSING SEAL (B)	VAL-1JA-B-56	21022 003-54	1	•		
3-57	BURNER BOSS	VAL-1JA-B-57	21022 003-55	1	•		
3-58	BURNER CONE	VAL-1JA-B-58	21022 003-56	1	•		
3-59	WHIRL VANE	VAL-1JA-B-59	21022 003-57	1	•		
3-69	SWITCH	VAL-1JA-B-69	50291 101002	1	•		

VAL6 1JA Burner Section

PART NO.	PART NAME	PART ID.	CODE NO.	Q'TY /SET	Models		REMARKS
					KBE1JA		
					110-120V		
3-71	POWER CABLE	VAL-1JA-B-71	50312 201005	1	N/A	till 2005/06, with plug & 3-73	
3-71A	POWER CABLE	VAL-1JA-B-71A	50312 2A1005	1	•	from 2006/07 with mold plug & stopper(D)	
3-71A	POWER CABLE		50323 201003	1	N/A	from 2006/07 J-07 with mold 3P plug	
3-73	CABLE STOPPER	VAL-1JA-B-73	50221 2A2028	1	□	EP6/8/KBE1JA230V: till 2003/04, 110V: till 2005/06, EP6J & 8J : from 1997/98(HEYCO)	
3-73B	CABLE STOPPER	VAL-1JA-B-73B	50205 201017	1	•	from 2006/2007(D) included in 3-71B, (S):from 2007/08	
3-74	BURNER PACKING	VAL-1JA-B-74	50298 201016	1	•		
3-75	NOZZLE SPANNER	VAL-1JA-B-75	21022 003-68	1	•		
3-77	WASHER	VAL-1JA-B-77	21022 003-45	2	□	till 2005/06, except EP6J&8J	
3-79	AIR VENT VALVE	VAL-1JA-B-79	21062 003-67	1	•		
3-80	RETURN LINE	VAL-1JA-B-80	50291 201013	1	•		
3-81	RETURN LINE NIPPLE	VAL-1JA-B-81	21300 503-60	1	N/A	discontinued, changed to 1JA-B-33	
3-81	RETURN LINE NIPPLE	VAL-1JA-B-33	50213 201007	1	•		
3-82	RUBBER CAP	VAL-1JA-B-82	21021 003-82	1	•	dia. 15	
3-83	REPAIR SET	VAL-1JA-B-83	50305 203-83	1	•		
3-89	O-RING	VAL-1JA-B-89	21021 003-13	1	•		
		VAL-1JA-B-89A	50204 201083	1	N/A	changed to 1JA-B-89	
3-90	WASHER	VAL-1JA-B-90	21300 5003-6	1	•		
3-92	NOISE FILTER ASSEMBLY	VAL-1JA-B-92	50303 201011	1	□	till 2005/06	
3-93	ELECTRODE NIPPLE	VAL-1JA-B-93	21021 003-93	2	•		
3-94	NIPPLE FITTING NUT	VAL-1JA-B-94	21300 503-58	1	□	till 2005/06, except EP6J&8J	
3-94A		VAL-1JA-B-94A	50306 201011	2	•	from 2006/07	
3-97	BURNER CONTROL COVER	VAL-1JA-B-97	22215 030013	1	•		
3-98	JACK	VAL-1JA-B-98	50306 201002	1	□	except EP6A, till 2005/06	
3-99	FACE PLATE BRACKET	VAL-1JA-B-99	21300 503-72	1	□	till 2006/07(J lot)	
3-101	THERMOSTAT CONNECTOR	VAL-1JA-B-101	50306 201007	1	•	from 2006/07	
3-102	CONTROL SUPPORT	VAL-1JA-B-102	50229 201037	4	•		
Option※	SHIELDING MAT(10pieces pack)	VAL-MAT	50300 205001		•		