

SPARE PARTS LIST

for

Forced Air Heater

Model

HOT GUN

HG 125NA

Drawing up: August 2005

Revised: August 2006

May 2007

March 2009

March 2010

September 2010

March 2011

March 2012

March 2013

June 2013

June 2014

January 2015

Shizuoka Seiki Co., Ltd.

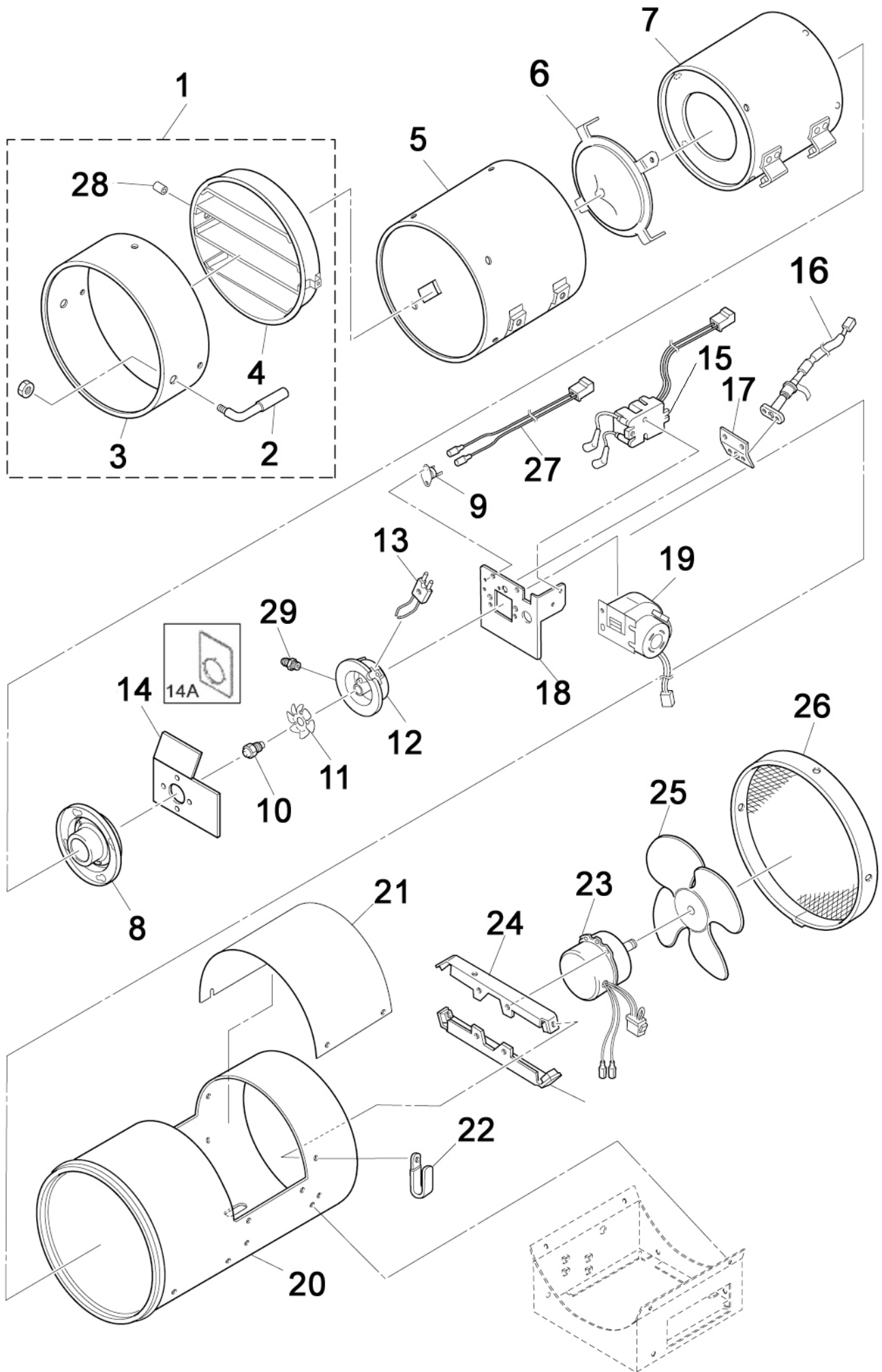
*** PRICES AND SPECIFICATIONS SUBJECT TO CHANGE WITHOUT NOTICE***

© 2015 J.S.O'will, Inc.. Shizuoka Seiki Co. Ltd. All Rights Reserved.

Year of manufacture for VAL6 Heaters

Year of manufacture	2001	2002	2003	2004	2005	2006	2007
Serial number (alphabet)	S	R	Q	P	N	J	I

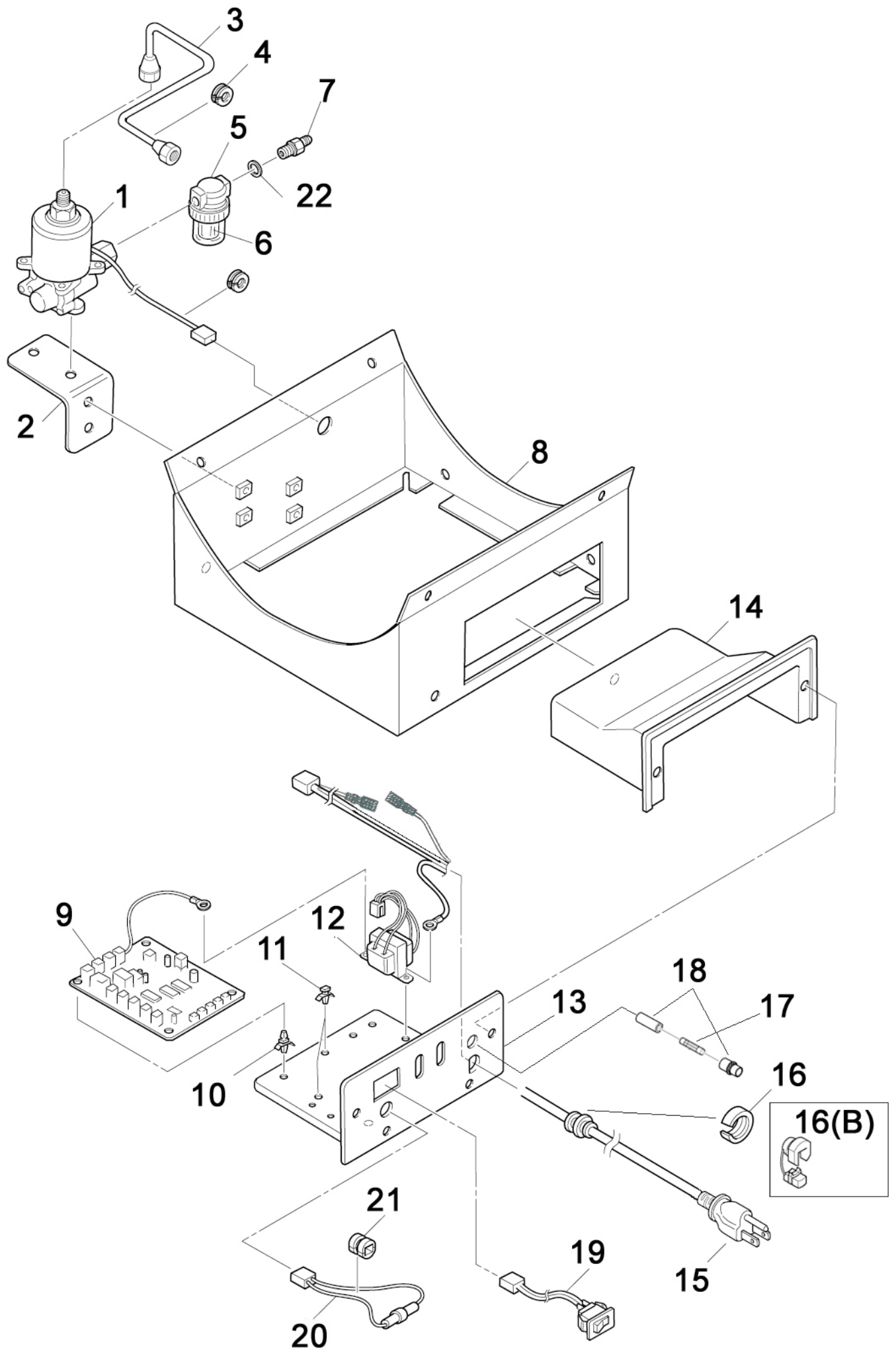
Year of manufacture	2008	2009	2010	2011	2012	2013	2014
Serial number (alphabet)	H	G	F	E	D	C	B



HG-125NA Main Section

HG125NA Hotgun Main Section

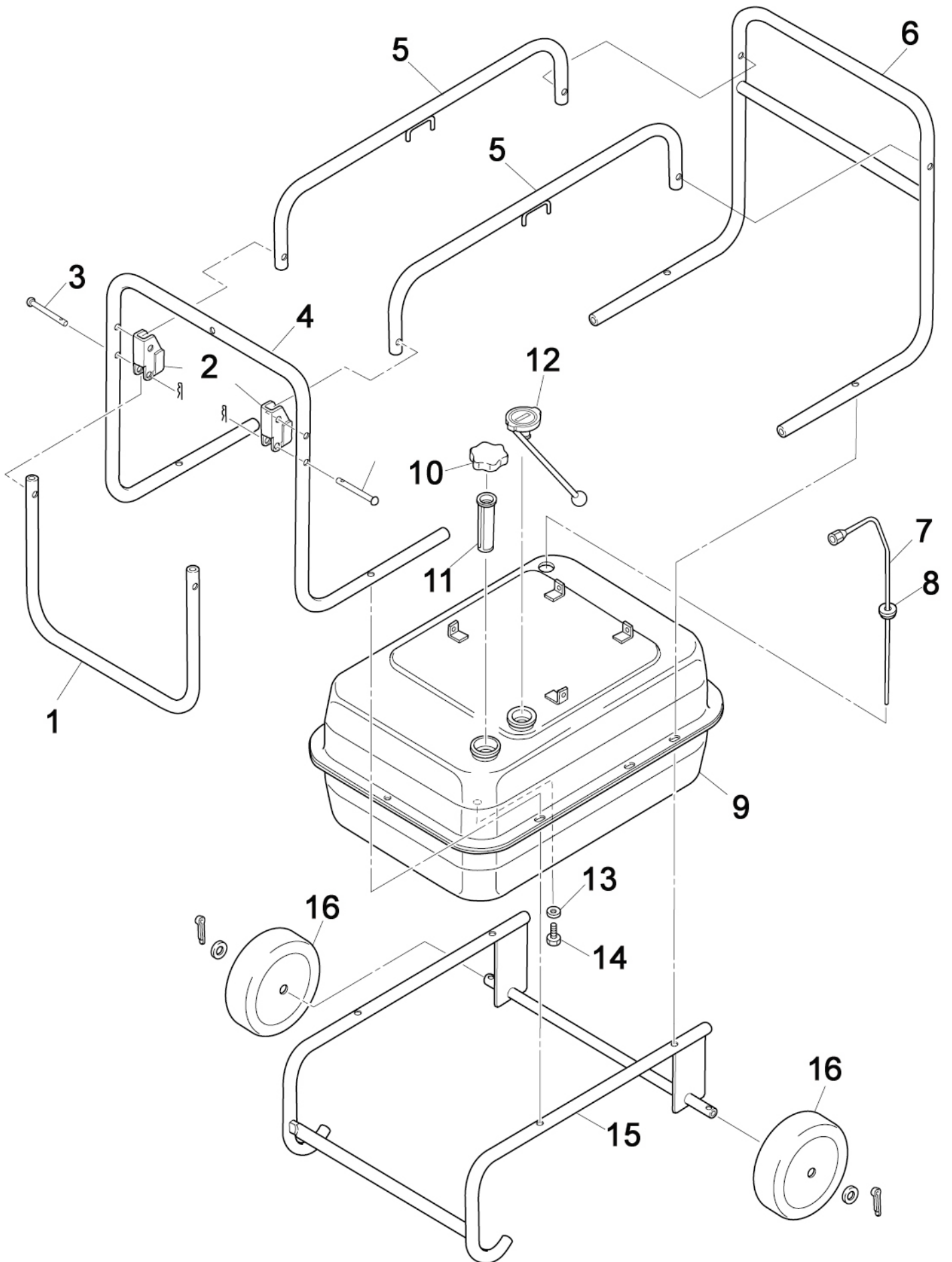
Part No.	PART NAME <MAIN SECTION>	U.S. PARTS CODE	CODE NO.	Q'TY	125NA	REMARKS
				/SET	120V	
1-1	SPOUT UNIT ASS'Y	VAL-NA-R-1	50284 101005	1	●	INCLUDE No.2,3,4,28
1-2	LEVER	VAL-NA-R-2	50284 201014	1	●	
1-3	LOUVER SUPPORT	VAL-NA-R-3	50284 201023	1	●	
1-4	LOUVER	VAL-NA-R-4	50284 101006	1	●	
1-5	HEAT ISOLATION DRUM	VAL-NA-R-5	50284 101003	1	●	
1-6	FLAME BARRIER	VAL-NA-R-6	50284 201007	1	●	
1-7	COMBUSTION CHAMBER	VAL-NA-R-7	50284 101002	1	●	
1-8	BURNER CONE	VAL-NA-R-8	50284 102003	1	●	
1-9	OVERHEAT PROTECTOR	VAL-NA-R-9	50262 202018	1	●	
1-10	NOZZLE (0.85 gal)	VAL-NA-R-10	50300 201018	1	●	
1-11	WHIRL VANE	VAL-NA-R-11	50284 202002	1	●	
1-12	BURNER BOSS	VAL-NA-R-12	50284 202007	1	●	
1-13	ELECTRODE	VAL-NA-R-13	50262 202010	1	●	
1-14	INSULATING PLATE	VAL-NA-R-14	50284 202013	1	N/A	till 06/07 changed to 50327 202002
1-14A		VAL-NA-R-14A	50327 202002	1	●	from 07/08
1-15	IGNITION TRANSFORMER	VAL-NA-R-15	50284 202010	1	●	till 06/07
		VAL-NA-R-15A	50321 202003	1	●	from 07/08
1-16	FLAME MONITOR	VAL-NA-R-16	50284 102004	1	●	till 05/06, with holder & connector
		VAL-NA-R-16A	50321 102003	1	●	from 06/07, with holder & connector
1-17	FLAME MONITOR BRACKET	VAL-NA-R-17	50284 202004	1	N/A	till 06/07 changed to 50327 202003
		VAL-NA-R-17A	50327 202003	1	●	from 07/08
1-18	FAN MOTOR BRACKET	VAL-NA-R-18	50284 202012	1	●	
1-19	COMBUSTION FAN	VAL-NA-R-19	50321 202001	1	●	Air inlet opening: 60Hz-2, 50Hz-8
1-20	CASING	VAL-NA-R-20	50284 201001	1	●	
1-21	COVER	VAL-NA-R-21	50321 101001	1	●	
1-22	CABLE HANGER	VAL-NA-R-22	50242 202035	1	●	
1-23	BLOWER MOTOR	VAL-NA-R-23	50284 201012	1	N/A	till 2012/13 changed to 50327 201006
		VAL-NA-R-23	50327 201006	1	●	till 2012/13
1-23A		VAL-NA-R-23A	50321 201006	1	●	from 2013/14 C-01
1-24	BLOWER MOTOR BRACKET	VAL-NA-R-24	50284 201013	2	●	
1-25	VANE	VAL-NA-R-25	50229 202045	1	●	
1-26	GUARD	VAL-NA-R-26	50284 101007	1	●	
1-27	OVERHEAT PROTECTOR CABLE	VAL-NA-R-27	50272 202014	1	●	L=600mm, till 2012/13
		VAL-NA-R-27A	50321 202004	1	●	from 2013/14 C-01
1-28	LOUVER COLLAR	VAL-NA-R-28	50284 201025	1	●	
1-29	NOZZLE NIPPLE	VAL-NA-R-29	50217 202052	1	●	



HG-125NA Control Section

HG125NA Hotgun Control Section

Part No.	PART NAME <CONTROL SECTION>	U.S. PARTS CODE	CODE NO.	Q'TY	125NA	REMARKS
				/SET	120V	
2-1	FUEL PUMP	VAL-NA-B-1	50321 203001	1	●	
2-2	PUMP BRACKET	VAL-NA-B-2	50296 203005	1	●	
2-3	PUMP-NOZZLE LINE	VAL-NA-B-3	50296 203008	1	●	
2-4	PUMP-NOZZLE GROMMET	VAL-NA-B-4	21300 503-15	2	●	
2-5	FUEL FILTER COMP.	VAL-NA-B-5	50204 201085	1	N/A	INCLUDE No.6 till 06/07
		VAL-NA-B-5A	210210 003-9	1	●	f rom 07/08 (ONDA) including 21021003-10 TAISAN
2-6	FILTER ELEMENT	VAL-NA-B-6	50204 201082	1	N/A	till 2006/07
		VAL-KSL-B-14	21021 003-10	1	●	
2-7	NIPPLE	VAL-NA-B-7	21021 003-16	1	●	
2-8	CASING SUPPORT	VAL-NA-B-8	50284 103005	1	●	
2-9	BURNER CONTROL	VAL-NA-B-9	50321 204003	1	N/A	till 05/06, changed to 50321204005
		VAL-NA-B-09A	50321 204005	1	●	from 06/07, till 2012/13
		VAL-KSL-B-25E	50330 201020	1	●	from 2013/14 C-01
2-10	CONTROL BOARD SUPPORT	VAL-NA-B-10	50229 201037	4	●	
2-11	CONTROL BOARD SPACER	VAL-NA-B-11	50271 202023	2	●	
2-12	TRANSFORMER	VAL-NA-B-12	50300 201005	1	●	
2-13	FACE PLATE	VAL-NA-B-13	50321 104003	1	●	with face plate
2-14	BURNER CONTROL COVER	VAL-NA-B-14	50284 204003	1	●	
2-15	POWER CABLE including plug	VAL-NA-B-15	50321 204001	1	●	till 03/04
		VAL-NA-B-15A	50300 201027	1	●	from 04/05 till 05/06
		VAL-NA-B-15B	50321 204006	1	●	from 06/07, with No16, till 12/13
		VAL-NA-B-15C	50321 204007	1	●	from 2013/14 C-01
2-16	CABLE STOPPER	VAL-NA-B-16	50205 201017	1	●	till 03/04, from 06/07
2-16B		VAL-NA-B-16B	50221 2A2028	1	●	from 04/05 till 05/06
2-17	FUSE (3A)	VAL-NA-B-17	50300 201026	1	●	3A
2-18	FUSE HOLDER	VAL-NA-B-18	50217 202034	1	●	till 03/04
		VAL-KSL-B-18A	50300 201024	1	●	from 04/05
2-19	SWITCH	VAL-NA-B-19	50284 104003	1	●	L=180mm
		VAL-NA-B-19A	50321 104004	1	●	from 2013/14 C-01
2-20	THERMOSTAT CABLE	VAL-NA-B-20	50266 202007	1	●	till 05/06, L=230mm
		VAL-NA-B-20A	50288 204015	1	●	from 06/07
		VAL-NA-B-20B	50321 204008	1	●	from 2013/14 C-01
2-21	VIBRATION SENSOR HOLDER	VAL-NA-B-21	50219 201063	1	●	
2-22	WASHER	VAL-NA-B-22	21022 003-45	1	●	



HG-125NA Tank Section

HG125NA Hotgun Tank Section

Part No.	PART NAME <TANK SECTION>	U.S. PARTS CODE	CODE NO.	Q'TY	125NA	REMARKS
				/SET	120V	
3-1	HANDLE BAR	VAL-NA-T-1	50242 2B3017	1	●	
3-2	HANDLE SUPPORT	VAL-NA-T-2	50321 103005	2	●	
3-3	RIVET	VAL-NA-T-3	50242 203018	2	●	
3-4	GRIP (F)	VAL-NA-T-4	50284 203003	1	●	
3-5	REINFORCEMENT BAR	VAL-NA-T-5	50242 1B3008	2	●	
3-6	GRIP (B)	VAL-NA-T-6	50284 203004	1	●	
3-7	SUCTION PIPE	VAL-NA-T-7	50296 203007	1	●	
3-8	SUCTION PIPE PACKING	VAL-NA-T-8	50211 205015	1	●	
3-9	FUEL TANK	VAL-NA-T-9	50321 103002	1	●	
3-10	FILLER CAP	VAL-NA-T-10	50219 102003	1	●	
3-11	TANK INLET FILTER	VAL-NA-T-11	21022 002-11	1	●	50231204014
3-12	FUEL GAUGE	VAL-NA-T-12	50260 102003	1	●	
3-13	DRAIN PACKING	VAL-NA-T-13	50231 204021	1	●	
3-14	DRAIN BOLT	VAL-NA-T-14	50231 204020	1	●	M16
3-15	WHEEL SHAFT ASS'Y	VAL-NA-T-15	50321 103004	1	●	
3-16	WHEEL	VAL-NA-T-16	50201 204006	2	●	dia. = 200mm