

# SPARE PARTS LIST

for

*Infrared oil heater*

*Model*

**VAL6**

Type

- ◆ MPX5 for 120V 60Hz

May, 2017

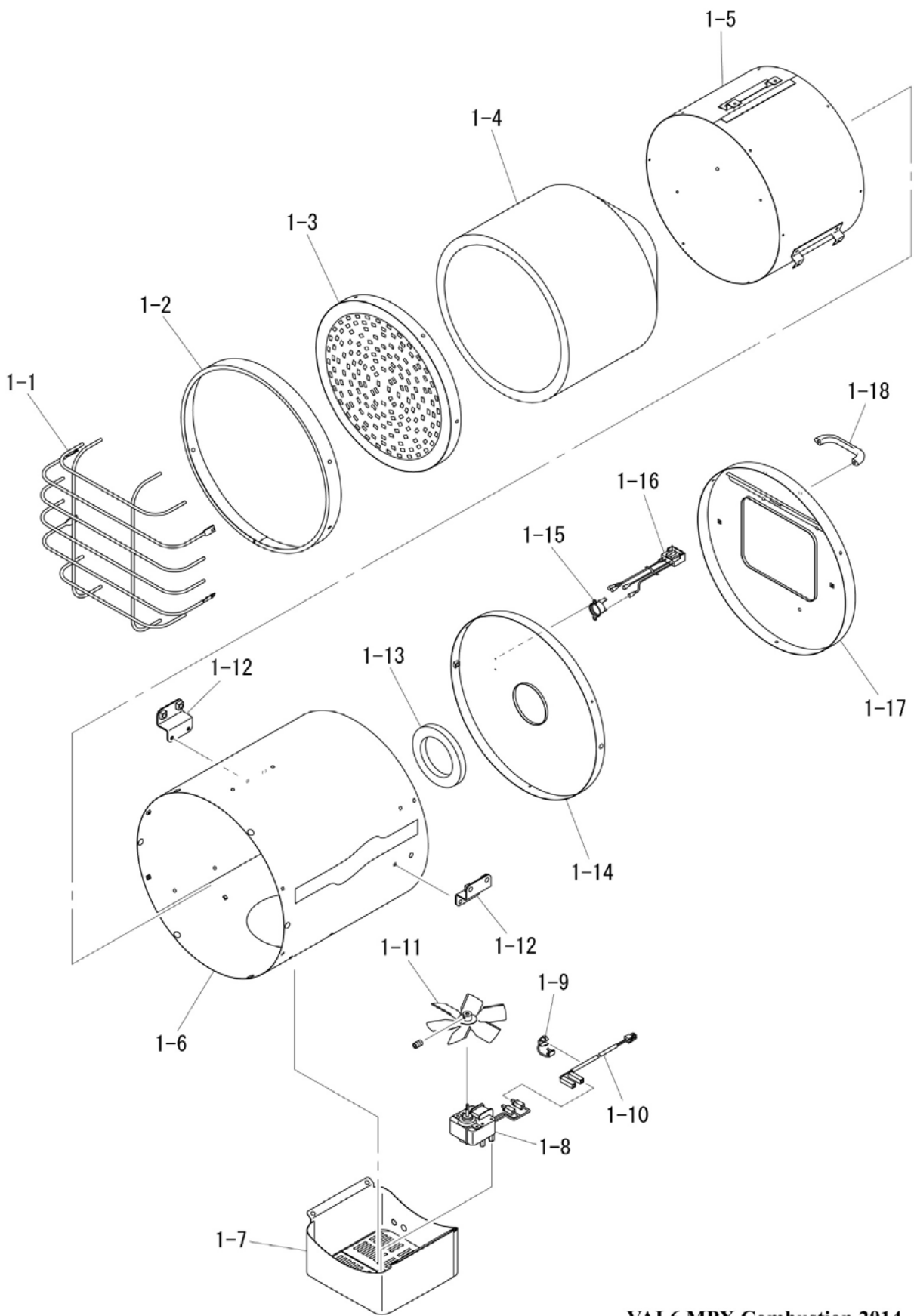
***Shizuoka Seiki Co., Ltd.***

\* PRICES AND SPECIFICATIONS ARE SUBJECT TO CHANGE WITHOUT NOTICE\*

© 2017 J.S.O'will, Inc.. Shizuoka Seiki Co. Ltd. All Rights Reserved.

### Serial Number History

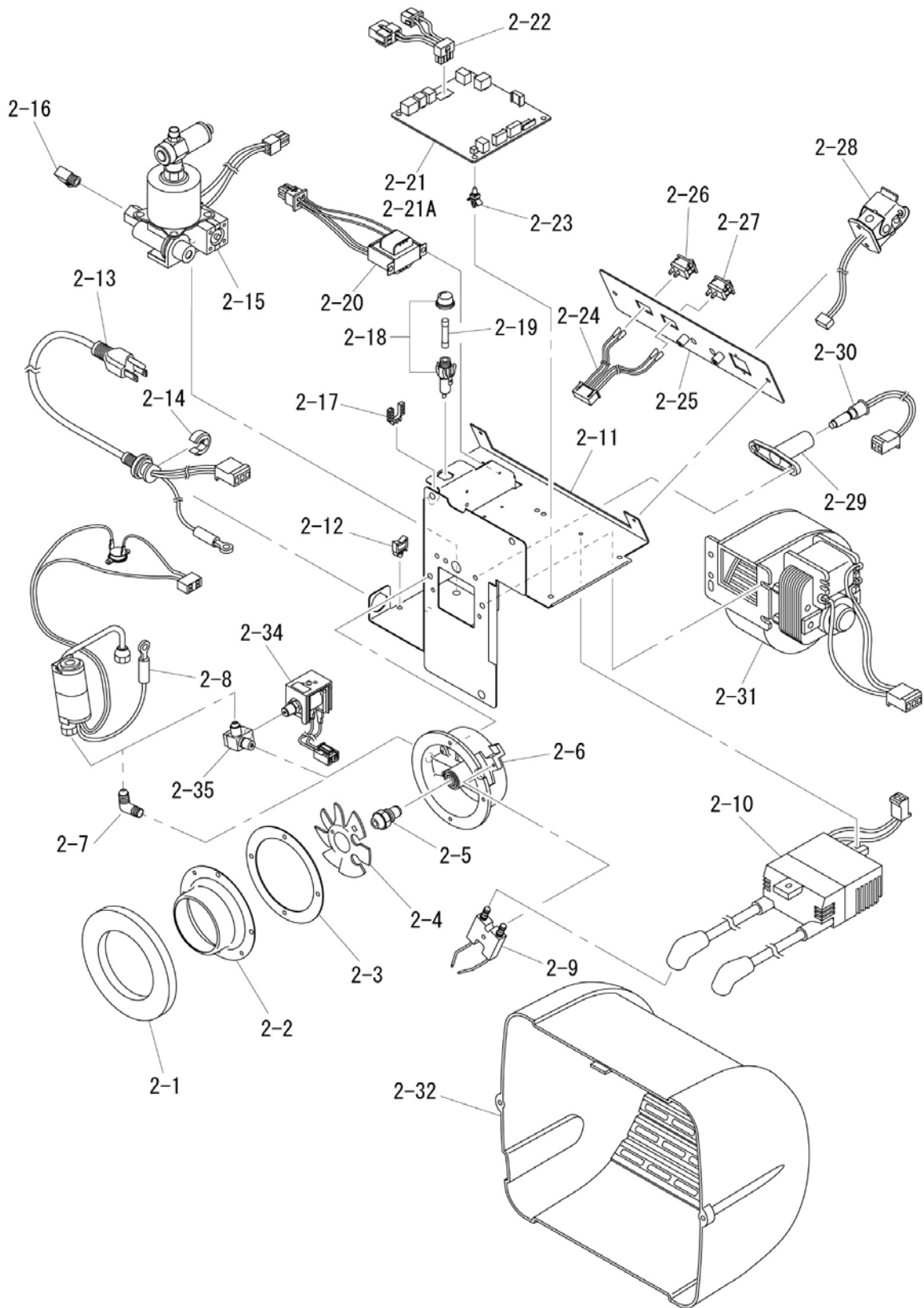
2001-2002	S lot
2002-2003	R lot
2003-2004	Q lot
2004-2005	P lot
2005-2006	N lot
2006-2007	J lot
2007-2008	I lot
2008-2009	H lot
2009-2010	G lot
2010-2011	F lot
2011-2012	E lot
2012-2013	D lot
2013-2014	C lot
2014-2015	B lot
2015-2016	A lot
2016-2017	Z lot
2017-2018	Y lot



**VAL6 MPX Combustion 2014**

## VAL6 MPX Radiation Section

PART NO.	PART NAME <RADIATION UNIT>	PART ID	CODE NO.	Q'TY /SET	MPX	REMARKS
1-1	PROTECTOR ASSEMBLY	VAL-MPX-1-01	50346 201012	1	•	
1-2	DRUM FRONT RING	VAL-MPX-1-02	50346 201008	1	•	
1-3	RADIATION DISK	VAL-MPX-1-03	50346 201001	1	•	
1-4	INNER CYLINDER	VAL-MPX-1-04	50346 201002	1	•	
1-5	OUTER CYLINDER	VAL-MPX-1-05	50346 101006	1	•	
1-6	DRUM	VAL-MPX-1-06	50346 201006	1	•	changed to 50346 180001
			50346 180001	2	•	
1-7	DRUM BASE	VAL-MPX-1-07	50346 101005	1	•	
1-8	BLOWER MOTOR		50317 201010	1	•	
1-9	MOTOR CORD STOPPER	VAL-MPX-1-09	50320 202018	1	•	
1-10	RELAY CABLE	VAL-MPX-1-10	50317 203019	1	•	
1-11	BLOWER FAN	VAL-DS-R-15	50310 201020	1	•	
1-12	DRUM BRACKET	VAL-MPX-1-12	50346 201009	2	•	
1-13	BURNER DRAFT PACKING	VAL-DS-R-11B	50317 201013	1	•	
1-14	INSULATOR	VAL-MPX-1-14	50346 201005	1	•	
1-15	OVERHEAT PROTECTION	VAL-MPX-1-15	50255 202018	1	•	
1-16	RELAY FOR OVERHEAT/TIP-OVER	VAL-MPX-1-16	50346 201013	1	•	
1-17	DRUM END	VAL-MPX-1-17	50346 201007	1	•	till 2012, replace with 50346 101008
		VAL-MPX-1-17A	50346 101008	1	•	from 2013 C-01
1-18	GRIP	VAL-MPX-1-18	50509 201027	1	•	



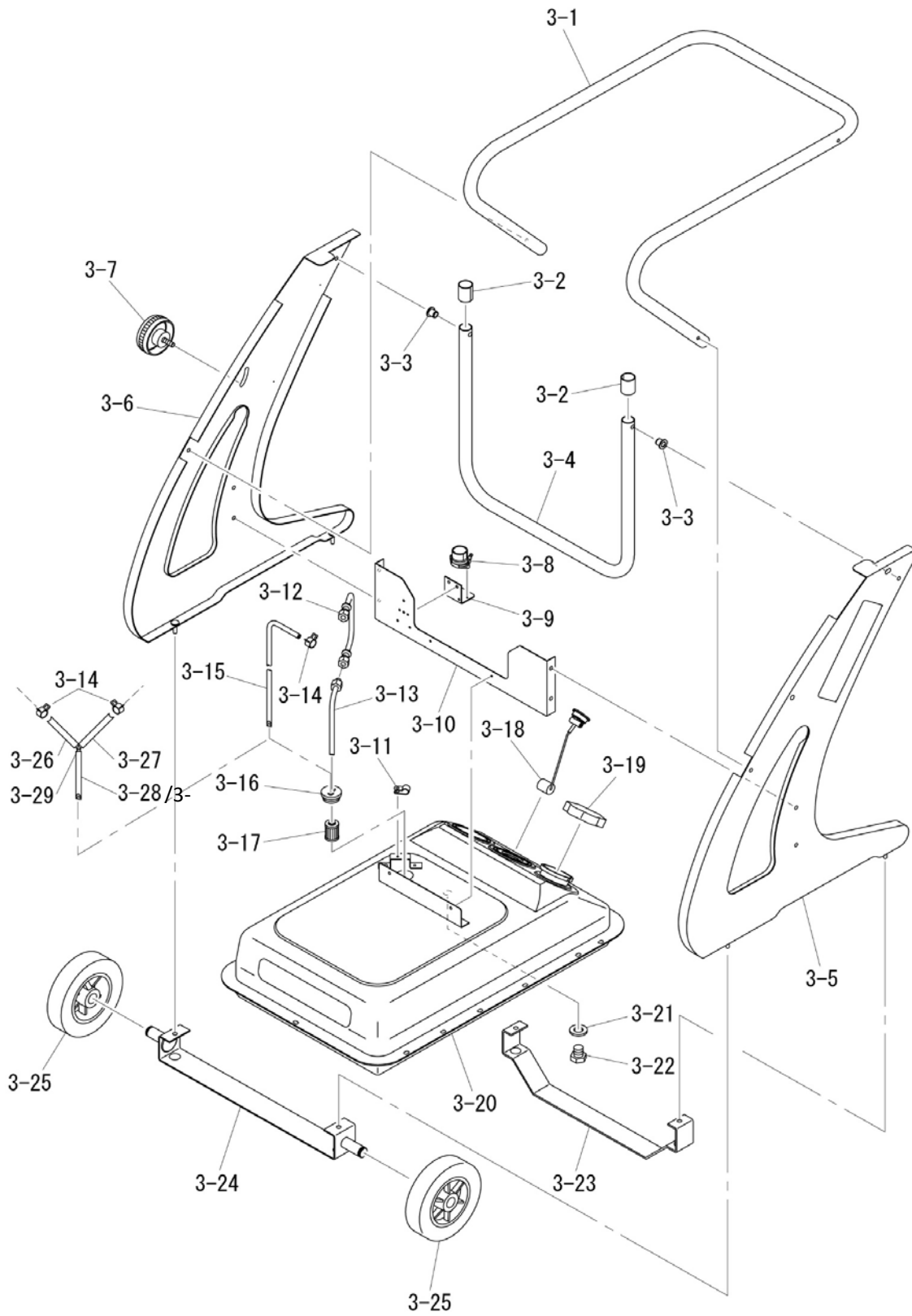
VAL6 MPX Burner 2014

## VAL6 MPX Burner Section

PART NO.	PART NAME <BURNER>	PART ID	CODE NO.	Q'TY /SET	MPX	REMARKS
2-1	BURNER PACKING	VAL-DS-B-10C	50319 202028	1	●	
2-2	BURNER CONE	VAL-KSL-B-01	50300 201017	1	●	
2-3	DIFFUSER PACKING	VAL-KSL-B-03	50298 201020	1	●	
2-4	WHIRL VANE	VAL-DS-B-06A	50319 202027	1	●	
2-5	NOZZLE	VAL-DS-B-05A	50319 202013	1	●	
2-6	DIFFUSER	VAL-DS-B-03	50262 202001	1	●	
2-7	PUMP NIPPLE	VAL-DS-B-04	50204 201025	1	●	till 2012, change to 2-35 from 2013
2-8	FUEL OUTLET LINE with preheater	VAL-MPX-2-08	50346 102007	1	●	
2-9	ELECTRODE	VAL-DS-B-07B	50319 202017	1	●	
2-10	IGNITION TRANSFORMER	VAL-DS-B-21A	50317 202016	1	●	
2-11	BURNER BASE	VAL-MPX-2-11	50346 102002	1	●	
2-12	CORD CLIP	VAL-DS-R-14	50310 201025	1	●	
2-13	POWER CABLE with cable stopper	VAL-MPX-2-13	50346 202009	1	●	with 2-14 (50205 201019)
2-14	CABLE STOPPER	VAL-MPX-2-14	50205 201019	1	●	
2-15	FUEL PUMP with Air vent valve	VAL-MPX-2-15	50346 202005	1	●	
2-16	HOSE NIPPLE	VAL-MPX-2-16	50304 202030	1	●	
2-17	GROMMET	VAL-DS-B-02	50263 202010	1	●	till 2012, replace with 50346 202018
		VAL-DS-B-36	50346 202018	1	●	from 2013 C-01
2-18	FUSE HOLDER	VAL-KSL-B-18A	50300 201024	1	●	
2-19	FUSE (3A)	VAL-KSL-B-17A	50300 201026	1	●	
2-20	STEP DOWN TRANSFORMER	VAL-DS-B-15A	50346 202008	1	●	
2-21	BURNER CONTROL	VAL-KSL-B-25E	50330 201020	1	●	till 2012
2-21A		VAL-MPX-2-21A	50346 202019	1	●	from 2013 C-01
2-22	RELAY FOR FAN/PREHEATER	VAL-MPX-2-22	50346 202017	1	●	
2-23	CONTROL SUPPORT	VAL-MPX-2-23	50229 201037	4	●	
2-24	SWITCH CABLE	VAL-MPX-2-24	50346 202010	1	●	
2-25	FACE PLATE	VAL-MPX-2-25	50346 102006	1	●	
2-26	CHANGE-OVER SWITCH	VAL-MPX-2-26	50254 204007	1	●	
2-27	OPERATION SWITCH	VAL-KSL-B-29B	50254 204006	1	●	
2-28	EXTERNAL THERMOSTAT CONNECTOR	VAL-MPX-2-28	50346 102009	1	●	
2-29	FLAME MONITOR HOLDER	VAL-EPX-2-21	50262 202029	1	●	
2-30	FLAME MONITOR COMPLETE	VAL-EPX-2-22	50335 101009	1	●	
2-31	FAN MOTOR	VAL-MPX-2-31	50346 202007	1	●	
2-32	BURNER COVER		50346 102004	1	●	till 2013, replace with 50348 102003
		VAL-MPX-2-32	50348 102003	1	●	

## VAL6 MPX Burner Section

PART NO.	PART NAME <BURNER>	PART ID	CODE NO.	Q'TY /SET	MPX	REMARKS
2-33	REPAIR SET	VAL-MPX-2-33	50346 100001	1	●	50201 203056 Nozzle wrench *1 50319 202013 Nozzle *1 50317 203004 Filter element *1
2-34	SOLENOID VALVE	VAL-DS-B-35	50346 202020	1	●	from 2013 C-01
2-35	THREE-WAY JOINT	VAL-MPX-2-35	50347 202018	1	●	from 2013 C-01
*option	SHORTPLUG	VAL-MPX-2-36	50306 204001	1	●	from 2014 B-01



VAL6 MPX Fuel tank 2014



## VAL6 MPX Tank Section

□-mark means that the parts supply period is over and there are limited numbers of stock.

PART NO.	PART NAME <FUEL TANK>	PART ID	CODE NO.	Q'TY /SET	MPX	REMARKS
3-1	FRAME	VAL-MPX-3-1	50346 203005	1	●	
3-2	PROTECTIVE PACKING	VAL-MPX-3-2	50346 203013	2	●	
3-3	SPACER	VAL-MPX-3-3	50346 200002	2	●	
3-4	HANDLE	VAL-MPX-3-4	50346 103009	1	●	with 3-2 (50346203013)
3-5	SIDE PANEL(L)	VAL-MPX-3-5	50346 103007	1	●	
3-6	SIDE PANEL(R)	VAL-MPX-3-6	50346 103008	1	●	
3-7	KNOB BOLT	VAL-KSL-T-07	50229 202074	1	●	
3-8	TIP-OVER SWITCH	VAL-KSL-B-44	50298 202015	1	●	
3-9	TIP-OVER SWITCH BRACKET	VAL-MPX-3-9	50346 203009	1	●	
3-10	REINFORCING BASE	VAL-MPX-3-10	50346 203001	1	●	
3-11	POWER CABLE BAND	VAL-MPX-3-11	50320 201038	1	●	
3-12	FUEL HOSE	VAL-MPX-3-12	50254 201006	1	●	
3-13	SUCTION PIPE	VAL-MPX-3-13	50268 103004	1	●	
3-14	HOSE CLAMP	VAL-MPX-3-14	50319 202016	1	●	till 2012
		VAL-KSL-B-50		2	●	from 2013 C-01
3-15	RETURN LINE	VAL-MPX-3-15	50346 203010	1	●	from 2013 change to 3-26, 3-27, 3-28 from 2013 / from 2015 A-01, used in replace of 3-28
3-16	SUCTION RETURN PACKING	VAL-DS-T-05A	50317 203013	1	●	
3-17	FILTER ELEMENT	VAL-DS-T-06	50317 203004	1	●	
3-18	FUEL GAUGE	VAL-MPX-3-18	50268 203006	1	●	
3-19	TANK CAP	VAL-EPX-3-15	50335 102008	1	●	
3-20	FUEL TANK	VAL-MPX-3-20	50346 103003	1	●	replace with 50346180002
			50346 180002	1	●	with 3-18, 3-19, 3-21, 3-22
3-21	DRAIN PACKING	VAL-KSL-T-21	50231 204021	1	●	
3-22	DRAIN BOLT	VAL-KSL-T-22	50231 204020	1	●	with 3-21
3-23	TANK LEG	VAL-MPX-3-23	50346 203002	1	●	
3-24	AXLE ASSEMBLY	VAL-MPX-3-24	50346 103005	1	●	
3-25	WHEEL	VAL-MPX-3-25	50250 203001	2	●	
3-26	RETURN LINE (A)	VAL-MPX-3-26	50346 203017	1	●	from 2013 C-01
3-27	RETURN LINE (B)	VAL-MPX-3-27	50346 203018	1	●	from 2013 C-01
3-28	RETURN LINE (C)	VAL-MPX-3-28	50346 203019	1	●	used from 2013 C-01 till 2014 / from 2015 A-01, change to 3-15 Return line
3-29	Y-SHAPED HOSE JOINT	VAL-MPX-3-29	50346 203020	1	●	from 2013 C-01
3-30*	CONVOLUTED HOSE		50347 200004	1	●	from 2015 A-01

\*Not shown in drawing