

Plunger Pumps

FEATURING

MANIFOLD: High strength forged brass for long term use.

BOLTS: Eight 6mm grade 12.9.

PLUNGERS: A special thick solid ceramic for long life, strong durability and more resilience.

CRANKCASE: Precision die-cast, large cooling fins and anodized for maximum heat dissipation. Sight glass, fill and side and bottom drain plugs.

BEARINGS: Oversized for maximum life and load disbursement, needle bearing on the drive side and ball on the non-drive side. Each bearing is held in position on the crankshaft and crankcase by snap rings. This assures positive alignment and centering of the connecting rods and crankshaft in relation to the crankcase, it also eliminates the crankshaft from floating.

VALVES, SEATS, AND SPRINGS: Stainless steel with specially designed Ultra Form cages to provide extra long life and positive seating.

SEALS AND V-PACKINGS: Continuously lubricating for extended life.

PLUNGER RODS: High strength stainless steel.

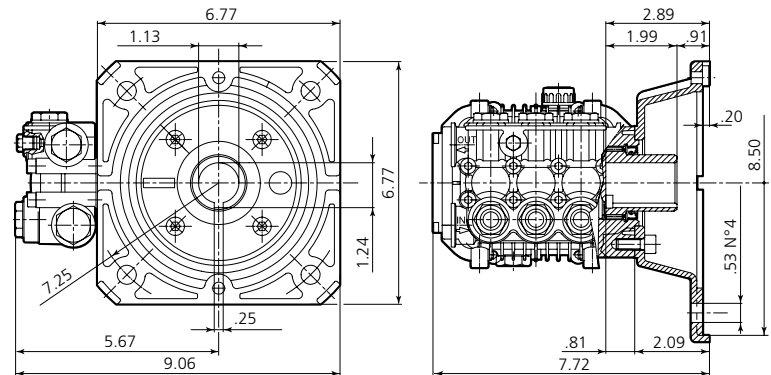
CONNECTING RODS: One piece bronze rod oversized for maximum strength, load disbursement, and long life. Heavy pin area construction, for added load strength.

DIMENSIONS



SXMA

E version 1" 1/8 + F17
Hollow shaft pump ø 1" 1/8



SPECIFICATIONS

MODEL	MAX GPM	MAX LMP	MAX PSI	MAX BAR	POWER EBHP	BORE DIA MM	STROKE MM	CRANKSHAFT ID STAMP	WEIGHT LBS.
SXMA3G30E-F17	3.0	11.4	3500	205	7.5	15	13.2	3	18
SXMA3.5G30E-F17	3.5	15.1	3500	205	7.5	15	15.4	1	18
SXMA4G30E-F17	4.0	15.1	3500	205	10.0	18	13.2	3	18

Oil Capacity = 14.6 oz

Maximum Fluid Temperature = 140° F

Inlet Thread = 1/2" F

Discharge Thread = 3/8" F

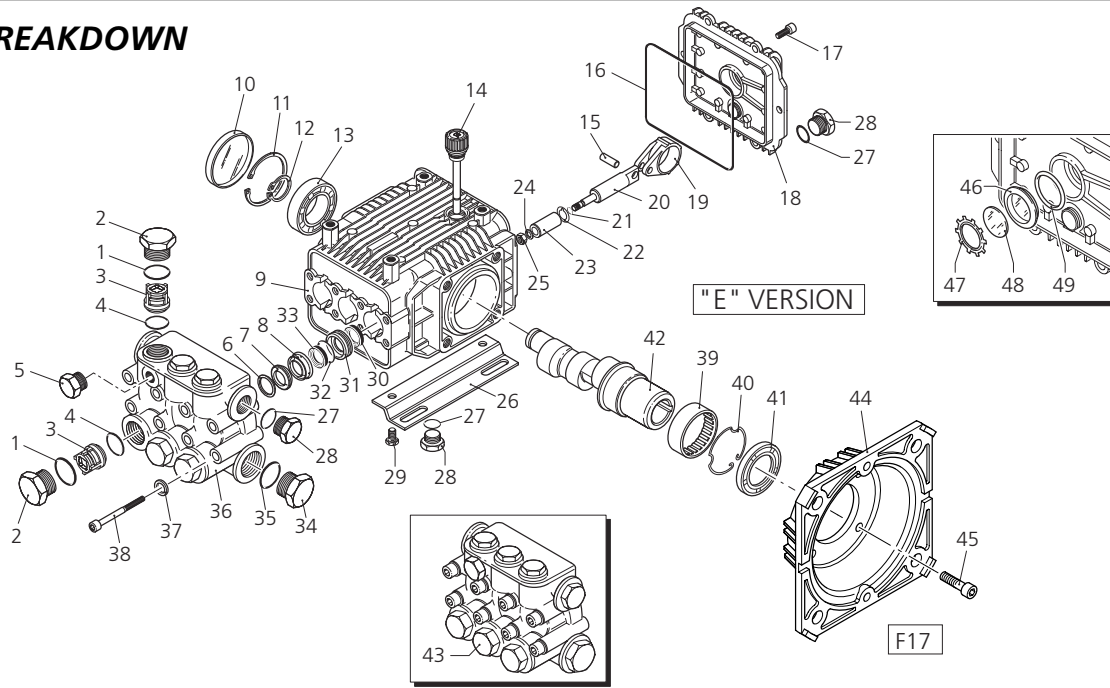
Torque Specifications Inch pounds (ft. lbs)

HEAD	PISTON NUT	REAR COVER	SIDE COVER	VALVE CAP	CON RODS
133 (11)	89 (7.5)	89 (7.5)	N/A	442 (37)	N/A

SPECIAL NOTE: Use AR64516 Oil. First change oil after 50 hours of use. Then every 500 hours. This oil is specially formulated to provide correct lubrication properties for our pumps. **No** other oil is factory approved for these pumps.



PARTS BREAKDOWN



Pos.	Code	Description	Qty.	Pos.	Code	Description	Qty.	Legend		
1	960160	O-Ring	6	35	180101	O-Ring	1	∅ 15	∅ 15	∅ 18
2	1260162	Plug	6	36	1780020	Head	1	For ○	For □	For ▼
3	1269050	Complete valve	6	37	1381550	Washer	8	SXMA3G30	SXMA3.5G30	SXMA4G30
4	880830	O-Ring	6	38	1322730	Screw	8			
5	620301	Plug	1	39	1321190	Bearing	1			
6	1780130	Support ring ∅15	○□ 3	40	1321080	Snap ring	1			
7	1780140	Support ring ∅18	▼ 3	41	480671	Seal	1			
8	1260130	Gasket ∅15	○□ 3	42	1780300	Hollow shaft	○ 1			
9	1260220	Gasket ∅18	▼ 3	43	1780290	Hollow shaft	▼ 1			
10	1780090	Piston guide ∅15	○□ 3	44	1780950	Hollow shaft	○□ 1			
11	1780110	Piston guide ∅18	3	45	1789201	Pump head assembly	○□ 1			
12	1780010	Pump body	1	46	1789202	Pump head assembly	▼ 1			
13	1266740	Cap	1	47	1380360	Motor flange	1			
14	1260790	Circlip	1	48	180030	Screw	4			
15	1780550	Snap ring	1	49	1260250	Oil indicator	1			
16	1780490	Bearing	1	47	1260430	Snap ring	1			
17	880130	Oil cap	1	48	1780690	Disc	1			
18	1780050	Piston pin	3	49	1140450	O-Ring	1			
19	1780510	O-Ring	1							
20	1200430	Screw	6							
21	1789010	Complete cover	1							
22	1780710	Con rod	3							
23	1780060	Guiding piston	3							
24	480480	O-Ring	3							
25	1260091	Spacer disc	3							
26	1780070	Piston ∅15	○□ 3							
26b	1780080	Piston ∅18	▼ 3							
26c	1260100	Piston washer	3							
27	1260110	Nut	3							
28	1380141	Base	2							
29	2729	5/8" Rail Kit	1							
30	2633H	2-5/8" Rail Kit	1							
31	740290	O-Ring	3							
32	1980740	Plug 3/8" G	3							
33	1260470	Screw	4							
34	1260460	Seal	3							
	1780100	Rear piston guide ∅15	○□ 3							
	1780120	Rear piston guide ∅18	▼ 3							
	770260	O-Ring	3							
	1260440	Gasket ∅15	○□ 3							
	1260450	Gasket ∅18	▼ 3							
	820361	Plug 1/2" G Brass	1							

Legend		
∅ 15	∅ 15	∅ 18
For ○	For □	For ▼
SXMA3G30	SXMA3.5G30	SXMA4G30

Repair Kits			
Water Seal Kit 2741 ∅15 Kit 2747 ∅18	Pistons Kit 2544 ∅15 Kit 2545 ∅18	Valve Kit 2125	Oil Seals Kit 2787
Pos. Qty.	Pos. Qty.	Pos. Qty.	Pos. Qty.
7 3	21 3	3 6	10 1
32 3	22 3	4 6	16 1
33 3	23 3		30 3
	24 3		42 1
	25 3		

Support Rings	
Kit 2740 ∅15	
Kit 2745 ∅18	
Pos. Qty.	
6 3	

Special Parts		
Code	Description	Qty.
2776	Viton water seals ∅15	1
2777	Viton water seals ∅18	1

