

Parts Illustrations for Model 9910-D160

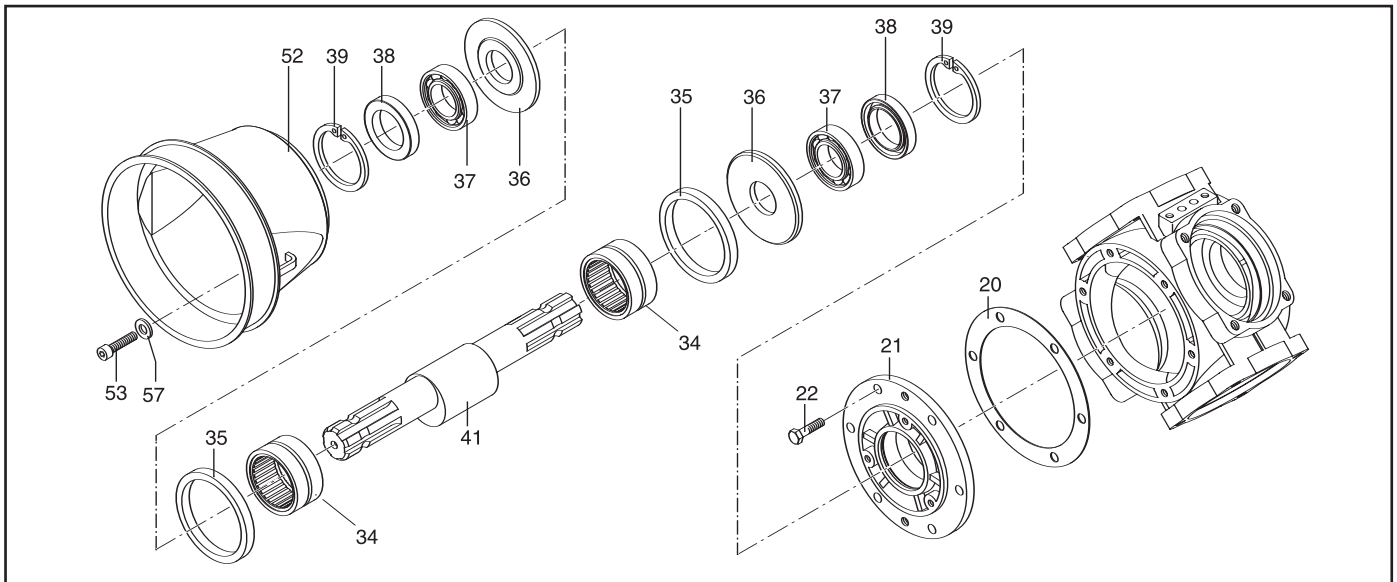
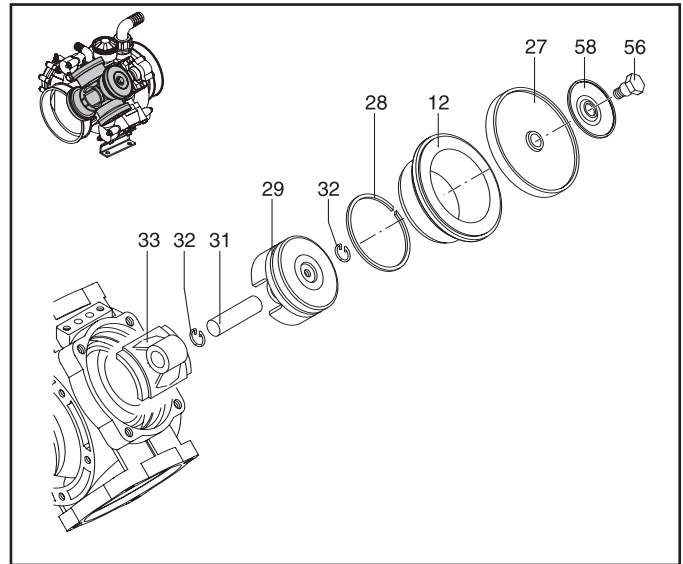
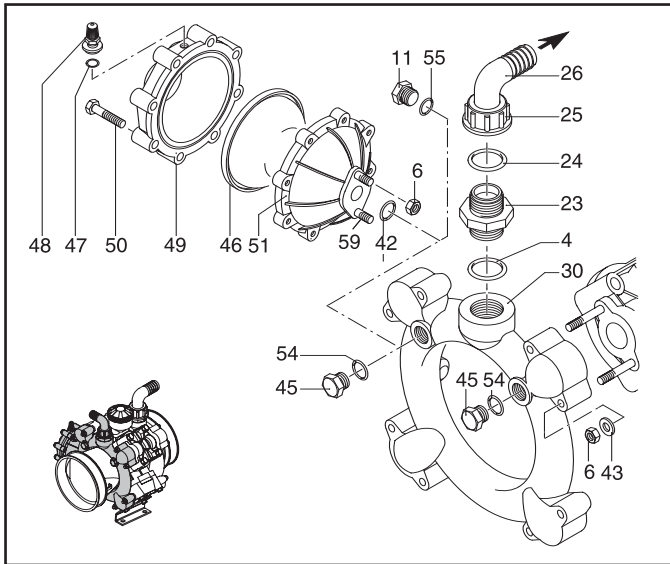
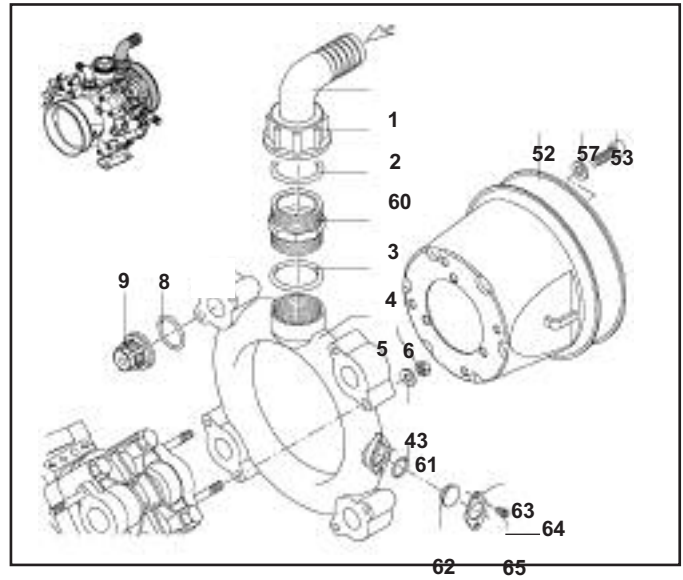
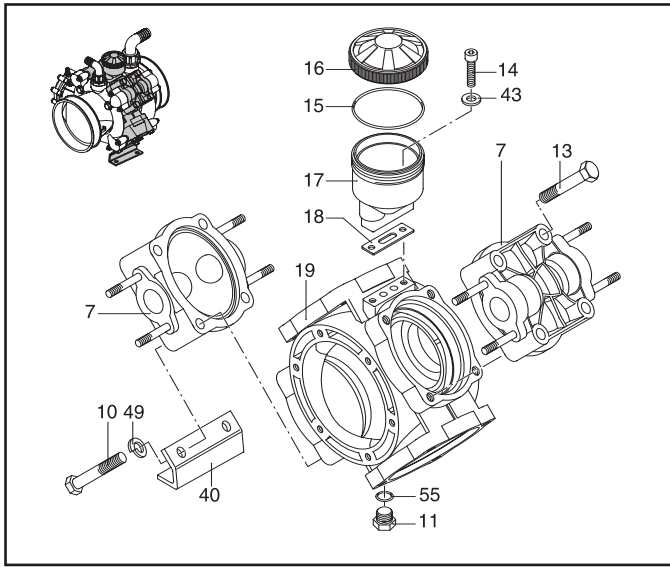


Figure 10. Parts Illustrations for Model 9910-D160

Parts List for Model 9910-D160

REF. NO.	PART NUMBER	DESCRIPTION	QTY. REQ'D
1	9910-760020	Elbow 2"	1
2	9910-760040	Ring nut	1
3	9910-760030	Threaded adapter	1
4	9910-250310	O-ring	1
5	9910-760220	Suction manifold	1
6	9910-380242	Nut	18
7	9910-750100	Head	4
8	9910-680070	O-ring	8
9	9910-759051	Complete valve	8
10	9910-750071	Bolt	4
11	2406-0023	Oil drain plug	2
12	9910-750110	Sleeve	4
13	9910-750061	Bolt	12
14	9910-680350	Bolt	2
15	9910-1040060	O-ring	1
16	9910-750057	Black oil tank cap	1
17	9910-750030	Oil sight glass	1
18	9910-750040	Gasket	1
19	9910-760010	Pump body	1
20	9910-680250	Gasket	1
21	9910-680020	Bearing support housing	1
22	9910-160672	Bolt	6
23	9910-540530	Threaded adapter	1
24	9910-250310	O-ring	1
25	9910-540540	Ring nut	1
26	9910-540550	Elbow 1-1/2"	1
27	9910-550085	Diaphragm (Desmopan) Standard	4
27a	9910-550080	Diaphragm (Buna) Optional	4
28	9910-500260	Piston ring	4
29	9910-750122	Piston	4
30	9910-760070	Manifold	1
31	9910-160700	Pin	4
32	9910-160691	Pin ring	8
33	9910-760140	Connecting rod	4
34	9910-750090	Roller bearing	2
35	9910-750130	Connecting rod ring	2
36	9910-540040	Spacer washer	2
37	9910-230350	Bearing	2
38	9910-160740	Seal ring	2
39	9910-200390	Retainer ring	2
40	9910-760201	Base	2
41	9910-750170	Crankshaft	1
42	9910-390290	O-ring	1
43	9910-380243	Washer	18
44	9910-250143	Washer	4
45	9910-330173	Plug	2
46	9910-550190	Accumulator diaphragm	1
47	9910-650542	O-ring	1
48	9910-180020	Air valve	1
49	9910-629216	Accumulator head	1
50	9910-621781	Bolt	8
51	9910-680180	Accumulator head	1
52	9910-1500350	Shield	2
53	9910-850251	Bolt	6
54	9910-180101	O-ring	2
55	9910-740290	O-ring	2
56	9910-580360	Diaphragm bolt	4
57	9910-390314	Washer	6
58	9910-580370	Retaining washer	4
59	9910-390670	Accumulator stud	1

REF. NO.	PART NUMBER	DESCRIPTION	QTY. REQ'D
60	9910-620210	O-ring	1
61	9910-480440	O-ring	1
62	9910-2420120	Flange Plug	1
63	9910-2420110	Flange	1
64	9910-2420290	Washer	2
65	9910-2420280	Bolt	2

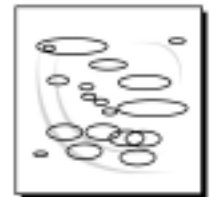
Ref. No.	Description	Tightening Torque	
		In. Lbs.	Nm
6	Nut	171.4	19.6
10	Bolt	435.5	49.0
11	Plug	171.4	19.6
13	Bolt	435.5	49.0
14	Bolt	87.5	9.8
22	Bolt	304.8	34.3
45	Plug	350.0	39.2
50	Bolt	171.4	19.6
53	Bolt	87.5	9.8
56	Diaphragm Bolt	262.5	29.4



9910-KIT1730 Diaphragm Kit Desmopan	
REF. NO.	QTY.
8	8
27	4
46	1



9910-KIT2374 Valve Kit	
REF. NO.	QTY.
8	8
9	8



9910-KIT1908 O-Ring Kit	
REF. NO.	QTY.
4	3
8	8
15	1
24	1
42	2
47	1
54	2
55	2

NOTE: When ordering parts, give QUANTITY, PART NUMBER, DESCRIPTION, and COMPLETE PUMP MODEL NUMBER. Reference numbers are used ONLY to identify parts in the drawing and are NOT to be used as order numbers.