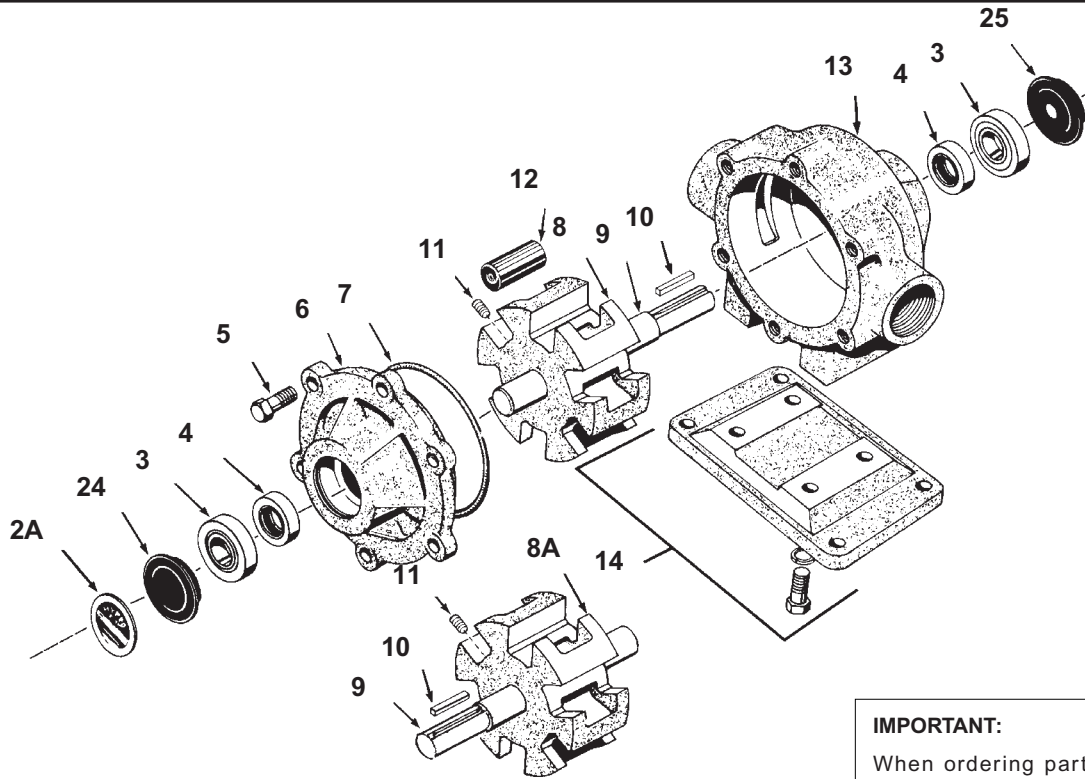


Models 1500C, 1500N, and 1500XL



IMPORTANT:

When ordering parts, give PART NUMBER and PART DESCRIPTION. Reference Numbers are used ONLY to point out parts in the drawing and are NOT to be used as ordering numbers.

Ref. No.	Qty. Req'd.	Part Number	Description
2A	1	6031-0258	Name Plate (Specify Pump Model #)
3	2	2008-0001	Sealed Ball Bearing
4	2	2112-0001	Buna-N Seal (Standard)
4	2	2112-0003	Viton Seal (Optional) (Std. for SilverCast)
5	6	2210-0026	Bolt
6	1	0200-1500C	Endplate (Cast-Iron) with seal
6	1	0200-1500N	Endplate (Ni-Resist) with seal
6	1	0200-1500X	Endplate (SilverCast) with seal
7	1	1720-0003	O-ring Gasket for Endplate
8	1	0300-1502C	Rotor (Cast Iron) with shaft (Std. Rotation)
8	1	0300-1502N	Rotor (Ni-Resist) with shaft (Std. Rotation)
8	1	0300-1502X	Rotor (SilverCast) with shaft (Std. Rotation)
8A	1	0301-1502C	Rotor (Cast Iron) w/shaft (Reverse Rotation)
8A	1	0301-1502N	Rotor (Ni-Resist) w/shaft (Reverse Rotation)
8A	1	0301-1502X	Rotor (SilverCast) w/shaft (Reverse Rotat.)
9	1	0500-1502	Shaft Only

Ref. No.	Qty. Req'd.	Part Number	Description
10	1	1610-0005	Key
11	1	2230-0018	Set Screw
11	1	2230-0034	Set Screw (SilverCast Only)
12	6	1005-0005	Super Roller (Standard)
12	6	1002-0005	Polypropylene Roller (Optional)
12	6	1055-0005	Teflon Roller (Optional)
13	1	0100-1500C	Body (Cast Iron) with seal
13	1	0100-1500N	Body (Ni-Resist) with seal
13	1	0100-1500X	Body (SilverCast) with seal
14	1 kit	3420-0004	Base Kit — Includes: (1) Base ,(4) Bolts (4) Lockwashers
24	1	2300-0020	Bearing Cover
25	1	2300-0022	Shaft Bearing Cover

Repair Parts Kit No. 3430-0383 (Universal) Consists of: (6) Ref. 12 Super Rollers, (2) Ref. 7 O-Ring Gaskets, and (2) Ref. 4 Viton Seals.

Repair Parts Kit No. 3430-0388 Consists of: (6) Ref. 12 Super Rollers and (1) Ref. 7 O-Ring Gasket.

Repair Parts Kit No. 3430-0386 Consists of: (6) Ref. 12 Super Rollers, (1) Ref. 7 O-Ring Gasket, and (2) Ref. 4 Viton Seals.

Repair Parts Kit No. 3430-0387 Consists of: (6) Ref. 12 Super Rollers, (1) Ref. 7 O-Ring Gasket, and (2) Ref. 4 Buna-N Seals.

Repair Parts Kit No. 3430-0162 Consists of: (6) Ref. 12 Polypropylene Rollers and (1) Ref. 7 O-Ring Gasket.

See Page 17 for the proper coupler or adapter.

Repair Parts Kit No. 3430-0204 Consists of: (6) Ref. 12 Teflon Rollers, (1) Ref. 7 O-Ring Gasket, and (2) Ref. 4 Buna-N Seals.

Repair Parts Kit No. 3430-0164 Consists of: (6) Ref. 8 Polypropylene Rollers, (1) Ref. 7 O-Ring Gasket, and (2) Ref. 4 Viton Seals.

Repair Parts Kit No. 3430-0163 Consists of: (6) Ref. 8 Polypropylene Rollers, (1) Ref. 7 O-Ring Gasket, and (2) Ref. 4 Buna-N Seals.

Repair Parts Kit No. 3430-0406 Consists of: (6) Ref. 12 Super Rollers, (1) Ref. 7 O-Ring Gasket, (2) Ref. 4 Viton Seals and (2) Ref. 3 Sealed Ball Bearings.