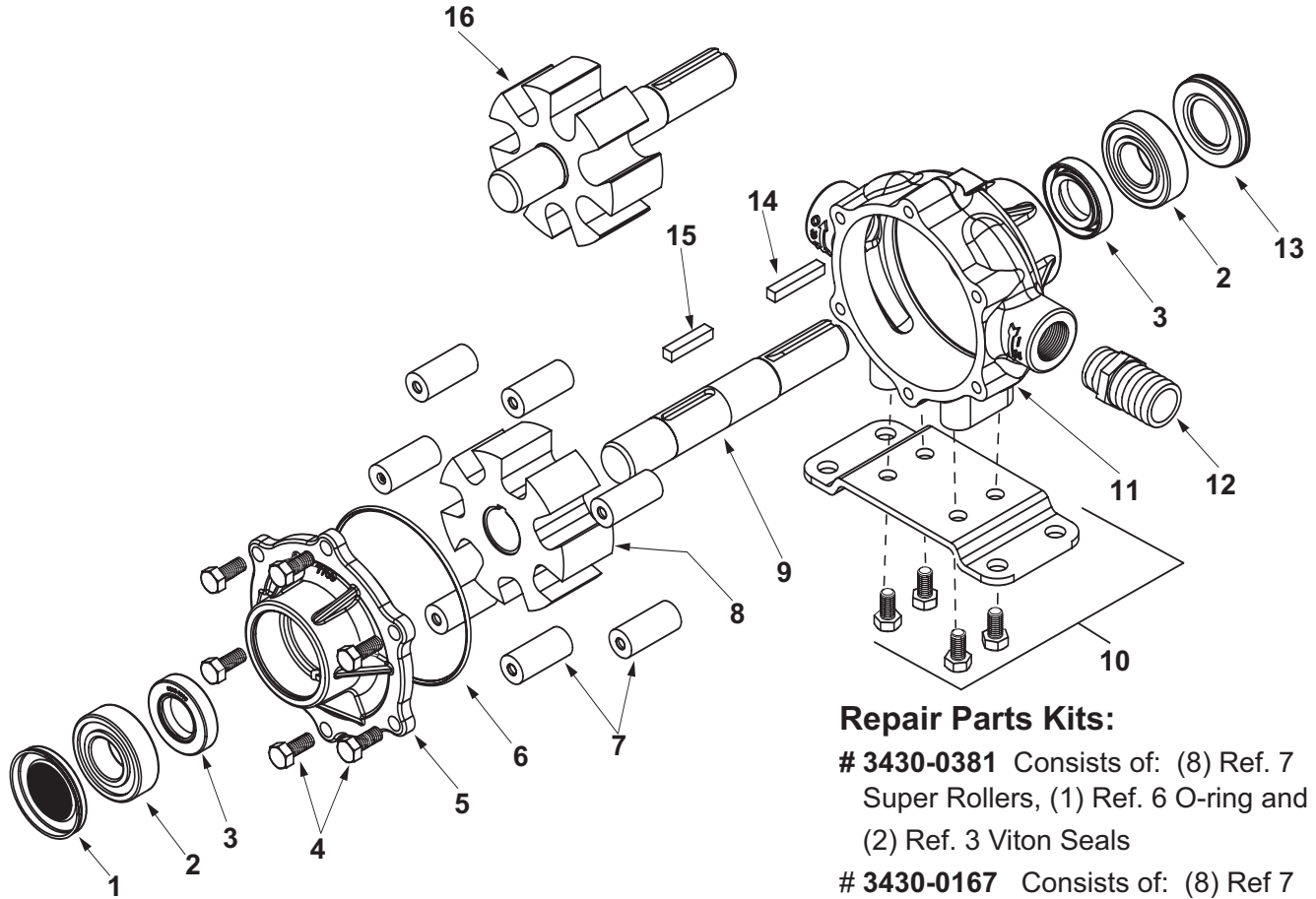


Series 7700



Note: When ordering parts, give quantity, part number, description and complete model number. Reference numbers are used ONLY to identify parts in the drawing and NOT to be used as order numbers.

Repair Parts Kits:

3430-0381 Consists of: (8) Ref. 7 Super Rollers, (1) Ref. 6 O-ring and (2) Ref. 3 Viton Seals

3430-0167 Consists of: (8) Ref 7 Polypropylene Rollers, (1) Ref. 6 Oring, and (2) Ref. 3 Viton Seals

3430-0623 Consists of: (1) Ref.8 Phenolic rotor, (1) Ref. 9 Shaft and (1) Ref. 15 Key

See Page 17 for the proper coupler or adapter.

Ref. No.	Qty. Req'd.	Part No.	Description
1	1	2300-0020	Bearing Cover
2	2	2008-0001	Sealed Ball Bearing
3	2	2112-0003	Viton Seal (Standard)
3	2	2112-0001	Buna-N Seal (Optional)
4	6	2210-0004	Bolts
5	1	0200-7700C	Endplate (Cast-Iron) with seal
5	1	0200-7700N	Endplate (NI-Resist) with seal
5	1	0200-7700X	Endplate (SilverCast) with seal
6	1	1720-0014	Oring Gasket for Endplate
7	7	1005-0004	SuperRoller (Standard)
7	7	1002-0004	Polypropylene Roller (Optional)
7	7	1052-0004	Buna-N Roller (Optional)
7	7	1055-0004	Teflon Roller (Optional)

Ref. No.	Qty. Req'd.	Part No.	Description
8	1	0401-7700P	Phenolic (Standard)
9	1	0510-7500	Shaft (416 Stainless)
10	1 kit	3420-0010	Base Kit - Includes: (1) Base and (4) Bolts
11	1	0100-7700C	Body (Cast Iron) with seal
11	1	0100-7700N	Body (Ni-Resist) with seal
11	1	0100-7700X	Body (SilverCast) with seal
12	1	2404-0052	1" Hose Barb
13	1	2300-0022	Shaft Bearing Cover
14	1	1610-0005	Key
15	1	1610-0059	Key (Stainless Steel)
16	1	N/A	Metal rotor assembly. Replaced by kit 3430-0623 (Phenolic rotor)