



**Hannay Reels®**  
*The reel leader.*

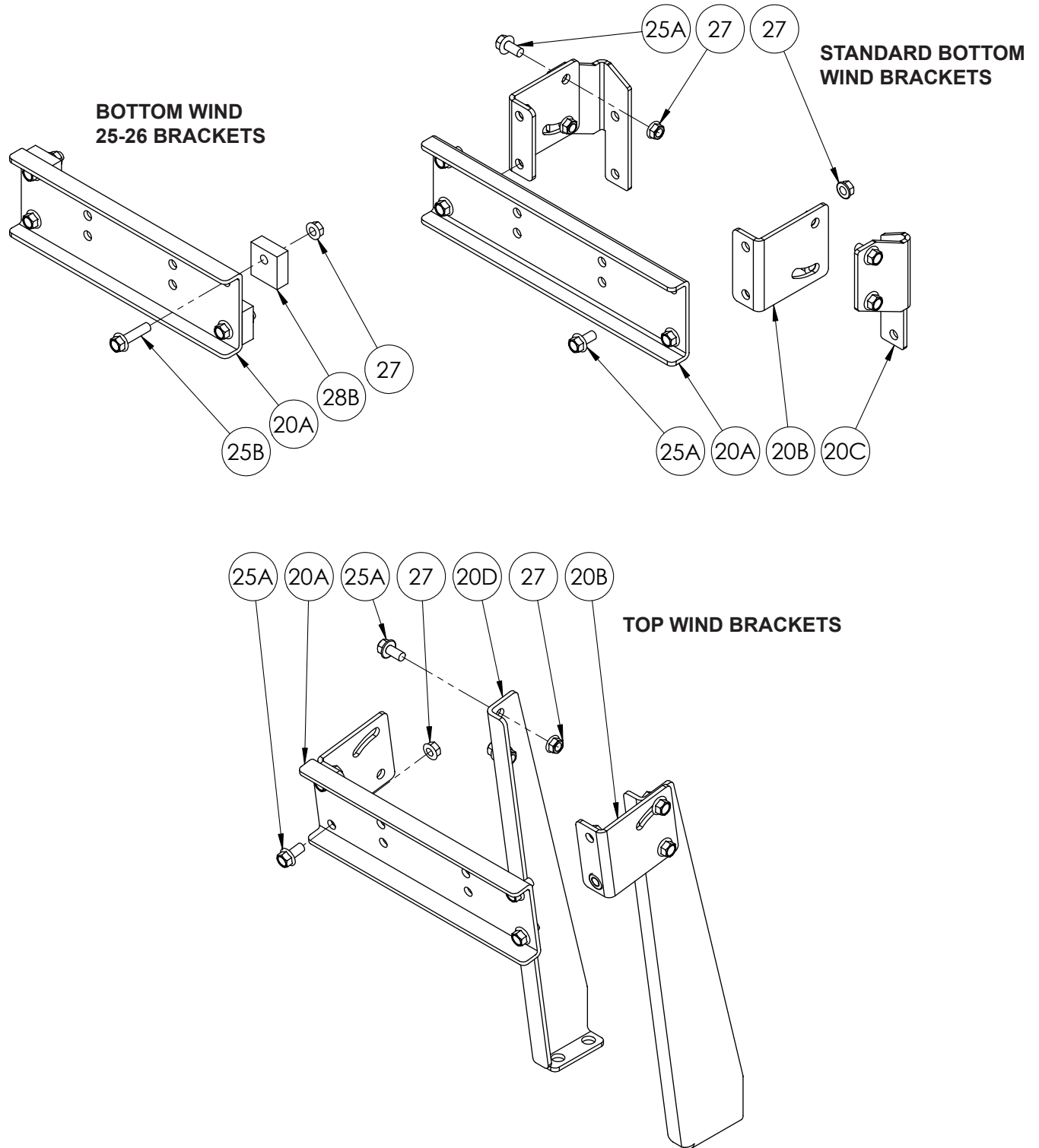
Hannay Reels, Inc.  
 553 State Route 143, Westerlo, NY 12193  
 www.hannay.com  
 Email: reels@hannay.com

Phone 1-518-797-3791  
 Toll Free 1-877-GO-REELS (467-3357)  
 Fax 1-800-REELING (733-5464)  
 Int'l Fax 1-518-797-3259

# ISO 200

## PARTS LIST

### GUIDEMASTER® BRACKETS



**PARTS LIST**  
**ISO 200**  
**Guidemaster® Brackets**

**When Ordering Parts**  
**BE SURE TO SPECIFY COMPLETE MODEL NUMBER and SERIAL NUMBER OF REEL**  
**USE PART NUMBER!**

<u>Drawing No.</u>	<u>Description</u>	<u>Part No.</u>	<u>Quantity</u>
<b>BOTTOM-WIND 25-26 BRACKETS</b>			
20A	Cross Member, Powder Coat Steel Channel (P82A-00040) .....	9945.0048	1
20A	Cross Member, Stainless Steel Channel (P82A-00040).....	9945.0047	1
25B	3/8-16 x 1.5 Hex Spinlock Bolt .....	9904.2204	4
25B	3/8-16 x 1.5 Stainless Steel Hex Head Bolt.....	9960.0015	4
27	3/8-16 Spinlock Nut .....	9904.6200	4
27	3/8-16 Stainless Steel Spinlock Nut .....	9960.0091	4
28A	3/8" Stainless Steel Flat Washer (For Use w/ Stainless Bolts).....	9960.0010	4
28B	Spacer Block (P28A-00650).....	9940.0025	4
<b>STANDARD BOTTOM-WIND BRACKETS</b>			
20A	Cross Member, Powder Coat Steel Channel (P82A-00040) .....	9945.0048	1
20A	Cross Member, Stainless Steel Channel (P82A-00040).....	9945.0047	1
20B	Angle Bracket Pair, Powder Coat Steel (P23A-00070).....	9945.0060	2
20B	Angle Bracket Pair, Stainless Steel (P23A-00070).....	9945.0062	2
20C	Bottom Wind Wing Bracket Pair, Powder Coat Steel (P23A-00010) ....	9945.0036	2
20C	Bottom Wind Wing Bracket Pair, Stainless Steel (P23A-00010) .....	9945.0033	2
25A	3/8-16 x .75 Hex Spinlock Bolt .....	9904.2201	8
25A	3/8-16 x .75 Stainless Steel Hex Spinlock Bolt.....	9960.0009	8
27	3/8-16 Spinlock Nut .....	9904.6200	8
27	3/8-16 Stianless Steel Spinlock Nut .....	9960.0091	4
<b>TOP-WIND BRACKETS</b>			
20A	Cross Member, Powder Coat Steel Channel (P82A-00040) .....	9945.0048	1
20A	Cross Member, Stainless Steel Channel (P82A-00040).....	9945.0047	1
20B	Angle Bracket Pair, Powder Coat Steel (P23A-00070).....	9945.0060	2
20B	Angle Bracket Pair, Stainless Steel (P23A-00070).....	9945.0062	2
20D	Top Wind Bracket Pair, Powder Coat Steel (P23A-00320).....	9945.0037	2
20D	Top Wind Bracket Pair, Stainless Steel (P23A-00320).....	9945.0034	3
25A	3/8-16 x .75 Hex Spinlock Bolt .....	9904.2201	8
25A	3/8-16 x .75 Stainless Steel Hex Spinlock Bolt.....	9960.0009	8
27	3/8-16 Spinlock Nut .....	9904.6200	8
27	3/8-16 Stianless Steel Spinlock Nut .....	9960.0091	4