



Hannay Reels®

The reel leader.

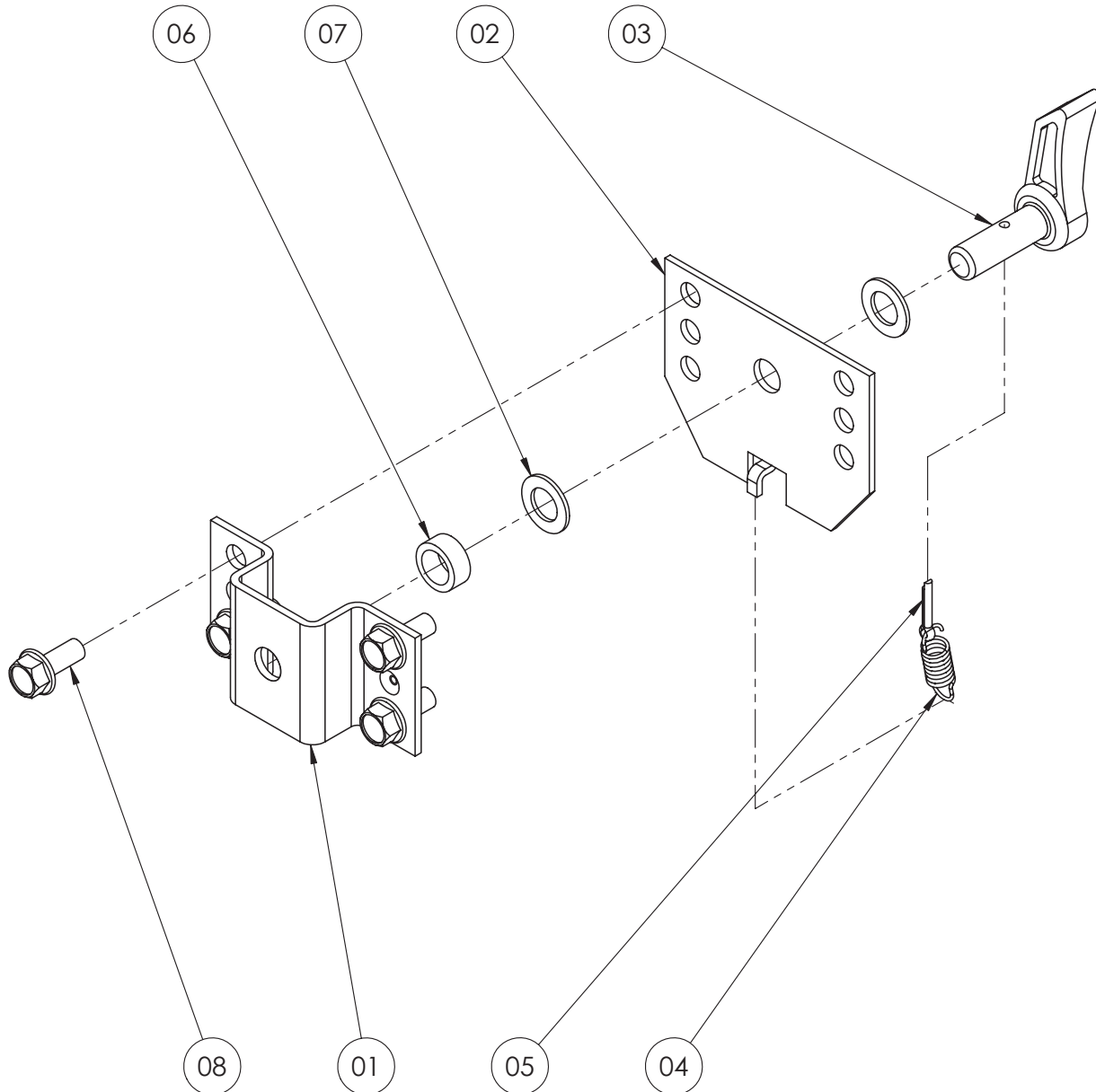
Hannay Reels, Inc., 553 State Route 143
Westerlo, NY 12193
Telephone 518-797-3791 • Toll Free 1-877-GO-REELS (467-3357)
FAX 1-800-REELING (733-5464)
INT'L FAX (518) 797-3259
Website: www.hannay.com
E-mail: reels@hannay.com

ISO 207

PARTS LIST

N-Series

Ratchet Pawl Assembly



PARTS LIST
ISO 207
N-Series Ratchet Pawl Assembly

When ordering parts

BE SURE TO SPECIFY COMPLETE MODEL NUMBER and SERIAL NUMBER OF REEL.

USE PART NUMBER!

<u>Drawing No.</u>	<u>Description</u>	<u>PART NUMBER</u>	<u>Quantity</u>
-	Right Hand Ratchet Locking Assembly Complete (Includes Items 01-08).....	9922.0312	1
-	Left Hand Ratchet Locking Assembly Complete (For Reverse Springs ONLY) (Includes Items 01-08)	9922.0311	1
01	Ratchet Pawl Housing (Outer).....	9922.0026	1
02	Ratchet Pawl Housing (Inner).....	9922.0027	1
03	Right Hand Ratchet Pawl & Pin (Item 30C).....	9922.0302	1
03	Left Hand Ratchet Pawl & Pin (Item 30C) (For Reverse Springs ONLY) (Not Shown)	9922.0301	1
04	Ratchet Pawl Spring	9922.0008	1
05	1/8" x 1" Stainless Steel Cotter Pin for Ratchet Pawl.....	9922.0024	1
06	Plastic Ratchet Pawl Spacer, per P28A-00300	9922.0025	1
07	Stainless Steel Ratchet Pawl Washer, per P28A-00820.....	9922.0061	2
08	5/16" - 18 x 3/4" Thread Cutting Hex Head Bolt.....	9958.0055	4