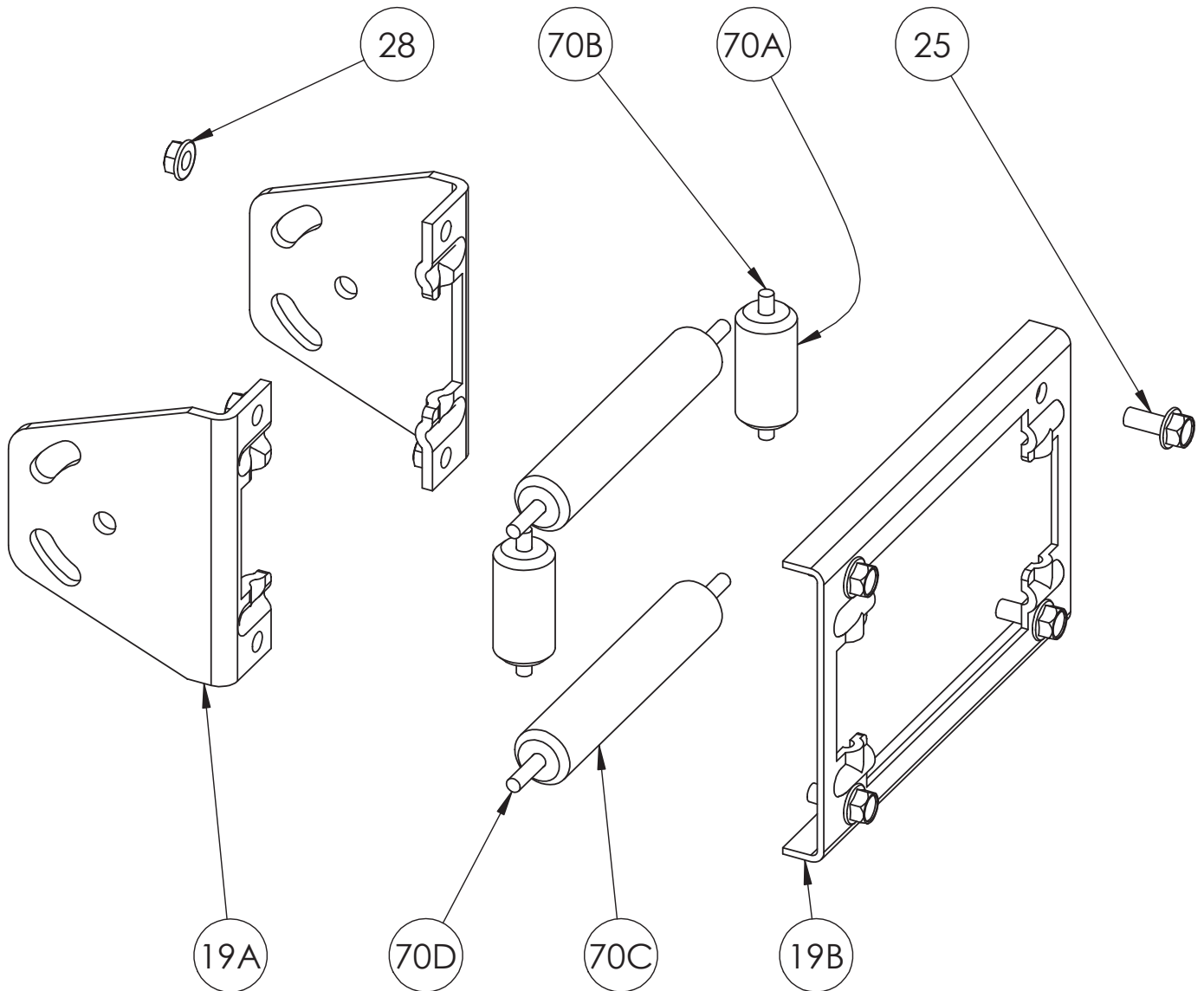


**ISO 208**  
**PARTS LIST**  
**N-SERIES**  
**ROLLER ASSEMBLY**



**PARTS LIST  
ISO 208  
N-Series Roller Assembly**

**When Ordering Parts  
BE SURE TO SPECIFY COMPLETE MODEL NUMBER and SERIAL NUMBER OF REEL  
USE PART NUMBER!**

<u>Item No.</u>	<u>Description</u>	<u>Part No.</u>	<u>Quantity</u>
19A	"N" Series Roller Mounting Bracket.....	9940.0171	2
19A	Stainless Steel "N" Series Roller Mounting Bracket.....	9940.0176	2
19B	"N" Series Roller Bracket Frame .....	Specify Model	1
19B	Stainless Steel "N" Series Roller Bracket Frame .....	Specify Model	1
25	5/16"-18 x 3/4" Spinlock Bolt .....	9904.2101	4
25	Stainless Steel 5/16"-18 x 3/4" Spinlock Bolt .....	9940.0200	4
27	5/16"-18 Spinlock Nut.....	9904.5100	4
27	Stainless Steel 5/16"-18 Spinlock Nut .....	9960.0005	4
70A	1" Dia. X 2" Long Roller for Stamped Housing .....	9940.0180	2
70B	1/4" Dia. Stainless Steel Rod 2-3/4" Long .....	9940.0190	2
70C	1" Dia. for Stamped Housing .....	Specify Model	2
70D	1/4" Dia. Stainless Steel Rod .....	Specify Model	2