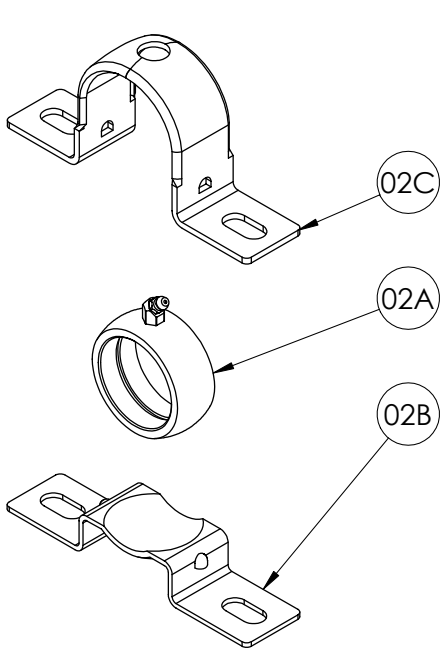
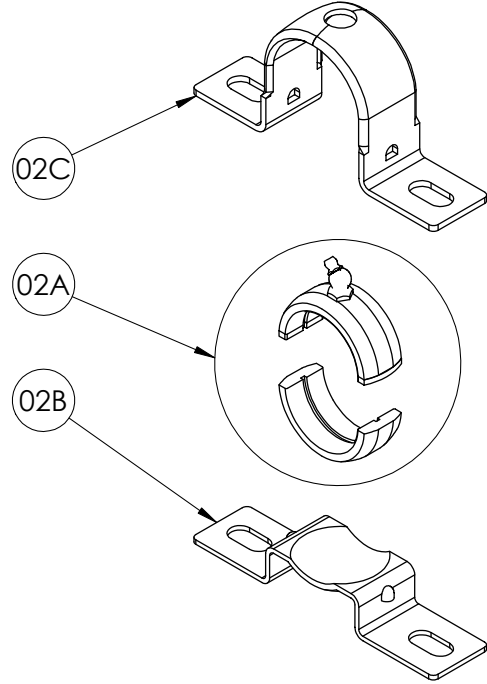


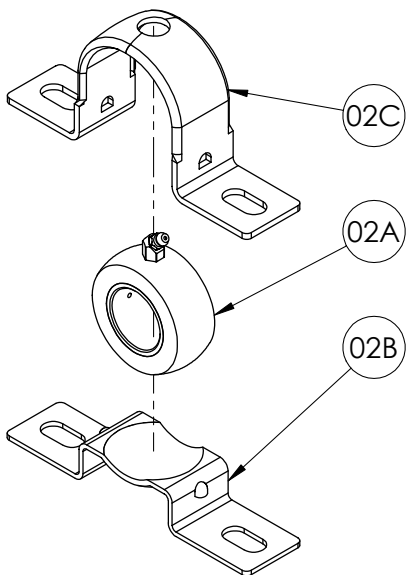
ISO 211
PARTS LIST
STRAP BEARING
ASSEMBLY



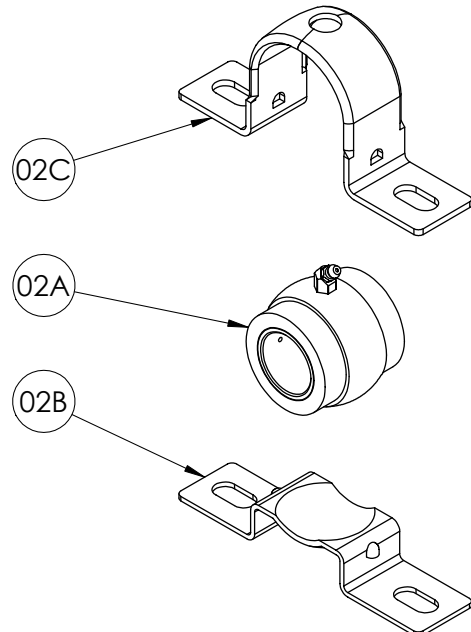
NON-SPLIT 1-1/2" BRONZE BEARING



SPLIT 1-1/2" BRONZE BEARING



1" ALUMINUM/BRONZE BEARING



1" ALUMINUM/BRONZE TWIN BEARING

**PARTS LIST
ISO 211
Strap Bearing Assembly**

**When Ordering Parts
BE SURE TO SPECIFY COMPLETE MODEL NUMBER and SERIAL NUMBER OF REEL
USE PART NUMBER!**

<u>Item No.</u>	<u>Description</u>	<u>Part No.</u>	<u>Quantity</u>
NON-SPLIT 1-1/2" BRONZE BEARING			
-	1-1/2" Strap Bearing Complete Assembly, E-Coated	9902.1610	1
-	1-1/2" Strap Bearing Complete Assembly, E-Coated (For EPIV Reels)	9902.1611	1
-	1-1/2" Strap Bearing Complete Assembly, 304 SST.....	9902.1620	1
02A	1-1/2" Non-Split Bronze Bearing Insert (W/ Grease Fitting).....	9902.1700	1
02A	1-1/2" Non-Split Bronze Bearing Insert (w/ 1/8" NPT Hole & No Grease Fitting For EPIV Reels)	9902.1701	1
02B	Greasable Bearing Holder, E-Coated (Bottom Strap).....	9902.2950	1
02B	Greasable Bearing Holder, 304 SST (Bottom Strap).....	9902.2960	1
02C	Greasable Bearing Holder, E-Coated (Top Strap)	9902.2955	1
02C	Greasable Bearing Holder, 304 SST (Top Strap)	9902.2965	1
SPLIT 1-1/2" BRONZE BEARING			
-	1-1/2" Strap Bearing Complete Assembly, E-Coated	9902.1612	1
-	1-1/2" Strap Bearing Complete Assembly, 304 SST.....	9902.1622	1
02A	1-1/2" Non-Split Bronze Bearing Insert (W/ Grease Fitting).....	9902.1710	1
02B	Greasable Bearing Holder, E-Coated (Bottom Strap).....	9902.2950	1
02B	Greasable Bearing Holder, 304 SST (Bottom Strap).....	9902.2960	1
02C	Greasable Bearing Holder, E-Coated (Top Strap)	9902.2955	1
02C	Greasable Bearing Holder, 304 SST (Top Strap)	9902.2965	1
1" ALUMINUM/BRONZE BEARING			
-	1" Strap Bearing Complete Assembly, E-Coated.....	9902.1630	1
-	1" Strap Bearing Complete Assembly, E-Coated (For EPIV Reels)	9902.1631	1
-	1" Strap Bearing Complete Assembly, 304 SST.....	9902.1640	1
02A	1" Bronze/Aluminum Bearing Insert (W/ Grease Fitting).....	9902.1730	1
02A	1" Bronze/Aluminum Bearing Insert (w/ 1/8" NPT Hole & No Grease Fitting For EPIV Reels)....	9902.1731	1
02B	Greasable Bearing Holder, E-Coated (Bottom Strap).....	9902.2950	1
02B	Greasable Bearing Holder, 304 SST (Bottom Strap).....	9902.2960	1
02C	Greasable Bearing Holder, E-Coated (Top Strap)	9902.2955	1
02C	Greasable Bearing Holder, 304 SST (Top Strap)	9902.2965	1
1" ALUMINUM/BRONZE TWIN BEARING			
-	1" Twin Alum/Bronze Bearing Complete (For EPBM Reels) (E-Coat).....	9902.3500	1
-	1" Twin Alum/Bronze Bearing Complete (For EPBM Reels) (Stainless Steel)	9902.3502	1
02A	1" Alum/Bronze Twin Bearing Insert for EPBM Reels.....	9902.1735	1
02B	Greasable Bearing Holder, E-Coated (Bottom Strap).....	9902.2950	1
02B	Greasable Bearing Holder, 304 SST (Bottom Strap).....	9902.2960	1
02C	Greasable Bearing Holder, E-Coated (Top Strap)	9902.2955	1
02C	Greasable Bearing Holder, 304 SST (Top Strap)	9902.2965	1