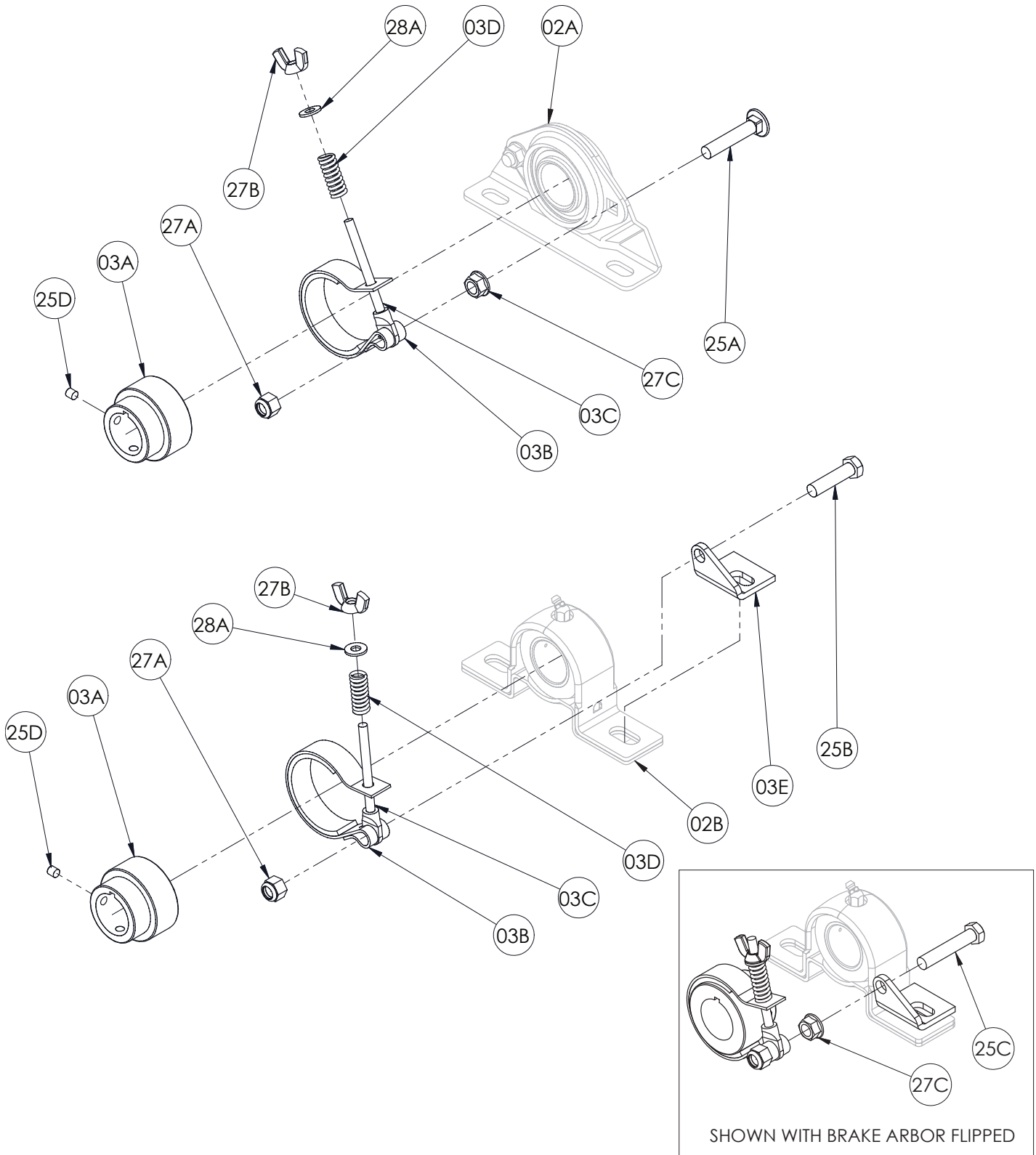


ISO 212
PARTS LIST

**BEARING MOUNTED STRAP
BRAKE ASSEMBLY**



PARTS LIST
ISO 212
Bearing Mounted Strap Brake Assembly

When Ordering Parts
BE SURE TO SPECIFY COMPLETE MODEL NUMBER and SERIAL NUMBER OF REEL
USE PART NUMBER!

<u>Item #.</u>	<u>Description</u>	<u>Part No.</u>	<u>Qty</u>
-	Comet Brake Assembly (1.285" Bore) (For Self Aligning Bearing).....	9947.0090	-
-	Comet Brake Assembly (1.285" Bore) (For Strap Bearing).....	9947.0099	-
-	Comet Brake Assembly (1.5" Bore).....	9947.0063	-
02A	Self Aligning Bearing Assembly (See ISO-210 For Parts) (Purchased Separately).....	Spec. Model	1
02B	Strap Bearing Assembly (See ISO-211 For Parts) (Purchased Separately).....	Spec. Model	1
03A	Comet Brake Hub, Plated, 1.285" Bore.....	9947.0038	1
03A	Comet Brake Hub, Plated, 1.5" Bore.....	9947.0060	1
03A	Comet Brake Hub, Stainless Steel, 1.285" Bore.....	9947.0039	1
03B	Comet Brake Strap.....	9947.0091	1
03C	1/4"-20 Comet Brake Tension Adjustment Rod.....	9947.0094	1
03D	Stainless Steel Comet Brake Spring.....	9947.0096	1
03E	Comet Brake Bracket for Strap Brake.....	9947.0097	1
25A	3/8"-16 x 2" Carriage Bolt (Replaces x1 Bearing Carriage Bolt).....	9904.0206	1
25B	3/8"-16 x 1-1/2" Stainless Steel Hex Head Bolt.....	9960.0015	1
25C	3/8"-16 x 2" Hex Head Bolt (For IV Reels).....	9904.1206	1
25D	1/4"-20 x 1/4" Allen Set Screw.....	9958.0002	2
27A	3/8"-16 ESNA Locknut.....	9958.0040	1
27A	3/8"-16 ESNA Locknut (Stainless Steel).....	9960.0098	1
27B	1/4"-20 Wing Nut.....	9947.0095	1
27C	3/8" -16 Spinlock Nut.....	9904.6200	1
27C	3/8" -16 Spinlock Nut (Stainless Steel).....	9960.0091	1
28	1/4" Flat Washer.....	9954.0005	1