

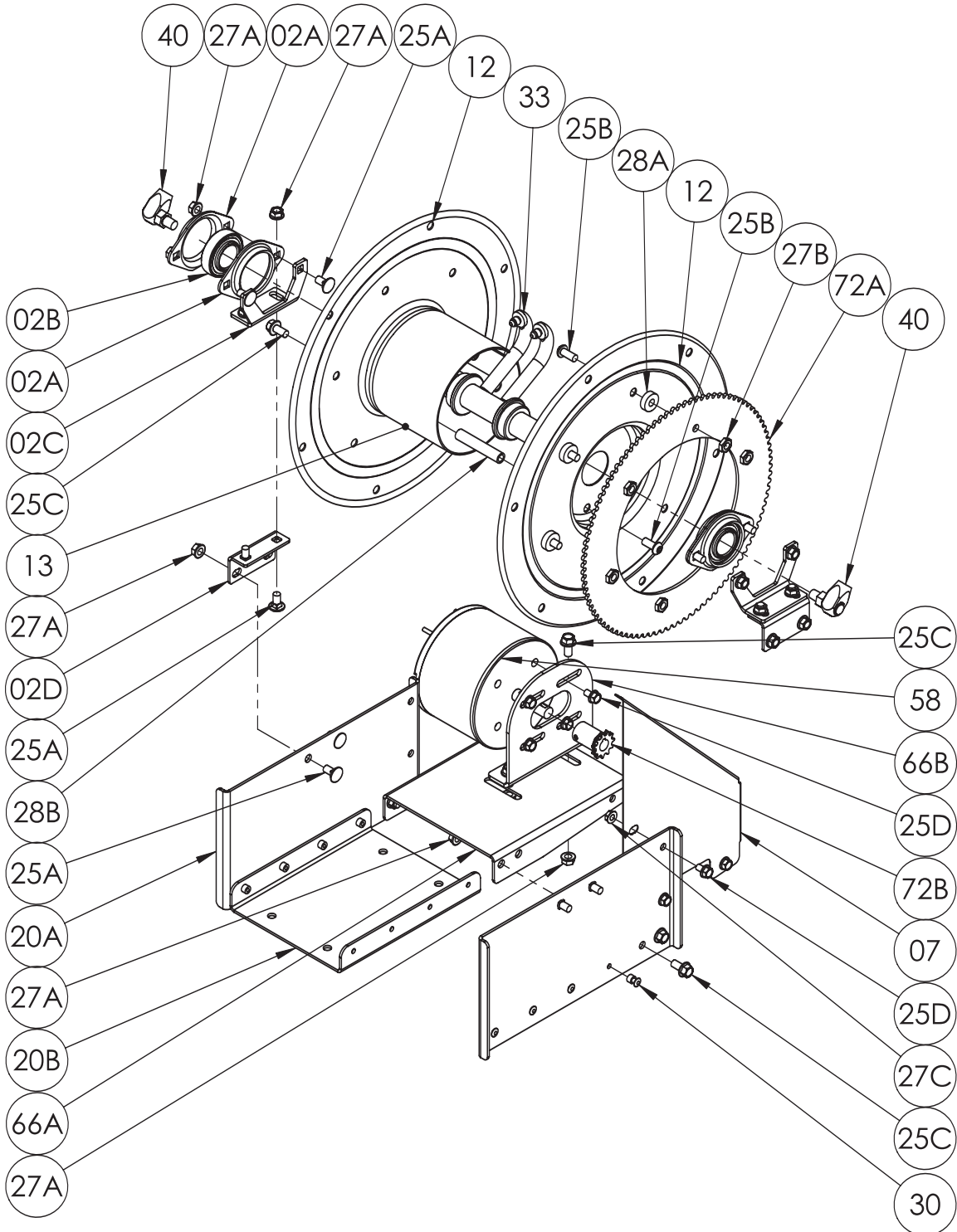


# Hannay Reels®

*The reel leader.*

Hannay Reels, Inc., 553 State Route 143  
Westerlo, NY 12193  
Telephone 518-797-3791; Toll Free 1-877-GO-REELS (467-3357)  
FAX 1-800-REELING (733-5464)  
INT'L FAX (518) 797-3259  
Website: [www.hannay.com](http://www.hannay.com)  
E-mail: [reels@hannay.com](mailto:reels@hannay.com)

## ISO 225 PARTS LIST SERIES EF 2500 Power Rewind



**PARTS LIST**  
**ISO 225**  
**Series EF2500 - POWER REWIND**

When ordering parts

**BE SURE TO SPECIFY COMPLETE MODEL NUMBER and SERIAL NUMBER OF REEL.**  
**USE PART NUMBER!**

<u>Item No.</u>	<u>Description</u>	<u>PART NUMBER</u>	<u>Quantity</u>
02A	Self Aligning Bearing Holder (Small Piece).....	9902.2800	4
02B	1" Self Aligning Bearing Insert (Plated).....	9902.1500	2
02C	F2500 Series Bearing Holder Bracket per P02A-00540 .....	9902.2852	2
02D	F2500 Series Bearing Support Bracket per P02A-00530 .....	9902.2851	2
6	#35 Chain (Not Shown) ~Specify 132 Links (49-1/2" Length) .....	9912.0003	1
7	Metal Chain Guard ~ Specify Right or Left per P07A-00640.....	9957.0041	1
12	17-18 Cupped Disc (16-1/2" Dia.) per P12A-00600.....	9903.0799	2
13	6" Diameter Aluminum Drum per P12A-00420 ~Specify Model .....	9905.7112	1
19	F2500 Series Frame Ass'y per A19A-00460 ~Specify Model.....	9908.0091	1
20A	F2500 Series Side Frame per P20A-02040.....	9906.0092	2
20B	F2500 Series Base Plate per P20A-02030 .....	9906.0091	1
25A	3/8"-16 x 3/4" Carriage Bolt.....	9904.0201	12
25B	3/8"-16 x 7/8" Spinlock Bolt.....	9904.9201	10
25C	3/8"-16 x 3/4" Spinlock Bolt.....	9904.2201	10
25D	5/16"-18 x 5/8" Spinlock Bolt.....	9904.2159	7
27A	3/8"-16 Spinlock Nut.....	9904.6200	18
27B	3/8"-16 Hex Jam Nut .....	9965.0012	6
27C	5/16"-18 Spinlock Nut.....	9904.6100	3
28A	Sprocket Spacer (5/16" Thick) .....	9954.0017	6
28B	3" Long Anodized Threaded Spacer Pipe ~ Model EF2514 Only.....	9904.0306	4
28B	5" Long Anodized Threaded Spacer Pipe ~ Model EF2516 Only.....	9904.0310	4
30	1/4" x 3/8" Blind Pop Rivet .....	9922.0058	8
33	F2500 Series Hub Assembly per A33A-00110 ~Specify Model & Fittings.....	9901.0681	1
40	1/4" MxF 90 Degree 10,000 PSI Super Swivel Joint w/ Buna Seals.....	9925.8111	2
40	1/4" MxF 90 Degree 10,000 PSI Super Swivel Joint w/ EPDM Seals.....	9925.8112	2
40	1/4" MxF 90 Degree 10,000 PSI Super Swivel Joint w/ Viton Seals .....	9925.8114	2
58	AN-239 12V DC 1/5 HP 420 RPM Non-Explosion Proof Motor.....	9915.0040	1
66A	F2500 Series Motor Plate ~Specify Model .....	9923.0061	1
66B	ESF Motor Plate per P66A-00200, E-Coated .....	9923.0015	1
72A	112T35 Disc Sprocket, E-Coated.....	9910.1321	1
72B	11T35 Motor Sprocket, 1-3/4" Long .....	9910.1119	1