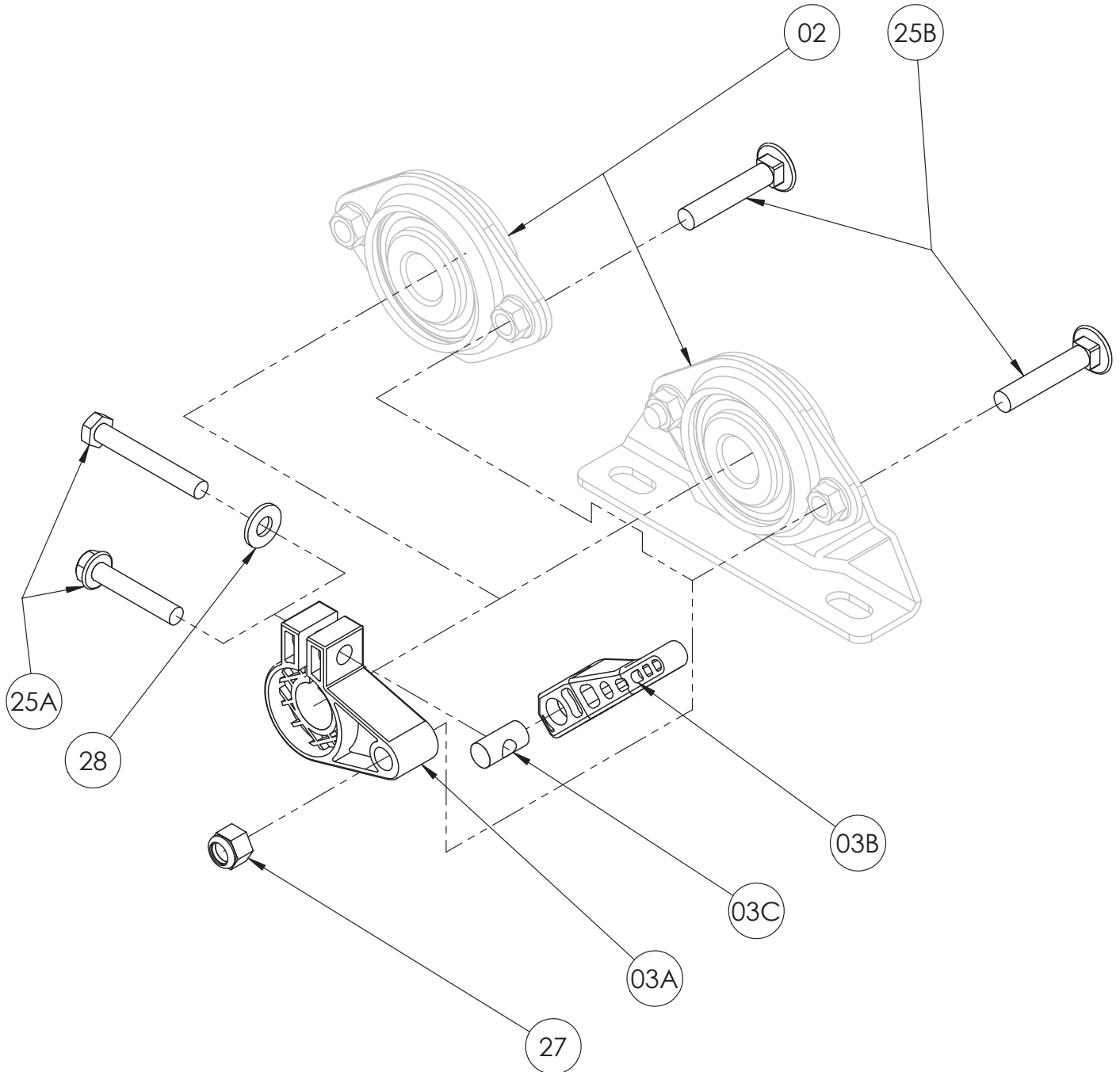


**ISO 254**  
**PARTS LIST**  
**CAM-LOCK**  
**BRAKE ASSEMBLY**



**PARTS LIST**  
**ISO 254**  
**Cam-Lock Brake Assembly**

**When Ordering Parts**  
**BE SURE TO SPECIFY COMPLETE MODEL NUMBER and SERIAL NUMBER OF REEL**  
**USE PART NUMBER!**

<u>Item No.</u>	<u>Description</u>	<u>Part No.</u>	<u>Quantity</u>
-	Cam-Lock Brake Assembly for 1100/1500 Reels .....	9947.0130	1
-	Cam-Lock Brake Assembly for 4000 Reels .....	9947.0140	1
-	Cam-Lock Brake Assembly for 1100/1500 Reels w/ Stainless Hardware .....	9947.0129	1
-	Cam-Lock Brake Assembly for 4000 Reels w/ Stainless Hardware .....	9947.0139	1
02	Self Aligning Bearing Complete (Sold Separately) .....	Spec Model	1
03A	Camlock Drag Brake Body for 1100/1500 Reels .....	9947.0131	1
03A	Camlock Drag Brake Body for 4000 Reels .....	9947.0141	1
03B	Cam-Lock Lever .....	9947.0132	1
03C	Brass Barrel Nut for Cam-Lock Brakes .....	9947.0133	1
25A	5/16"-18 x 1-3/4" Hex Head Bolt w/ Nylock Patch .....	9947.0134	1
25A	5/16"-18 x 1-3/4" Stainless Steel Hex Head Bolt w/ Nylock Patch .....	9947.0137	1
25A	5/16"-18 x 2-1/4" Hex Head Bolt w/ Nylock Patch (for 4000 Reels) .....	9904.1107	1
25A	5/16"-18 x 2-1/4" Stainless Steel Hex Head Bolt (for 4000 Reels) .....	9947.0138	1
25B	3/8"-16 x 2" Carriage Bolt ( Replaces x1 Bearing Carriage Bolt) .....	9904.0206	1
25B	Stainless Steel 3/8"-16 x 2" Carriage Bolt ( Replaces x1 Bearing Carriage Bolt).....	9960.0097	1
27	3/8"-16 Stainless Steel Hex Head Nut (ESNA) .....	9960.0099	1
28	5/16" SAE Washer (for 4000 Reels) (Not Shown) .....	9954.0006	1
28	5/16" Stainless Steel Washer (for 4000 Reels) (Not Shown) .....	9960.0094	1