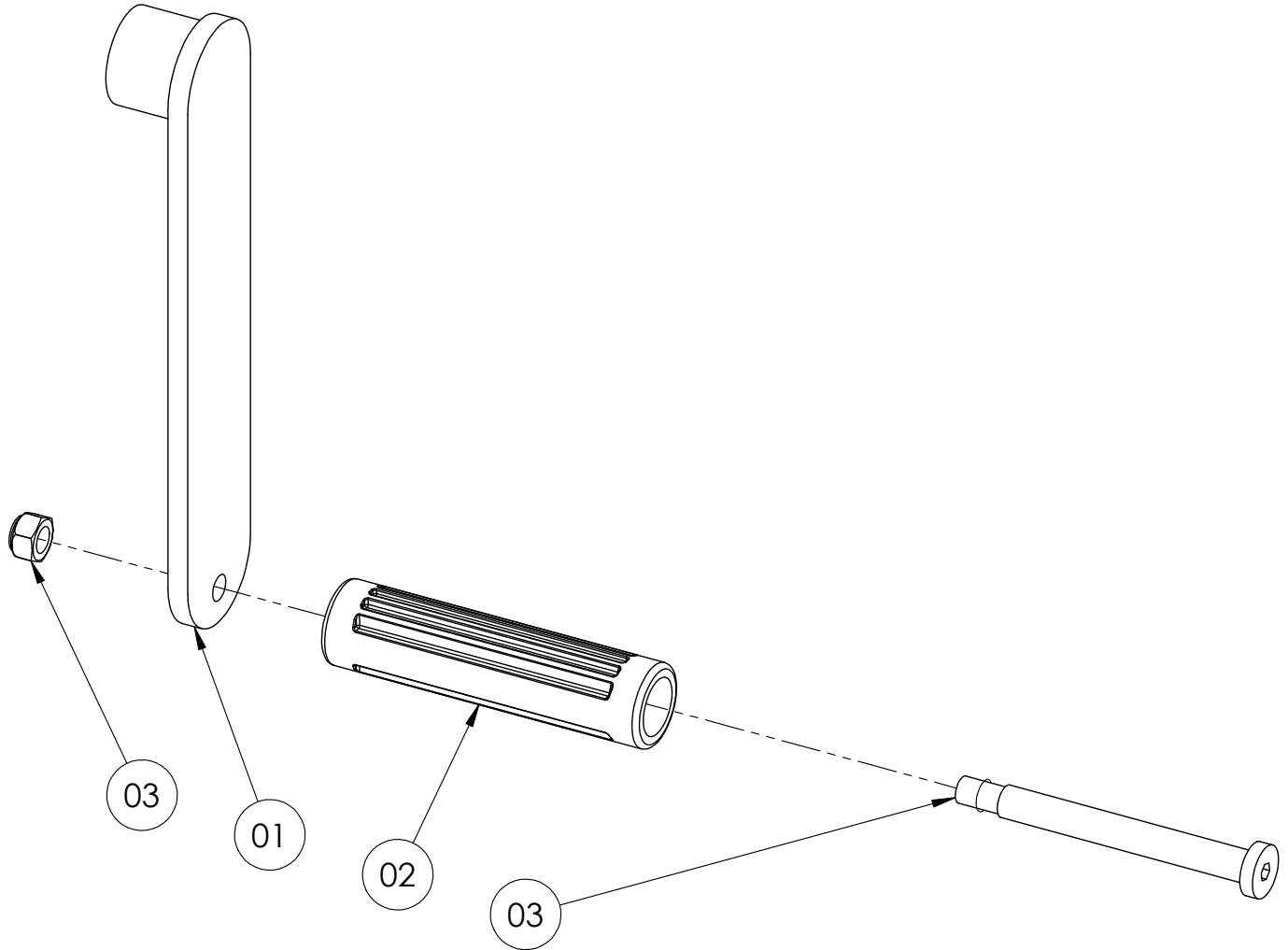


ISO 255
PARTS LIST

**1/2" & 1" Threaded
Crank Handle Assembly**



PARTS LIST
ISO 255
1/2" & 1" Threaded Crank Handle Assembly

When Ordering Parts
BE SURE TO SPECIFY COMPLETE MODEL NUMBER and SERIAL NUMBER OF REEL
USE PART NUMBER!

<u>Item No.</u>	<u>Description</u>	<u>Part No.</u>	<u>Quantity</u>
-	Crank Handle Assembly for 1000 Series Reels.....	9914.0020	1
-	Crank Handle Assembly for 1500/1100 Series Reels.....	9914.0021	1
-	Offset Crank Handle Assembly for AT1100 Series Reels W/ Pneumatic Tires.....	9914.0071	1
-	Crank Handle Assembly for 1800/1200 Series Reels.....	9914.0041	1
-	Crank Handle Assembly for Stainless Steel 1500/1100 Series Reels.....	9914.0024	1
-	Crank Handle Assembly for Stainless Steel 1800/1200 Series Reels.....	9914.0044	1
01	1000 Series Crank Handle Weldment.....	9914.0029	1
01	1500/1100 Series Crank Handle Weldment.....	9914.0028	1
02	AT1100 Series Offset Crank Handle Weldment.....	9914.0027	1
01	1800/1200 Series Crank Handle Weldment.....	9914.0042	1
01	Stainless Steel 1500/1100 Series Crank Handle Weldment.....	9914.0025	1
01	Stainless Steel 1800/1200 Series Crank Handle Weldment.....	9914.0045	1
02	Hand Crank Handle.....	9914.0506	1
03	Hand Crank Handle Bolt w/ Nut.....	9914.0511	1