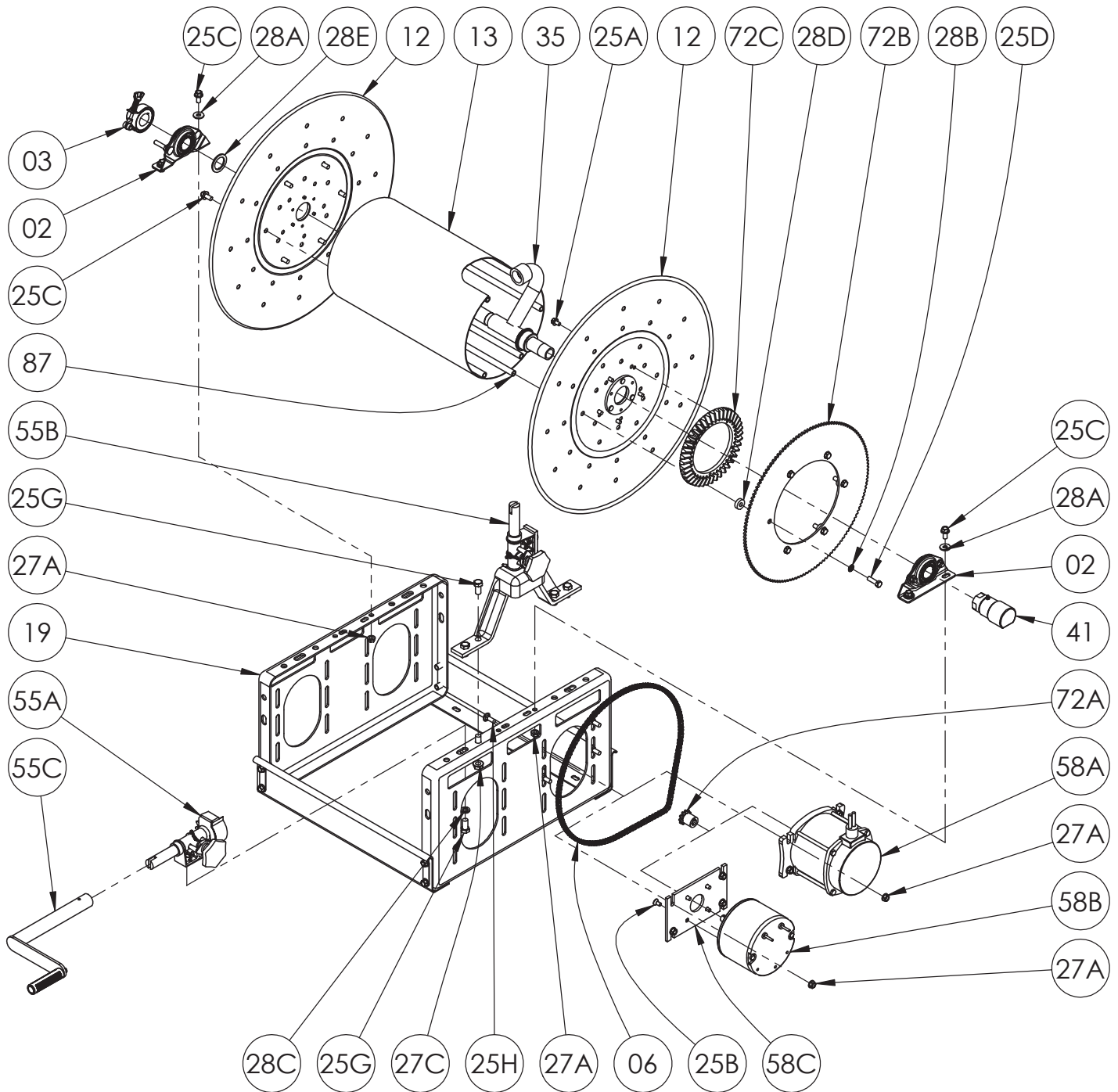




Hannay Reels, Inc.
 553 State Route 143, Westerlo, NY 12193
 www.hannay.com
 Email: reels@hannay.com

Phone 1-518-797-3791
 Toll Free 1-877-GO-REELS (467-3357)
 Fax 1-800-REELING (733-5464)
 Int'l Fax 1-518-797-3259

ISO 84 PARTS LIST 1" HOSE REELS



Hannay ISO Parts Lists are available
 at www.hannay.com

**PARTS LIST
ISO 84
1"Hose Reels**

**When Ordering Parts
BE SURE TO SPECIFY COMPLETE MODEL NUMBER and SERIAL NUMBER OF REEL
USE PART NUMBER!**

<u>Item No.</u>	<u>Description</u>	<u>Part No.</u>	<u>Qty</u>
02	1" Self Aligning Bearing Complete (See ISO-210 for Parts).....	9902.1400	2
03	Comet Brake Bearing Mounted Strap Brake Complete (See ISO-212 for Parts).....	9947.0090	1
06	#35 Chain	Specify Model	1
12	Disc Assembly	Specify Model/Serial #	2
13	10-1/2" Diameter Drum ~Spec Model.....	9905.3131	1
19	Small Steel Pressed Frame Ass'y (Up to 23-24) ~Spec Model (Not Shown)	9908.2000	1
19	Large Steel Pressed Frame Ass'y (Up to 30-31)~Spec Model	9908.3000	1
25A	5/16"-18 x 1/2" Spinlock Bolt (For H26 Ring Gear)	9904.2158	5
25B	5/16"-18 x 5/8" Hex Flat Head Socket Screw	9958.0027	4
25C	3/8"-16 x 3/4" Spinlock Bolt	9904.2201	10 or 16
25D	3/8"-16 x 1-1/4" Hex Head Bolt (For 138T35 Sprocket)	9904.1203	6
25E	3/8"-16 x 1" Spinlock Bolt (For H28 Ring Gear) (Not Shown)	9904.2202	6
25F	3/8"-16 x 1" Button Socket Head Cap Screw (For 180T35 Sprocket) (Not Shown)	9904.9202	6
25G	1/2"-13 x 1" Hex Head Bolt.....	9904.1402	2 or 4
25H	3/8"-16 x 1" Carriage Bolt.....	9904.0200	4
27A	3/8"-16 Spinlock Nut.....	9904.6200	8 or 14
27B	3/8" Hex Head Jam Nut (For 180T35 Sprocket) (Not Shown).....	9965.0012	6
27C	1/2"-13 Spinlock Nut (For Vertical Rewind)	9904.5400	4
28A	3/8" Flat Washer	9954.0007	4
28B	3/8" Internal Tooth Washer (For 138T35 Sprocket).....	9954.0095	6
28C	1/2" Lock Washer	9954.0030	2
28D	Sprocket Spacer (5/16" Thick).....	9954.0017	6
28E	1" Hub Spacer Washer.....	9954.0021	As Needed
35	1" Hub Assembly ~ Specify Model/Serial Number.....	9901.1600	1
41	1" FNPT Full Flow Super Swivel Joint.....	9929.8552	1
55A	Manual Rewind Assy W/H-27 (For Reels Up to 25-26 Series) (See ISO-209 for Parts)	9914.0200	1
55A	Manual Rewind Assy W/ H-29 (For Reels Over 25-26) (See ISO-209 for Parts)	9914.0210	1
55B	Vertical Rewind Assembly (See ISO-209 for Parts).....	9914.0223	1
55C	H-18 Crank Handle (10" Length) Complete (See ISO-214 for Parts).....	9914.0011	1
58A	Motor, 12 Volt Explosion-Proof	9915.0003	1
58B	Motor, 12 Volt Non-Explosion Proof.....	9915.0042	1
58C	Motor Mounting Plate (For Non Explosion Proof Motor).....	9923.0008	1
72A	11T35 Motor Sprocket, 1-5/16" Long.....	9910.1118	1
72B	112T35 Disc Sprocket (19-21 Discs) (Not Shown).....	9910.1321	1
72B	138T35 Disc Sprocket (23-24 and 25-26 Discs).....	9910.1423	1
72B	180T35 Disc Sprocket (30-31 Discs) (Not Shown).....	9910.1526	1
72C	H-26 Ring Gear (Up to 25-26)	9914.0372	1
72C	H-28 Ring Gear (26-27 and above) (Not Shown).....	9914.0382	1
73	Woodruff Key #9 (3/16" x 3/4") (For Motor and Comet Brake) (Not Shown)	9916.0080	2
87	Anodized Threaded Spacer Pipe.....	Spec Model	6