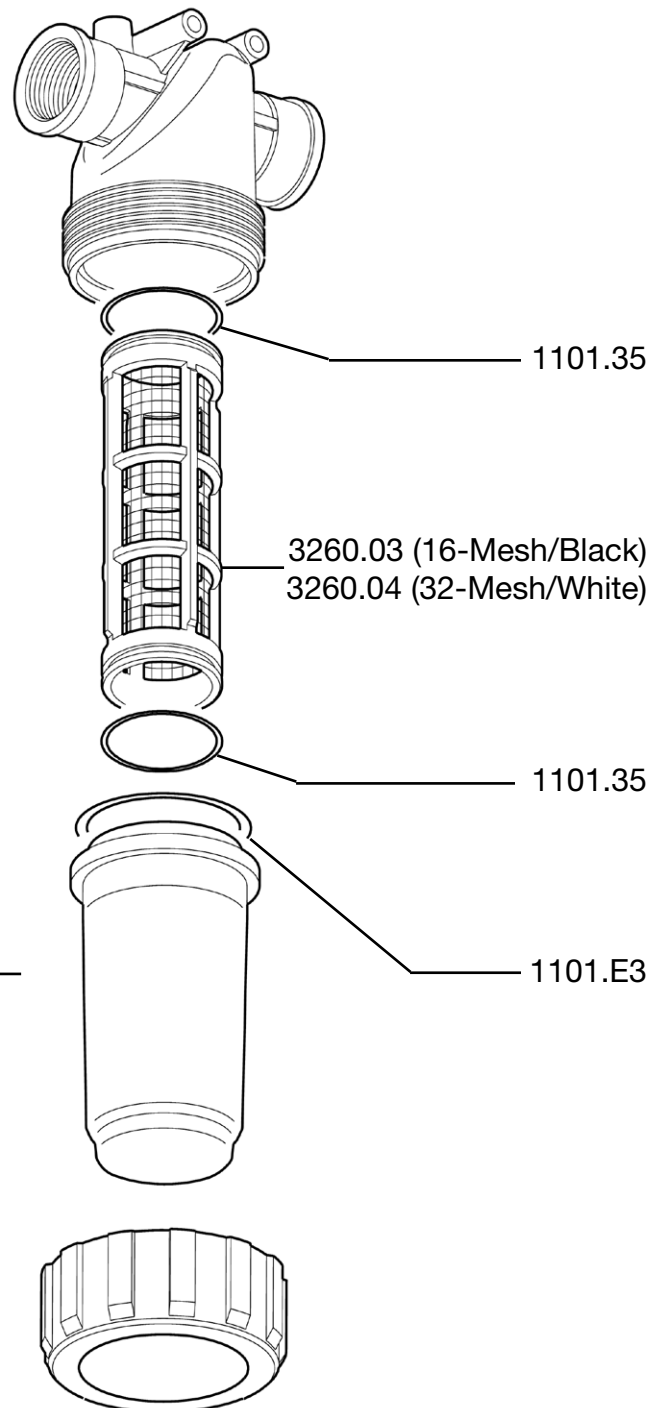




UD-1"-16 & UD-1"-32

Polypropylene Inline Filter

UDOR large area 1" filters are made of polypropylene and feature a high flow, 16 mesh stainless steel screen. Specifically designed for use with diaphragm pumps. Optional 32-mesh screen available for use with plunger pumps.



PARTS LIST

PART#	DESCRIPTION	QTY
1101.35	O-Ring	2
1101.E3	O-Ring	1
3260.03	Screen, 16-Mesh/Black	1
3260.04	Screen, 32-Mesh/White	1

PROTECT FROM FREEZING

If freezing conditions exist, flush pump with a 50/50 mixture of antifreeze and water

UDOR U.S.A., INC.
 500 Apollo Drive
 Lino Lakes, MN 55014
 TEL. (651) 785-0666
 FAX. (800) 732-2670
 www.udorusa.com