

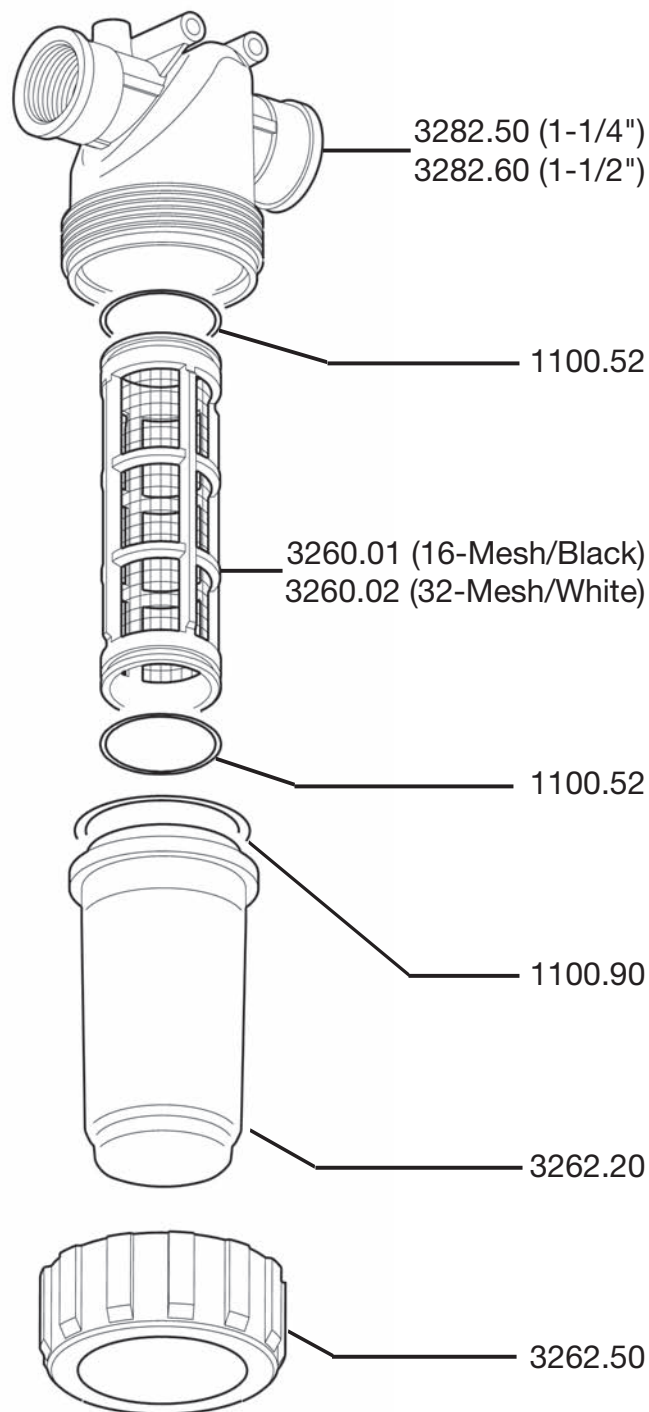


# UD-1-1/4-16 & UD-1-1/2-16

## Polypropylene Inline Filter

UDOR large area 1-1/4" & 1-1/2" filters are made of polypropylene and feature a high flow, 16 mesh stainless steel screen. Specifically designed for use with diaphragm pumps. Optional 32-mesh screen available for use with plunger pumps.

Filters include 1/4" FNPT port for vacuum gauge or vacuum switch installation.



### PARTS LIST

PART#	DESCRIPTION	QTY
1100.52	O-Ring	2
1100.90	O-Ring	1
3260.01	Screen, 16-Mesh/Black	1
3260.02	Screen, 32-Mesh/White	1
3262.20	Bowl	1
3262.50	Nut	1
3282.50	Top, 1-1/4"	1
3282.60	Top, 1-1/2"	1