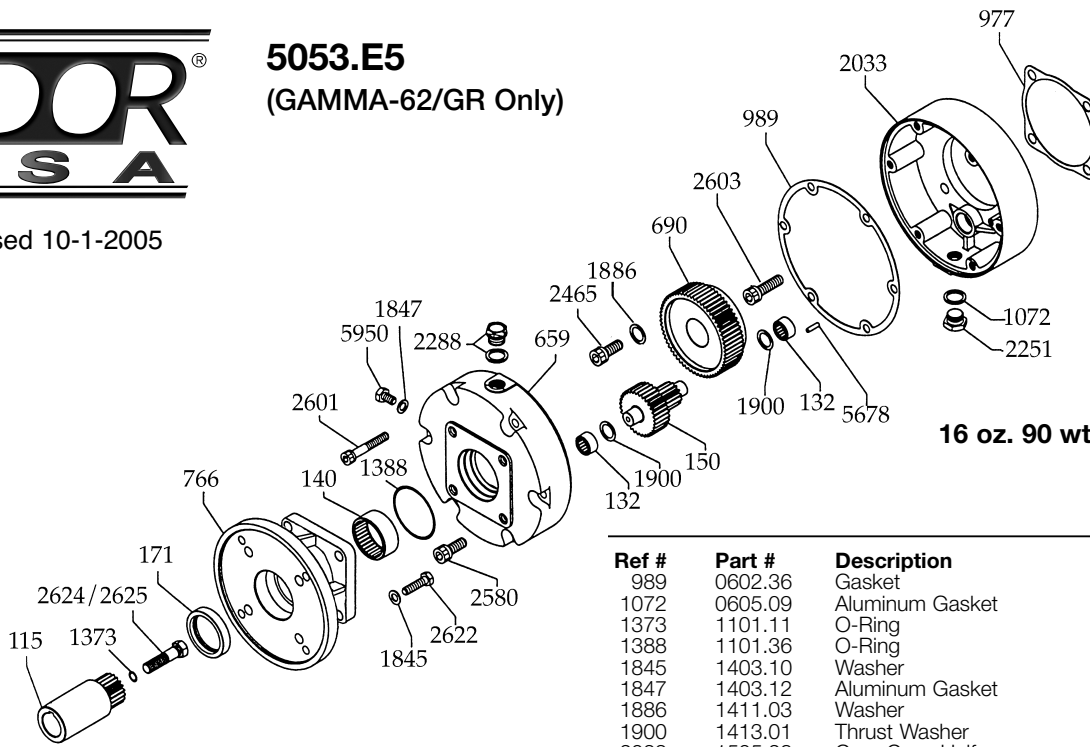




5053.E5
(GAMMA-62/GR Only)

Revised 10-1-2005



16 oz. 90 wt. Gear Lube

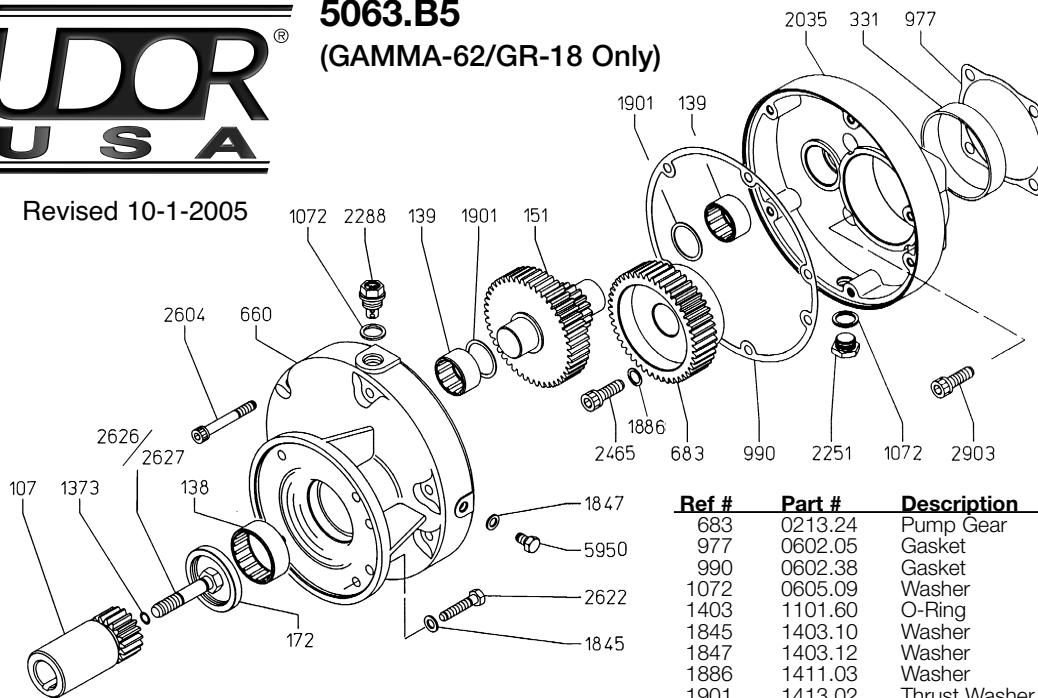
Ref #	Part #	Description	Qty.
115	0004.21	Engine Gear	1
132	0006.01	Bearing	2
140	0006.11	Bearing	1
150	0019.01	Transmission Gear	1
171	0007.33	Seal	1
659	0212.09	Gear Case Half	1
690	0213.34	Pump Gear	1
766	0228.27	Engine Flange	1
977	0602.05	Gasket	1

Ref #	Part #	Description	Qty.
989	0602.36	Gasket	1
1072	0605.09	Aluminum Gasket	1
1373	1101.11	O-Ring	1
1388	1101.36	O-Ring	1
1845	1403.10	Washer	4
1847	1403.12	Aluminum Gasket	1
1886	1411.03	Washer	1
1900	1413.01	Thrust Washer	2
2033	1505.28	Gear Case Half	1
2251	1603.02	Oil Plug	1
2288	1603.81	Vent Cap	1
2465	1805.01	Bolt	1
2601	1805.36	Bolt	6
2603	1805.12	Bolt	4
2622	1807.07	Bolt	4
2624	1807.09	Bolt	1
2625	1807.10	Bolt	1
5950	1804.77	Side Plug	1
5678	1512.08	Guide Pin	1



5063.B5
(GAMMA-62/GR-18 Only)

Revised 10-1-2005



28 oz. 90 wt. Gear Lube

Ref #	Part #	Description	Qty.
107	0004.26	Engine Gear	1
138	0006.04	Bearing	1
139	0006.10	Bearing	2
151	0019.02	Transmission Gear	1
172	0007.34	Seal	1
331	0115.02	Bushing	1
660	0212.11	Gear Case Half	1

Ref #	Part #	Description	Qty.
683	0213.24	Pump Gear	1
977	0602.05	Gasket	1
990	0602.38	Gasket	1
1072	0605.09	Washer	2
1403	1101.60	O-Ring	1
1845	1403.10	Washer	4
1847	1403.12	Washer	1
1886	1411.03	Washer	1
1901	1413.02	Thrust Washer	2
2035	1505.31	Gear Case Half	1
2251	1603.02	Oil Plug	1
2288	1603.81	Vent Cap	1
2465	1805.01	Bolt	1
2603	1805.12	Bolt	4
2604	1805.15	Bolt	6
2622	1807.07	Bolt	4
2626	1807.11	Bolt	1
2627	1807.12	Bolt	1
5950	1804.77	Side Plug	1

DRIVE COMPONENTS