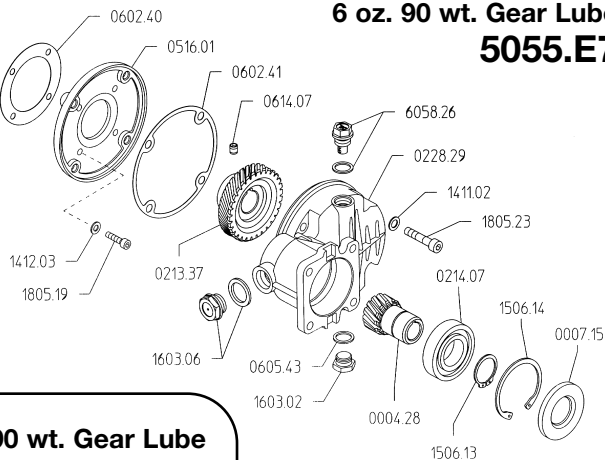




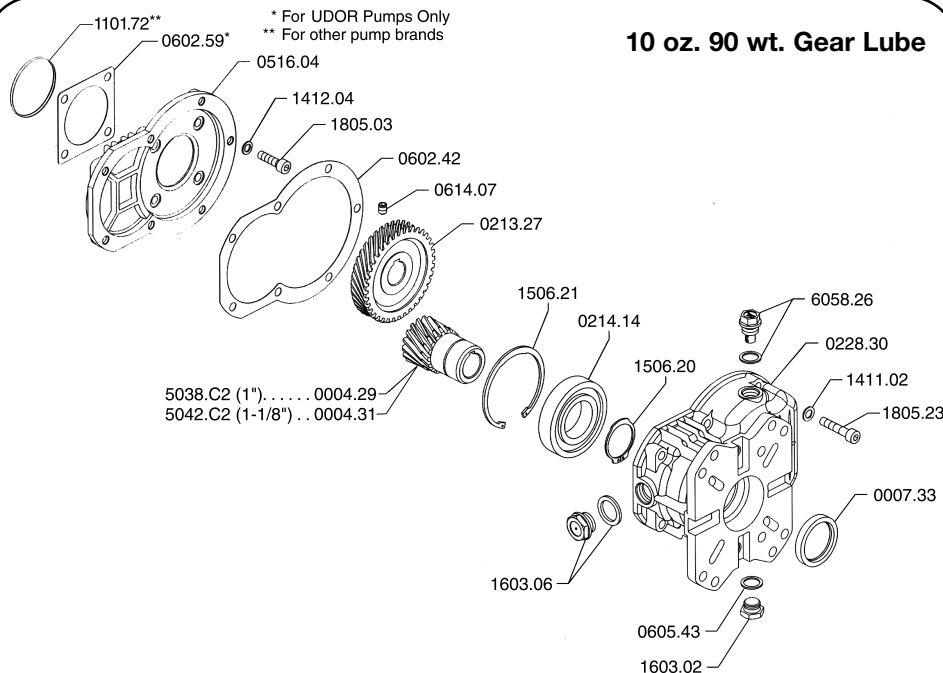
**GAS ENGINE
GEAR
REDUCTIONS**

Revised 10-1-2005

**6 oz. 90 wt. Gear Lube
5055.E7**

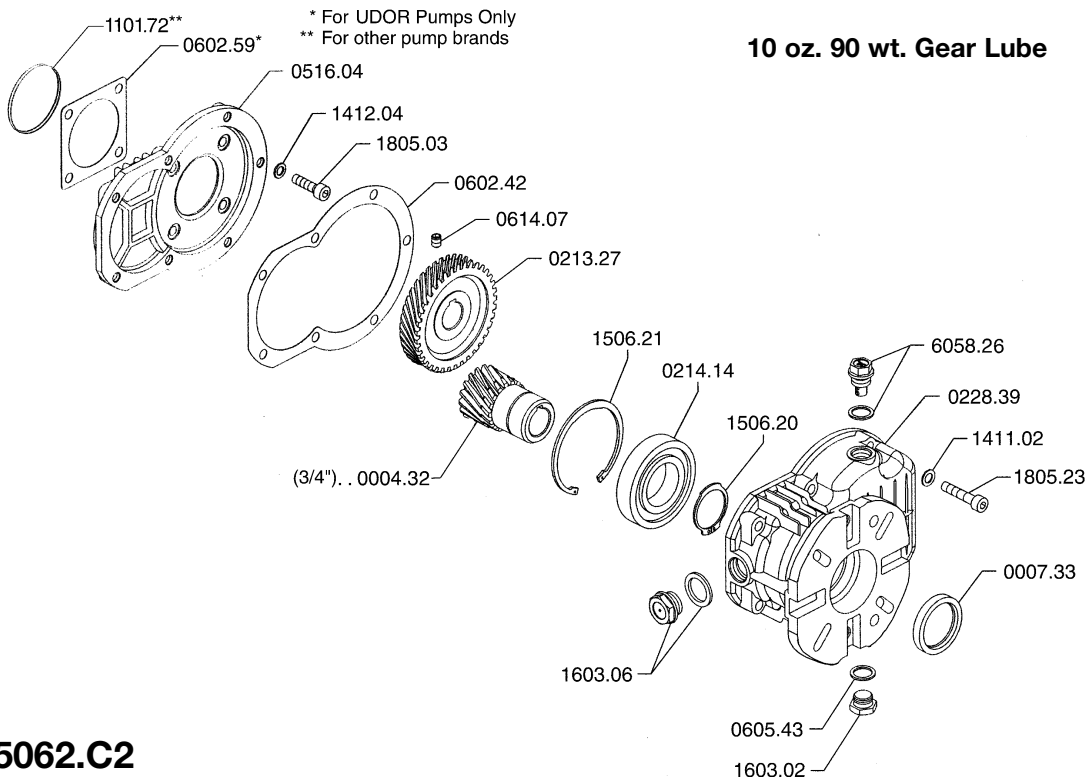


10 oz. 90 wt. Gear Lube



NOTE: For G-Series gear reduction applications, a pump support rail with vibration isolators or an UDOR torque plate must be used. Contact UDOR U.S.A. for more information

10 oz. 90 wt. Gear Lube



5062.C2

DRIVE COMPONENTS