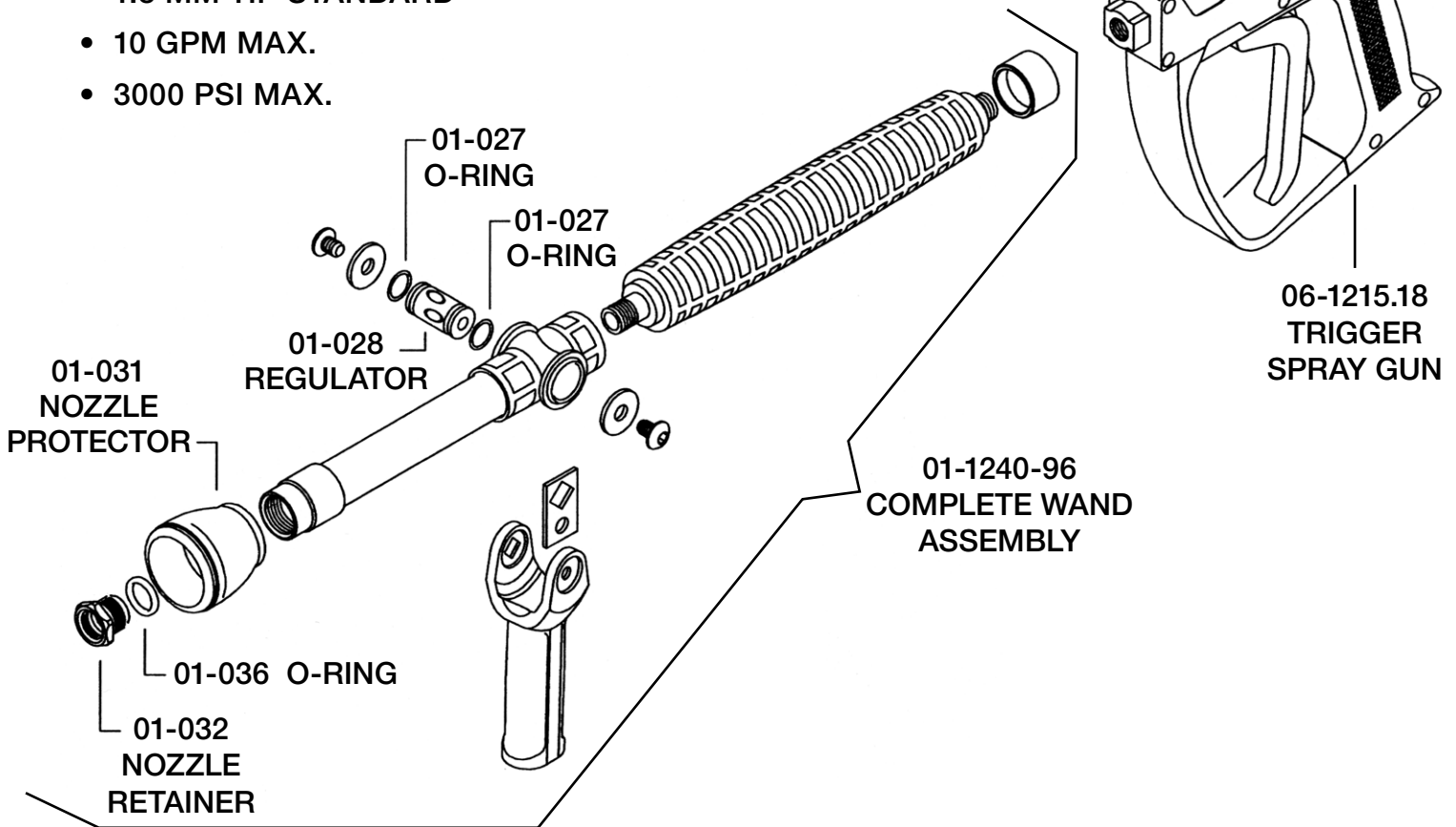




22.901.161

High Pressure Adjustable Pattern Spray Gun

- 3/8" FNPT INLET
- 1.8 MM TIP STANDARD
- 10 GPM MAX.
- 3000 PSI MAX.



SPRAY TIP PERFORMANCE CHART

MODEL	ORIFICE (MM)	MATERIAL	1000 PSI	1500 PSI	2000 PSI	2500 PSI	3000 PSI
68.1802.50	1.2	Ceramic	2.0	2.4	2.6	2.9	3.5
68.1802.51	1.5	Ceramic	2.5	3.0	3.5	3.9	4.4
68.1802.52	1.8	Ceramic	3.5	4.1	4.7	5.3	5.9
68.1802.53	2.0	Ceramic	4.5	5.1	5.8	6.2	6.8
68.1802.54	2.3	Ceramic	6.0	7.0	8.0	9.0	10.0
68.1802.16	2.5	Ceramic	7.5	9.0	10.5	11.5	13.0
68.1802.17	3.0	Ceramic	10.0	12.0	14.0	16.0	18.0
13.1802.73	3.5	S/S	13.0	16.0	19.0	22.0	26.0

UDOR USA
 500 Apollo Drive
 Lino Lakes, MN 55014
 Phone: (651) 785-0666
 Fax: (800) 732-2670
 www.udorusa.com