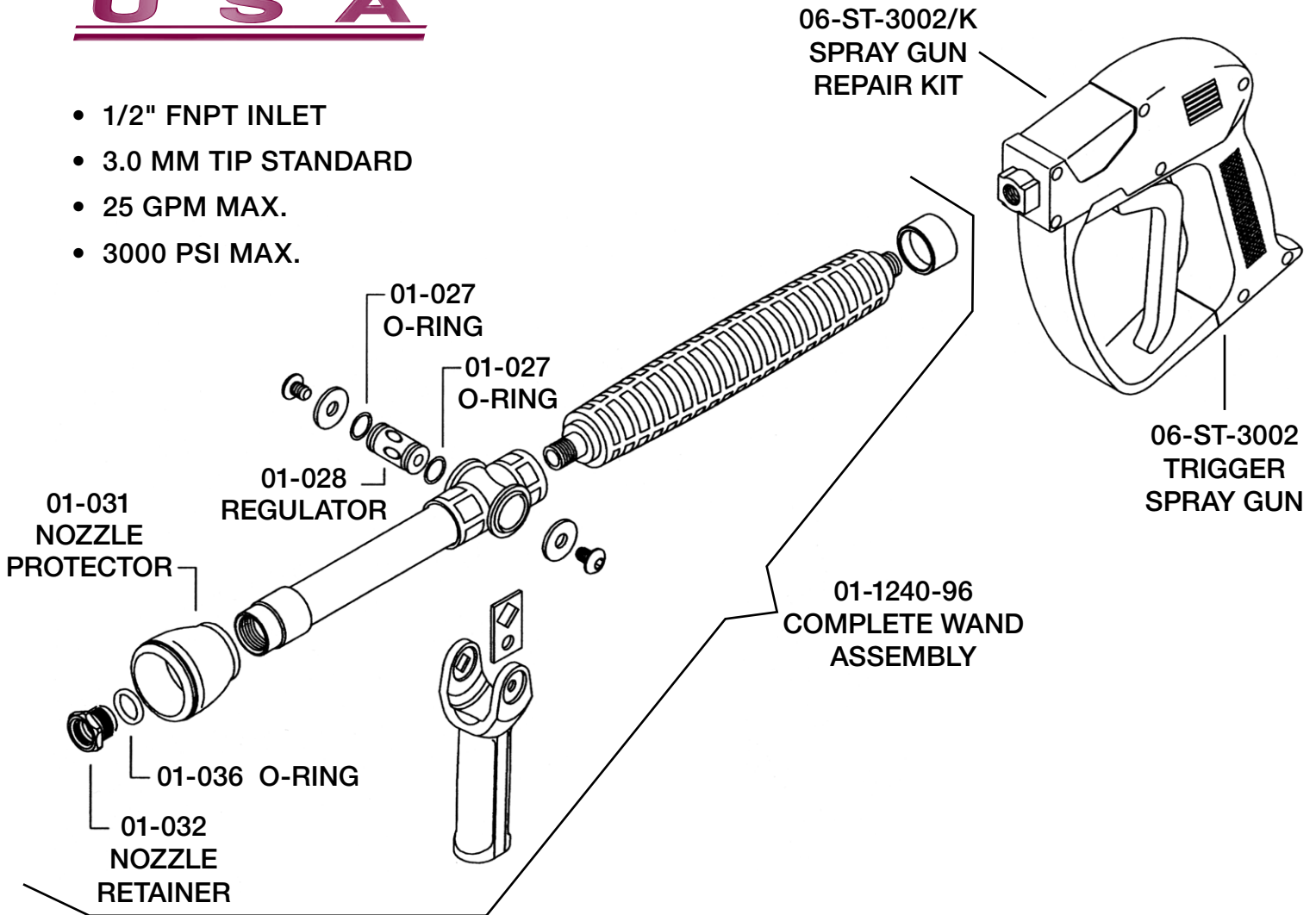




22.901.163

High Pressure Adjustable Pattern Spray Gun

- 1/2" FNPT INLET
- 3.0 MM TIP STANDARD
- 25 GPM MAX.
- 3000 PSI MAX.



SPRAY TIP PERFORMANCE CHART

| MODEL | ORIFICE (MM) | MATERIAL | 1000 PSI | 1500 PSI | 2000 PSI | 2500 PSI | 3000 PSI |
|------------|--------------|----------|----------|----------|----------|----------|----------|
| 68.1802.50 | 1.2 | Ceramic | 2.0 | 2.4 | 2.6 | 2.9 | 3.5 |
| 68.1802.51 | 1.5 | Ceramic | 2.5 | 3.0 | 3.5 | 3.9 | 4.4 |
| 68.1802.52 | 1.8 | Ceramic | 3.5 | 4.1 | 4.7 | 5.3 | 5.9 |
| 68.1802.53 | 2.0 | Ceramic | 4.5 | 5.1 | 5.8 | 6.2 | 6.8 |
| 68.1802.54 | 2.3 | Ceramic | 6.0 | 7.0 | 8.0 | 9.0 | 10.0 |
| 68.1802.16 | 2.5 | Ceramic | 7.5 | 9.0 | 10.5 | 11.5 | 13.0 |
| 68.1802.17 | 3.0 | Ceramic | 10.0 | 12.0 | 14.0 | 16.0 | 18.0 |
| 13.1802.73 | 3.5 | S/S | 13.0 | 16.0 | 19.0 | 22.0 | 26.0 |

UDOR USA

500 Apollo Drive
Lino Lakes, MN 55014
Phone: (651) 785-0666
Fax: (800) 732-2670
www.udorusa.com