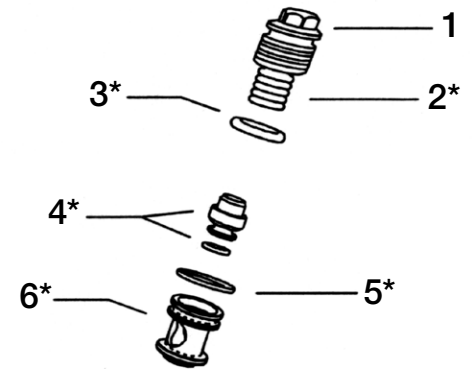




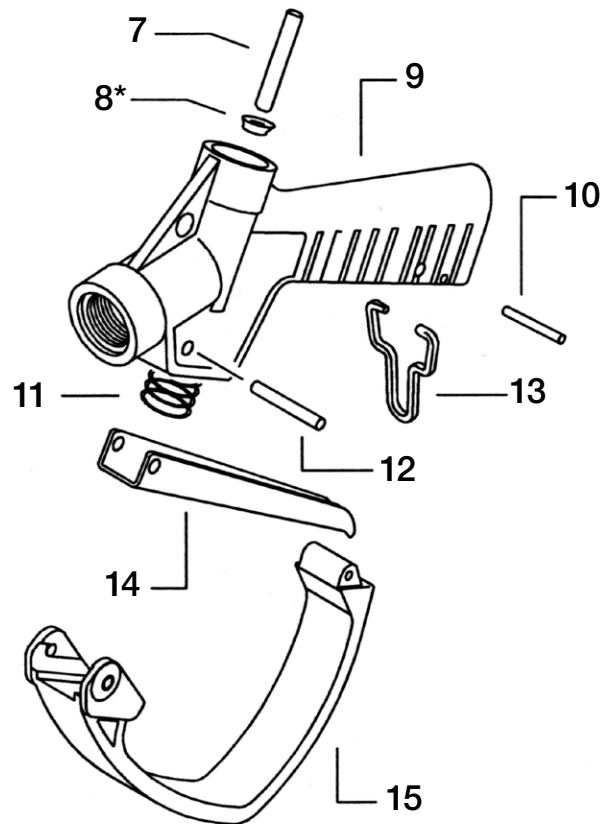
23.208.84

Aluminum Trigger Valve

- 1/2" FNPT INLET & OUTLET
- 18 GPM MAX.
- 700 PSI MAX.



REF. #	PART#	DESCRIPTION	QTY
1	01-29.1702.26	PLUG	1
*2		SPRING	1
*3	01-23.602.37	O-RING	1
*4		POPPET ASSY	1
*5	01-23.602.36	O-RING	1
*6		SEAT	1
7	01-23.1304.29	PLUNGER	1
*8		SEAL	1
9		GUN BODY	1
10		PIN	1
11	01-23.1003.16	SPRING	1
12	01-29.1607.3	PIN	1
13	01-29.507.10	TRIGGER CLIP	1
14		TRIGGER	1
15		TRIGGER GUARD	1



* PARTS INCLUDED IN REPAIR KIT 01-8711.03

UDOR USA
 500 Apollo Drive
 Lino Lakes, MN 55014
 Phone: (651) 785-0666
 Fax: (800) 732-2670
 www.udorusa.com