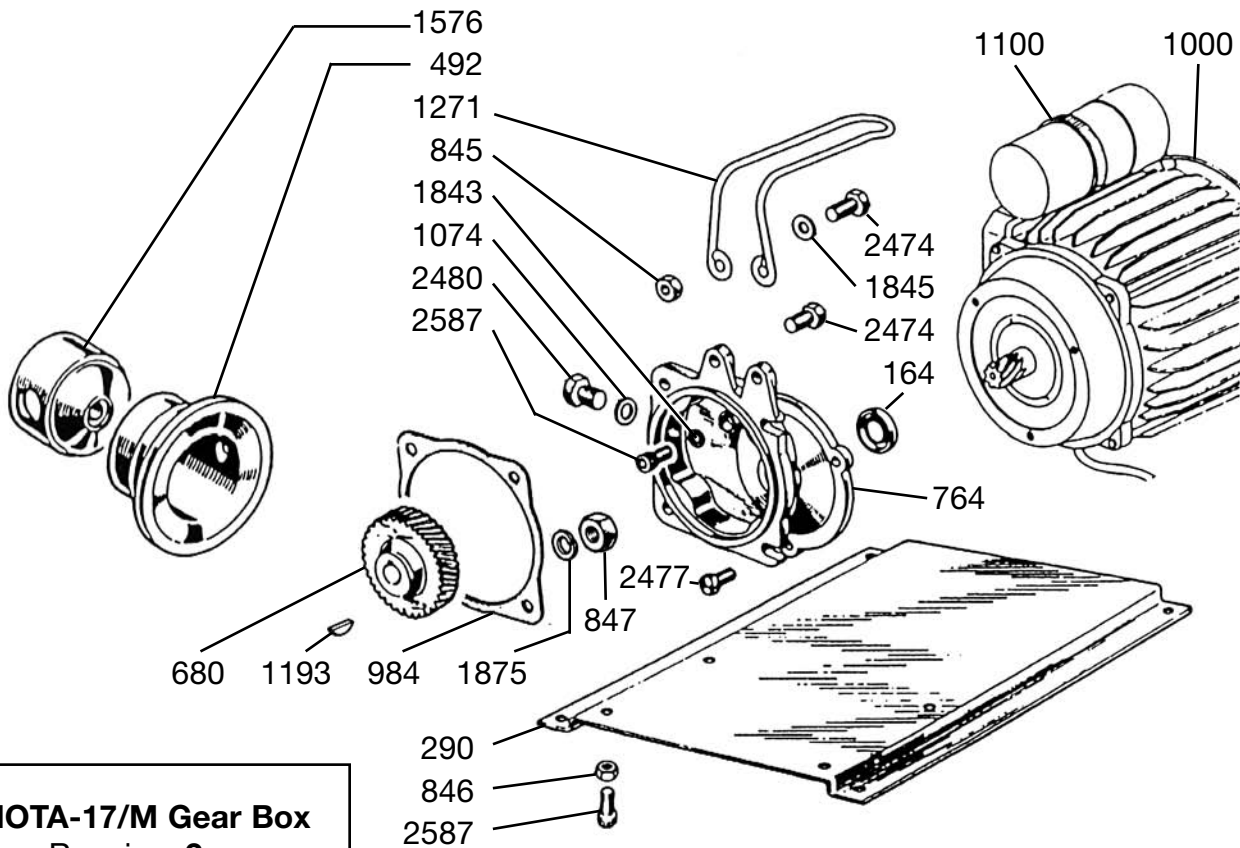




# IOTA-17/M

## Supplemental Parts List

Parts listed are in addition to, or replacing, standard IOTA-17 parts.



**IOTA-17/M Gear Box**  
Requires **2 oz.**  
of 90W Gear Lube

REF#	PART#	DESCRIPTION	QTY	REF#	PART#	DESCRIPTION	QTY
164	0007.22	Seal	1	1576	1205.15	Piston, IOTA-17/M	2
290	0107.03	Base Plate	1	1843	1403.07	Washer	1
492	0206.18	Piston Sleeve, IOTA-17/M	2	1845	1403.10	Washer	4
680	0213.18	Gear, IOTA-17/M	1	1875	1404.01	Lock Washer	1
764	0228.17	Gear Housing	1	2474	1804.57	Bolt	6
845	0303.01	Nut	2	2477	1804.67	Bolt	2
846	0303.02	Nut	4	2480	1804.76	Oil Level Plug	1
847	0303.10	Nut	1	2587	1805.20	Bolt	4
984	0602.25	Gasket	1		12-13/HP-1	Fan	1
1000	0908.31	Electric Motor, 1 HP	1		12-14/HP-1	Fan Cover	1
1074	0605.17	Washer	1		12-15/HP-1	On/Off Switch	1
1100	1238.73	Capacitor	1		12-17/HP-1	Complete Switch Box	1
1193	0801.03	Key	1		12-18/HP-1	Overload Protector	1
1271	0902.19	Handle	1				

**PROTECT PUMP FROM FREEZING.**

If freezing conditions exist, flush pump with a 50/50 mixture of antifreeze and water.