

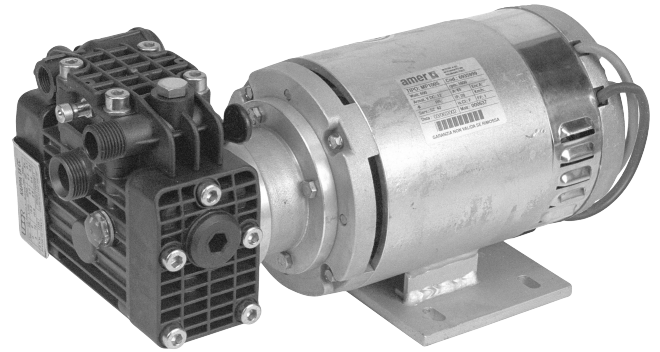


KAPPA-15/18 12-Volt-HP

12-Volt DC Powered Diaphragm Pump

KAPPA Series 12-Volt-HP Diaphragm Pumps are excellent for various pest control, agricultural, lawn care & injection spraying applications.

For spraying applications not listed, please consult UDOR U.S.A.



SPECIFICATIONS

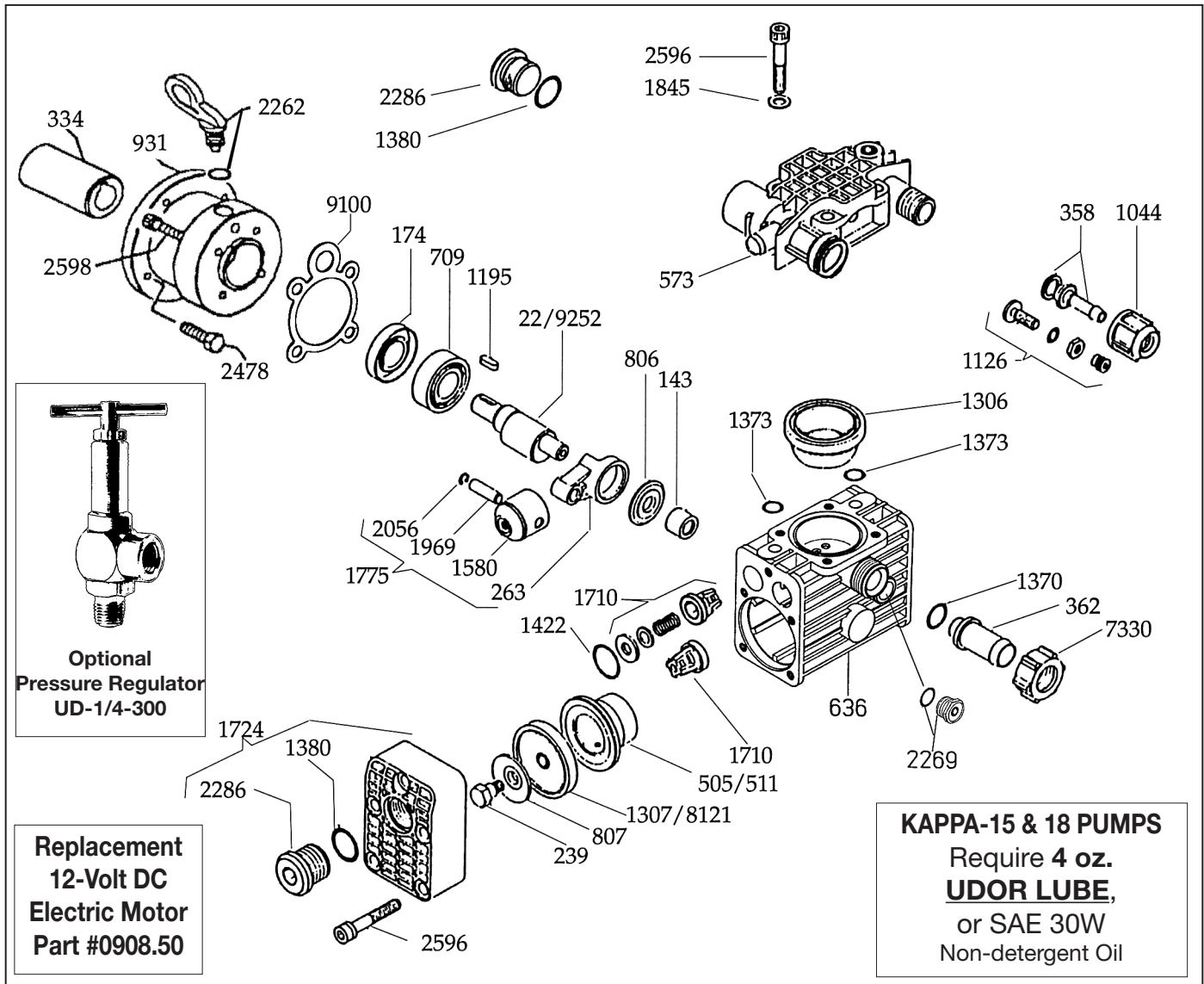
| | |
|----------------------------|--|
| Maximum Flow | |
| KAPPA-15/12-Volt-HP | 3.5 GPM |
| KAPPA-18/12-Volt-HP | 4.2 GPM |
| Maximum Pressure | |
| KAPPA-15/12-Volt-HP | 200 PSI |
| KAPPA-18/12-Volt-HP | 150 PSI |
| Hose Barb Ports | |
| Inlet | 3/4" Hose Barb |
| Outlet | 1/2" Hose Barb |
| Dimensions | L-14" x W-7" x H-7" |
| Weight | 35 lbs. |
| Liquid Handling Parts..... | Anodized Aluminum, Glass-filled Nylon & Stainless Steel. |
| Diaphragm Material | |
| Standard | DESMOPAN |
| Optional | BUNA-N |

UDOR U.S.A., INC.

500 Apollo Drive
Lino Lakes, MN 55014
TEL. (651) 785-0666
FAX. (800) 732-2670
www.udorusa.com

KAPPA-15 & KAPPA-18/12-Volt-HP

Exploded View Diagram and Parts List



| Ref. # | Part # | Qty. | Description | Ref. # | Part # | Qty. | Description |
|--------|-------------|------|------------------------------------|--------|---------|------|-----------------------------|
| 22 | 0002.75 | 1 | Crankshaft - KAPPA-15 | 1370 | 1101.06 | 1 | O-Ring |
| 143 | 0006.13 | 1 | Bearing | *1373 | 1101.11 | 2 | O-Ring |
| 174 | 0007.37 | 1 | Seal | 1380 | 1101.25 | 3 | O-Ring |
| 239 | 0102.02 | 2 | Diaphragm Bolt | 1422 | 1101.78 | 4 | O-Ring |
| 263 | 0103.07 | 2 | Connecting Rod | 1580 | 1205.27 | 2 | Piston |
| 334 | 0113.18 | 1 | Shaft Coupler | 1710 | 6006.11 | 4 | Valve Assembly |
| 358 | 0202.19 | 1 | 1/2" Hose Barb | 1724 | 6017.14 | 2 | Pump Head |
| 362 | 0202.27 | 1 | Suction Hose Barb | 1775 | 6015.31 | 2 | Piston Rod Assembly |
| 505 | 0206.33 | 2 | Piston Sleeve - KAPPA-15 | 1845 | 1403.10 | 8 | Washer |
| 511 | 0206.37 | 2 | Piston Sleeve - KAPPA-18 | 1969 | 1502.11 | 2 | Wrist Pin |
| 573 | 0208.47/12V | 1 | Discharge Manifold | 2056 | 1506.24 | 2 | Snap Ring |
| 636 | 0209.48 | 1 | Pump Body | 2262 | 1603.24 | 1 | Oil Plug |
| 709 | 0214.17 | 1 | Bearing | 2269 | 1603.69 | 1 | Oil Sight Glass |
| 806 | 0301.35 | 1 | Spacer | 2286 | 1603.87 | 3 | Plug |
| 807 | 0301.37 | 2 | Diaphragm Washer | 2478 | 1804.68 | 4 | Bolt |
| 931 | 0501.92 | 1 | Flange | 2596 | 1805.23 | 14 | Bolt |
| 1044 | 0604.41 | 1 | Barb Nut | 2598 | 1805.31 | 4 | Bolt |
| 1126 | 0608.16 | 1 | Air Valve Assembly | 7330 | 0604.29 | 1 | Barb Nut |
| 1195 | 0801.08 | 1 | Shaft Key | *8121 | 0903.49 | 2 | Piston Diaphragm (DESMOPAN) |
| *1306 | 0903.44 | 1 | Accumulator Diaphragm | 9100 | 0602.49 | 1 | Gasket |
| 1307 | 0903.45 | 2 | Piston Diaphragm (BUNA-N) optional | 9252 | 0002.96 | 1 | Crankshaft - KAPPA-18 |

* Parts included in Diaphragm Repair Kit, Part # 8700.27.
Also available in BUNA-N, Part # 8700.28