



ZETA-170/HYD

Low Pressure Hydraulic Driven Diaphragm Pump

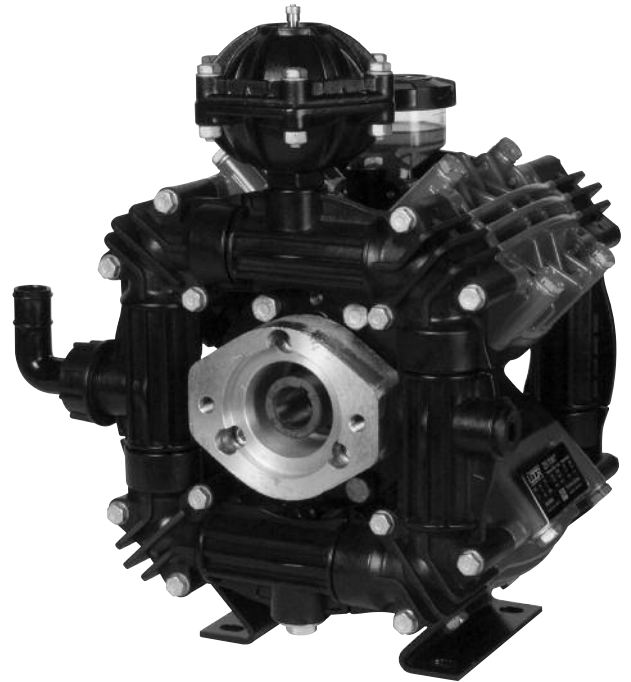
ZETA-170/HYD low pressure diaphragm pumps are excellent for various horticultural, agricultural and industrial spraying applications. Simplicity of design and common parts allow easy and affordable maintenance.

Liquid handling parts are plasticized aluminum, glass-filled nylon and stainless steel. Built-in pulsation dampener is standard on all models.

The ZETA-170/HYD comes standard with a 1" female keyed shaft and a 2 bolt "A"mount flange.

For industrial uses and spraying applications not listed, please consult UDOR U.S.A.

A control unit is not included with the ZETA-170/HYD. Please consult UDOR U.S.A. Diaphragm Pump catalog or website for appropriate unit.



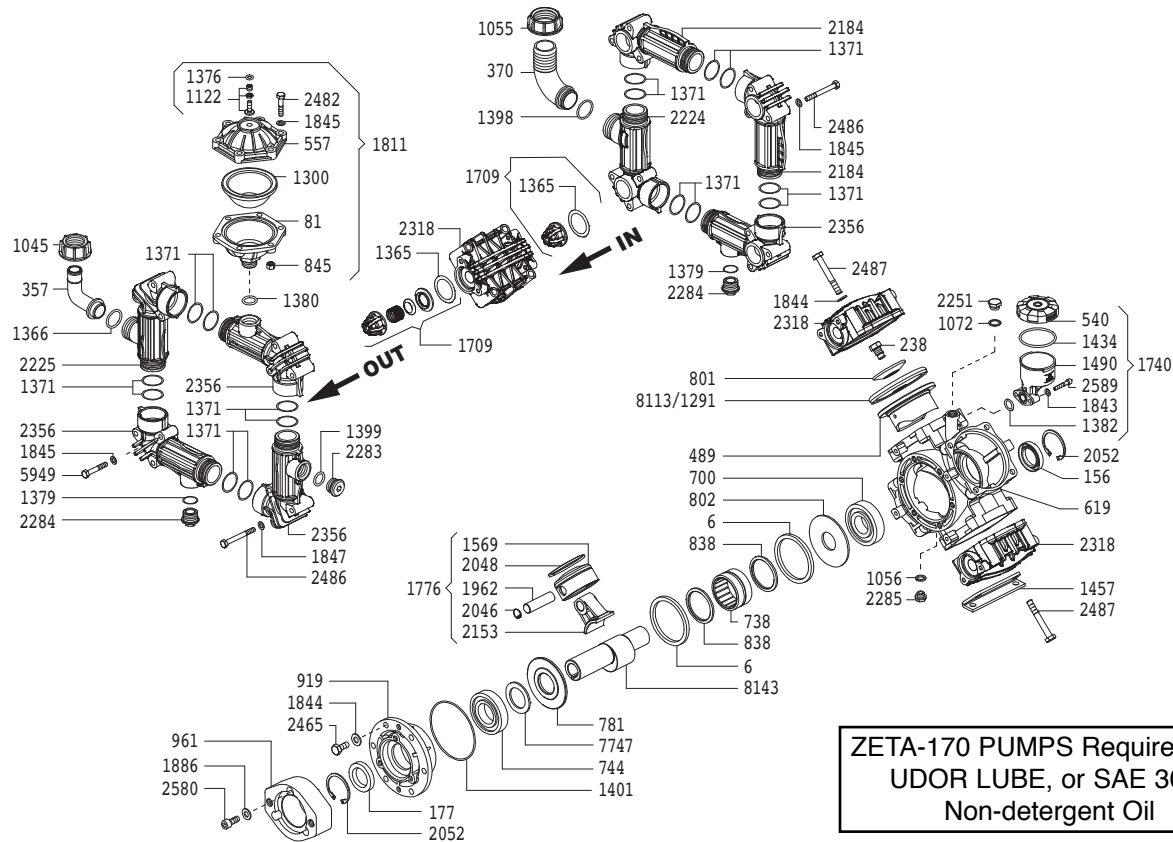
SPECIFICATIONS

| | |
|-------------------------------|-------------------------|
| Maximum Flow | 45 GPM |
| Maximum Pressure | 300 PSI |
| Maximum Pump Speed | 540 RPM |
| Maximum Temperature | 140° F |
| Ports | |
| Inlet | 1-1/2" Hose Barb |
| Discharge | 1" Hose Barb |
| Dimensions | L-12" x W-15.5" x H-17" |
| Weight | 56 lbs. |
| Diaphragm Material | |
| Standard | DESMOPAN |
| Optional | BUNA-N |

NOTE - Protect pumps from freezing. If freezing conditions exist, flush pump and system a 50/50 mixture of anti-freeze and water.

UDOR U.S.A., INC.
500 Apollo Drive
Lino Lakes, MN 55014
TEL. (651) 785-0666
FAX (800) 732-2670
www.udorusa.com

ZETA-170/HYD - Exploded View Diagram & Parts List



| REF# | PART# | DESCRIPTION | QTY | REF# | PART# | DESCRIPTION | QTY |
|-------|---------|-----------------------------------|-----|-------|---------|-------------------------------------|-----|
| 6 | 0001.08 | Retainer Ring | 2 | 1434 | 1101.01 | O-Ring | 1 |
| 81 | 0003.15 | Pressure Accumulator | 1 | 1457 | 1202.97 | Mounting Rail | 2 |
| 156 | 0007.02 | Seal | 1 | 1490 | 1203.27 | Oil Reservoir Assembly | 1 |
| 177 | 0007.41 | Shaft Seal | 1 | 1569 | 1205.08 | Aluminum Piston | 4 |
| 238 | 0102.03 | Diaphragm Bolt | 4 | 1709 | 6006.08 | Valve Assembly | 8 |
| 357 | 0202.18 | Discharge Elbow | 1 | 1740 | 6033.01 | Oil Reservoir Assembly | 1 |
| 370 | 0202.78 | Suction Elbow | 1 | 1776 | 6015.61 | Piston & Rod Assembly | 4 |
| 489 | 0206.14 | Piston Sleeve | 4 | 1811 | 6031.09 | Accumulator Assembly | 1 |
| 540 | 0208.98 | Oil Reservoir Cap | 1 | 1843 | 1403.07 | Washer | 2 |
| 557 | 0208.20 | Accumulator Head | 1 | 1844 | 1403.09 | Washer | 18 |
| 619 | 0209.A9 | Pump Body (ZETA-170/HYD) | 1 | 1845 | 1403.10 | Washer | 22 |
| 700 | 0214.04 | Ball Bearing | 1 | 1886 | 1411.03 | Washer | 3 |
| 738 | 0216.07 | Roller Bearing | 1 | 1962 | 1502.02 | Connecting Rod Pin | 4 |
| 744 | 0214.14 | Bearing | 1 | 2046 | 1506.02 | Snap Ring | 8 |
| 781 | 0301.48 | Washer | 1 | 2048 | 1509.05 | Piston Ring | 4 |
| 801 | 0301.07 | Retainer Washer | 4 | 2052 | 1506.16 | Snap Ring | 2 |
| 802 | 0301.28 | Washer | 1 | 2153 | 1519.35 | Connecting Rod | 4 |
| 838 | 0302.59 | Spacer Ring | 2 | 2184 | 1601.38 | Manifold | 2 |
| 845 | 0303.01 | Hex Nut | 6 | 2224 | 1601.37 | Suction Manifold | 1 |
| 919 | 0501.L3 | Bearing Flange | 1 | 2225 | 1605.41 | Discharge Manifold | 1 |
| 961 | 0501.01 | Adapter Flange | 1 | 2251 | 1603.02 | Oil Plug | 1 |
| 1045 | 0604.32 | Barb Nut | 1 | 2282 | 1603.50 | Drain Plug | 1 |
| 1055 | 0604.50 | Barb Nut | 1 | 2283 | 1603.87 | Plug | 1 |
| 1056 | 0605.49 | Gasket | 1 | 2284 | 1603.36 | Plug | 2 |
| 1072 | 0605.09 | Aluminum Gasket | 1 | 2285 | 1603.67 | Plug | 1 |
| 1122 | 0608.16 | Air Valve Assembly | 1 | 2318 | 1604.E3 | Head | 4 |
| 1291 | 0903.02 | Piston Diaphragm, BUNA-N Optional | 4 | 2356 | 1605.42 | Manifold with 3/4" FNPT Port | 4 |
| *1300 | 0903.14 | Accumulator Diaphragm | 1 | 2465 | 1804.03 | Bolt | 6 |
| *1365 | 1101.01 | O-Ring | 8 | 2482 | 1804.09 | Bolt | 6 |
| 1366 | 1101.02 | O-Ring | 1 | 2486 | 1804.79 | Bolt | 16 |
| 1371 | 1101.L6 | O-Ring | 16 | 2487 | 1804.25 | Bolt | 16 |
| 1376 | 1101.16 | O-Ring | 1 | 2580 | 1805.01 | Bolt | 3 |
| 1379 | 1101.04 | O-Ring | 1 | 2589 | 1805.31 | Bolt | 2 |
| 1380 | 1101.25 | O-Ring | 1 | 5949 | 1804.72 | Bolt | 8 |
| 1382 | 1101.29 | O-Ring | 1 | 7747 | 1534.09 | Spacer | 1 |
| 1398 | 1101.42 | O-Ring | 1 | *8113 | 0903.34 | Piston Diaphragm, DESMOPAN Standard | 4 |
| 1399 | 1101.51 | O-Ring | 1 | 8143 | 0002.A9 | Crankshaft | 1 |
| 1401 | 1101.58 | O-Ring | 1 | | | | |

* Parts Included in Diaphragm Repair Kit - #8700.09 (Also available in BUNA-N - #8700.16)