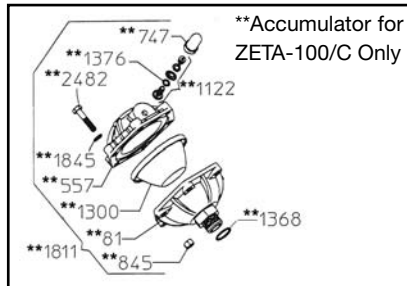


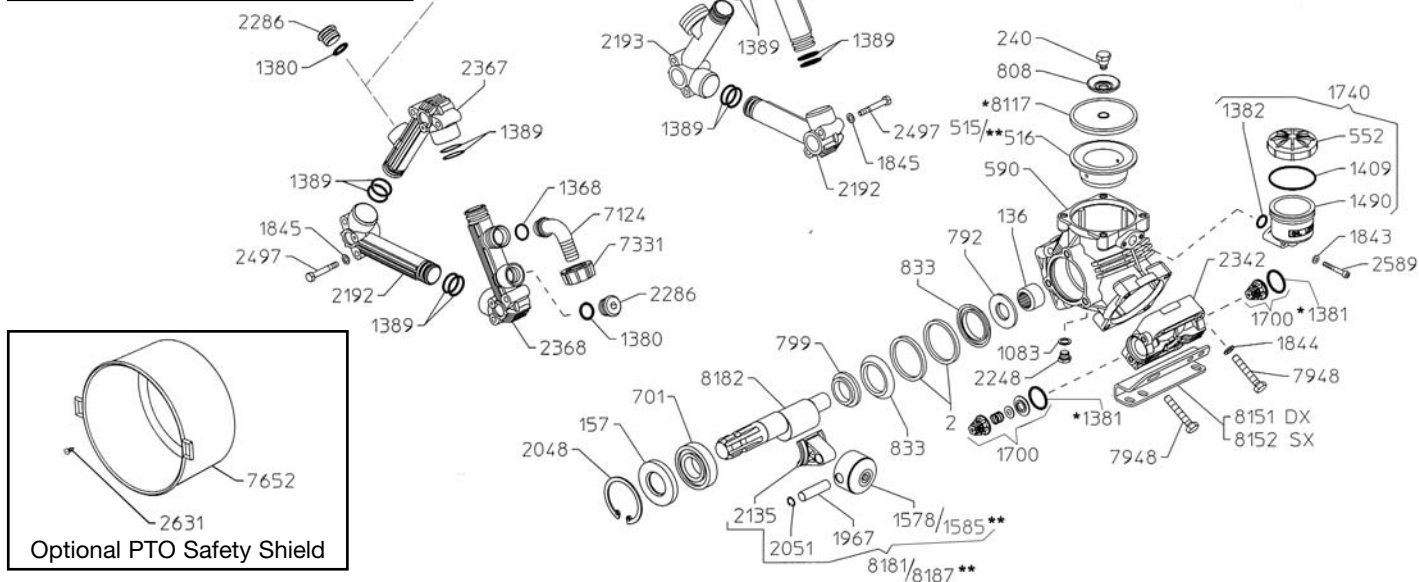


ZETA-85/C & ZETA-100/C

Exploded View Diagram and Parts List



**ZETA-85/C &
ZETA-100/C PUMPS**
Require **23 oz.**
UDOR LUBE,
or SAE 30W
Non-detergent Oil



REF#	PART#	DESCRIPTION	QTY	REF#	PART#	DESCRIPTION	QTY
	2	Retainer Ring	2	**1585	02-1205.43	Piston (ZETA-100)	3
**81	02-0003.15	Accumulator Bottom (ZETA-100)	1	1700	02-6006.34	Valve Assembly	6
136	02-0006.07	Bearing	1	1740	02-6033.01	Oil Reservoir Assembly	1
157	02-0007.05	Seal	1	**1811	02-6031.09	Accumulator Assembly (ZETA-100)	1
240	02-0102.04	Diaphragm Bolt	3	1843	02-1403.07	Washer	2
375	02-0202.78	Suction Elbow	1	1844	02-1403.09	Washer	12
515	02-0206.44	Piston Sleeve (ZETA-85)	3	1845	02-1403.10	Washer	18
**516	02-0206.45	Piston Sleeve (ZETA-100)	3	1967	02-1502.07	Connecting Rod Pin	3
552	02-0208.07	Oil Cap	1	2048	02-1506.07	Snap Ring	1
**557	02-0208.20	Accumulator Cover (ZETA-100)	1	2051	02-1506.15	Snap Ring	6
590	02-0209.76	Crankcase	1	2135	02-1519.30	Connecting Rod	3
701	02-0214.05	Bearing	1	2192	02-1601.25	Manifold Tube	3
**747	02-0218.01	Air Valve Cap (ZETA-100)	1	2193	02-1601.26	Intake Manifold Tube	1
792	02-0301.12	Spacer	1	2248	02-1603.67	Oil Plug	1
799	02-0301.24	Washer	1	2286	02-1603.87	Discharge Manifold Plug	2
808	02-0301.43	Diaphragm Washer	3	2342	02-1604.94	Head	3
833	02-0302.52	Rod Spacer	2	2367	02-1605.28	Discharge Manifold Tube	1
**845	02-0303.01	Nut	6	2368	02-1605.29	Discharge Manifold Tube	1
1055	02-0604.50	Barb Nut	1	**2482	02-1804.09	Bolt	6
1083	02-0605.49	Plug Gasket	1	2497	02-1804.10	Bolt	12
**1122	02-0608.15	Air Valve Assembly	1	2589	02-1805.31	Bolt	2
**1300	02-0903.14	Accumulator Diaphragm (ZETA-100)	1	2631	02-1808.09	Screw	3
1368	02-1101.04	O-Ring	2	7124	02-0253.05	Discharge Elbow	1
**1376	02-1101.16	O-Ring	1	7331	02-0604.36	Barb Nut	1
1380	02-1101.25	O-Ring	2	7652	02-1219.25	PTO Safety Shield (Optional)	1
*1381	02-1101.27	O-Ring	6	7948	02-1804.45	Bolt	12
1382	02-1101.29	O-Ring	1	*8117	02-0903.38	Piston Diaphragm (DESMOPAN)	3
1389	02-1101.41	O-Ring	12	8151	02-1202.63	Mounting Rail - Right Side	1
1398	02-1101.42	O-Ring	1	8152	02-1202.64	Mounting Rail - Left Side	1
1409	02-1101.68	O-Ring	1	8181	02-6015.49	Piston & Rod Assembly (ZETA-85)	3
1490	02-1203.27	Oil Reservoir	1	8182	02-0002.C3	Crankshaft, 1C	1
1578	02-1205.18	Piston (ZETA-85)	3	**8187	02-6015.49	Piston & Rod Assembly (ZETA-100)	3

* Parts Included in Diaphragm Repair Kit - #02-8700.60. ** Parts for ZETA-100/C Only.

ZETA-85/C & 100/C



ZETA-85/C & ZETA-100/C

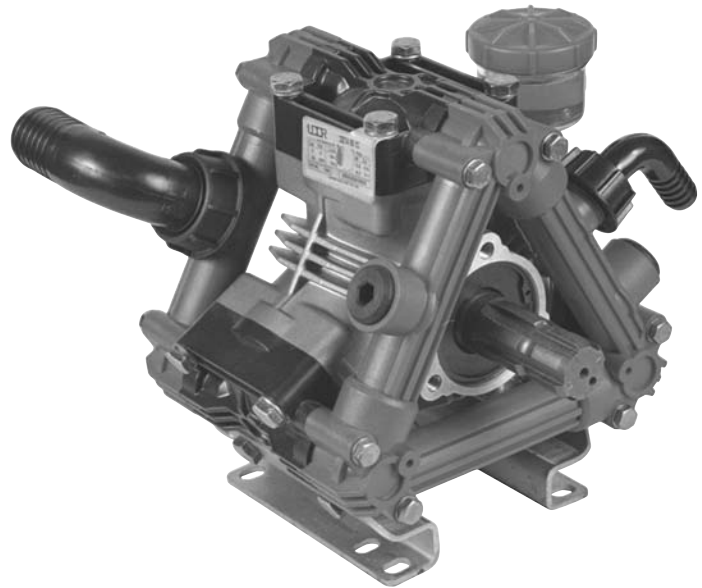
Low Pressure Diaphragm Pumps

ZETA-85/C and ZETA-100/C low pressure, 3-cylinder diaphragm pumps are excellent for various horticultural and agricultural spraying applications.

Simplicity of design and common parts allow easy and affordable maintenance. 1-3/8" male six-spline PTO shaft is standard. ZETA-100/C includes pulsation dampner.

ZETA-85/C and ZETA-100/C pumps have anodized aluminum bodies, coated aluminum heads and glass-filled nylon manifolds.

For industrial uses and spraying applications not listed, please consult UDOR U.S.A.



SPECIFICATIONS

Maximum Flow	
ZETA-85/C	22 GPM
ZETA-100/C	25 GPM
Maximum Pressure.....	300 PSI
Maximum RPM	540 RPM
Maximum Temperature	140°F
Inlet Port (Hose Barb)	1-1/2"
Outlet Port (Hose Barb)	3/4"
Dimensions	L-10.5" x W-11" x H-12"
Weight	
ZETA-85/C.....	32 lbs.
ZETA-100/C.....	34 lbs.
Diaphragm Material.....	DESMOPAN

NOTE - Protect pumps from freezing. If freezing conditions exist, flush pump and system with a 50/50 mixture of antifreeze and water.