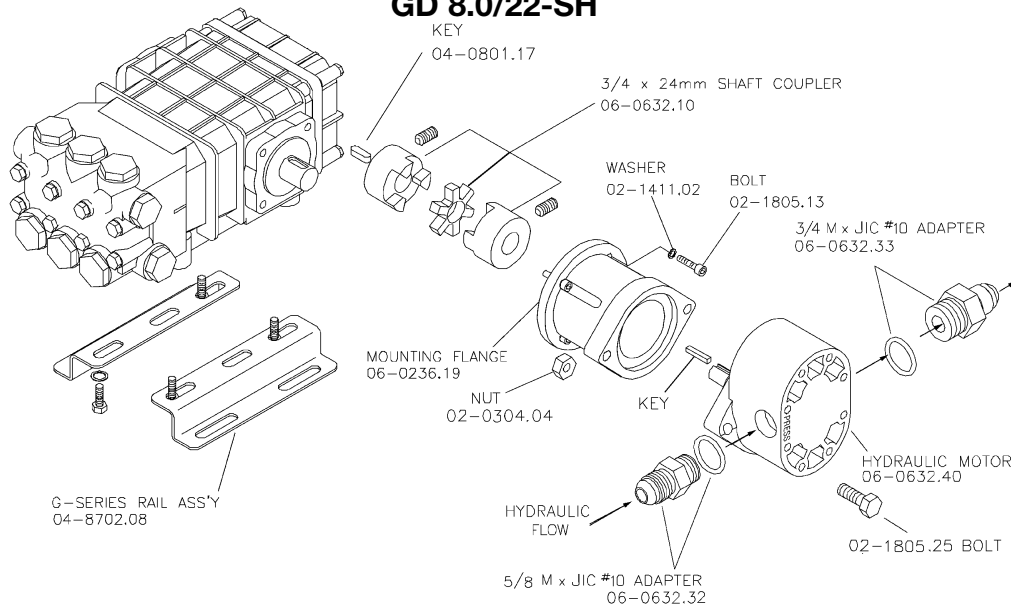


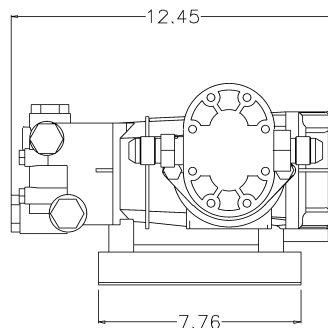
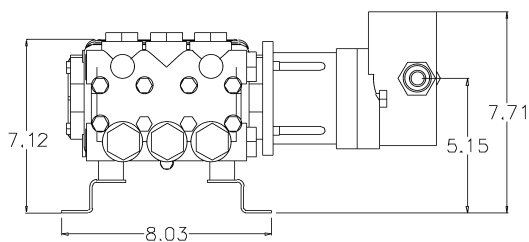
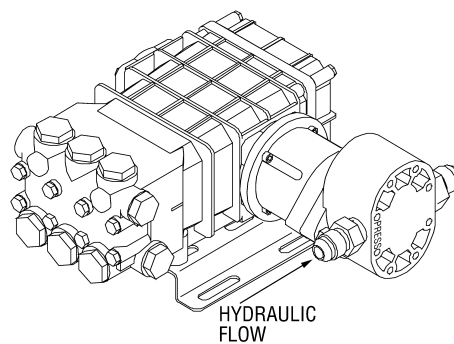
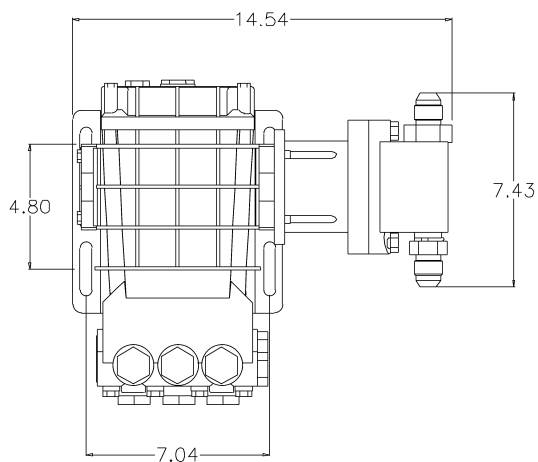


G-SERIES HYDRAULIC DRIVE PLUNGER PUMPS

**GD 5.5/30-SH
GD 7.0/22-SH
GD 8.0/22-SH**



**GD 5.5/30-SH
GD 7.0/22-SH
GD 8.0/22-SH**



DRIVE COMPONENTS

Revised 10-1-2005