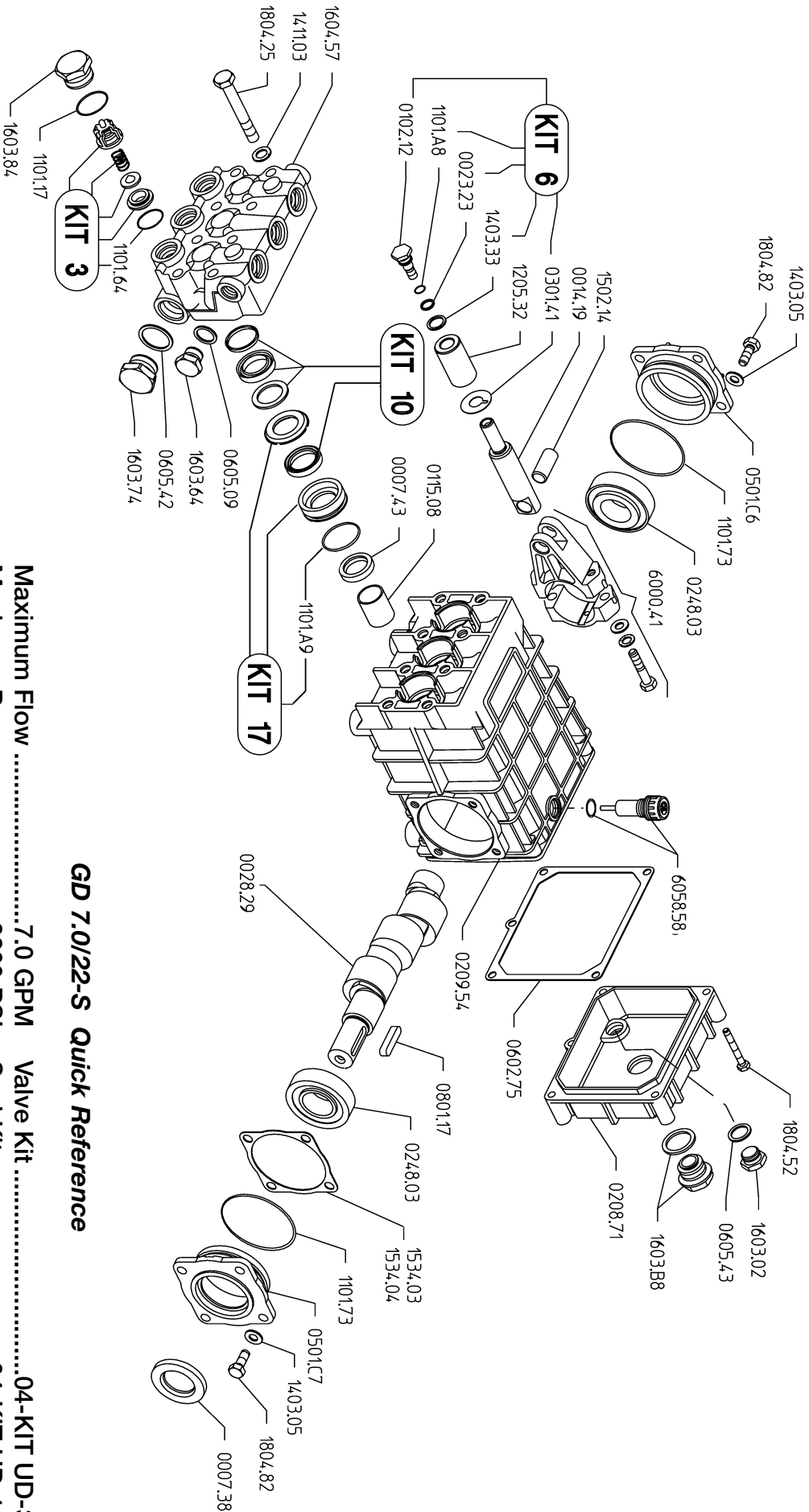
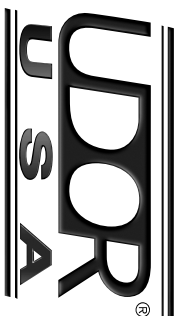


# GD 7.0/22-S



## GD 7.0/22-S Quick Reference

Maximum Flow .....	7.0 GPM	Valve Kit .....	04-KIT UD-3
Maximum Pressure .....	2200 PSI	Seal Kit .....	04-KIT UD-10
Rated Pump Speed .....	1750 RPM	Brass Kit .....	04-KIT UD-17
Oil Capacity .....	40 oz. UDOR LUBE or SAE 30W	Plunger Bolt Kit .....	04-KIT UD-6
		Plunger Part # .....	04-1205.32
		Plunger Diameter .....	22 MM
		Non-Detergent Oil	