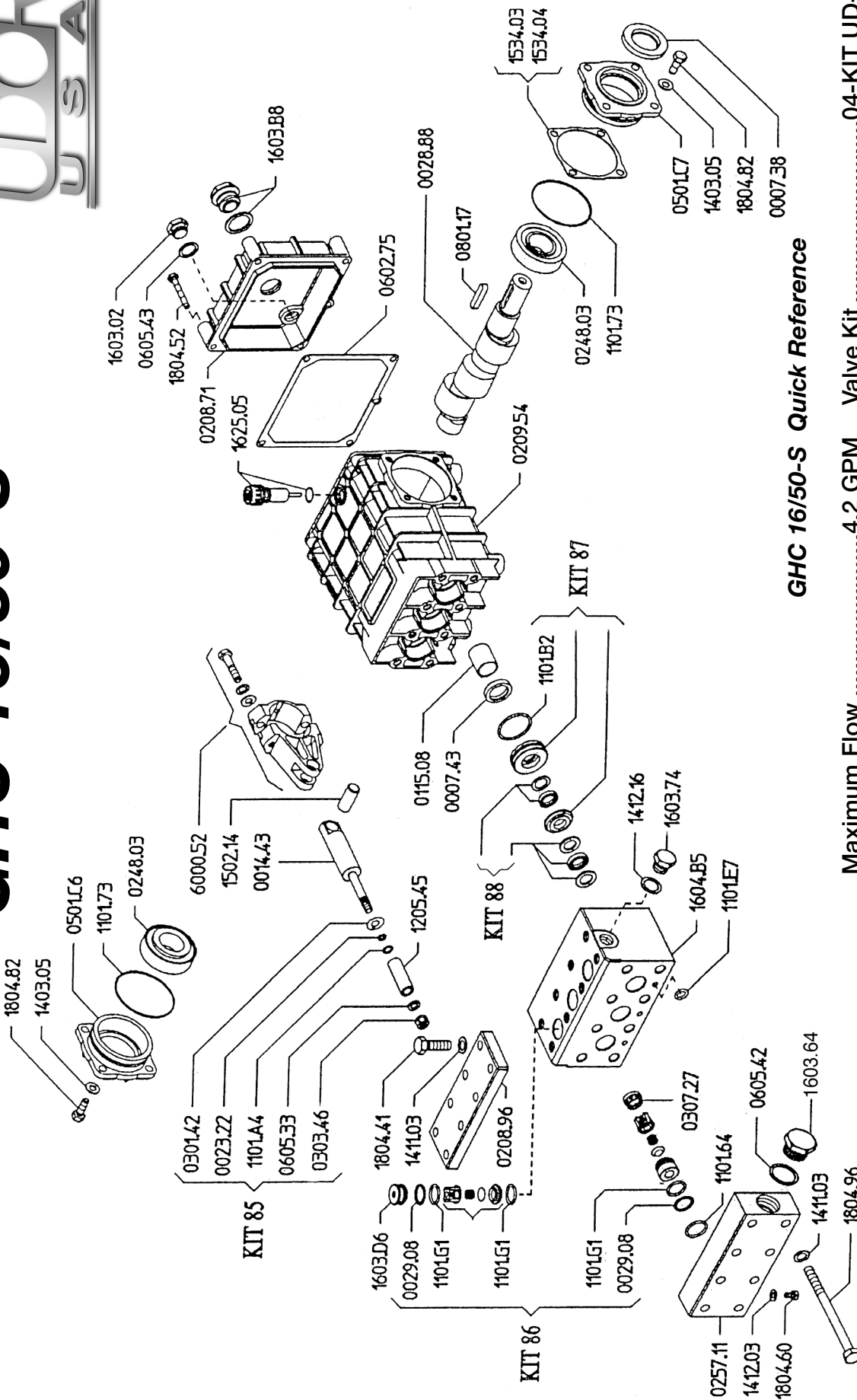


Revised 10-1-2005

GHC 16/50-S



GHC 16/50-S Quick Reference

Maximum Flow	4.2 GPM	Valve Kit	04-KIT UD-86
Maximum Pressure	7300 PSI	Seal Kit	04-KIT UD-88
Rated Pump Speed	1450 RPM	Brass Kit	04-KIT UD-87
Oil Capacity	40 oz. UDOR LUBE or SAE 30W	Plunger Bolt Kit	04-KIT UD-85
	Non-Detergent Oil	Plunger Part #	04-1205.45
		Plunger Diameter	15 MM

GHC 16/50-S