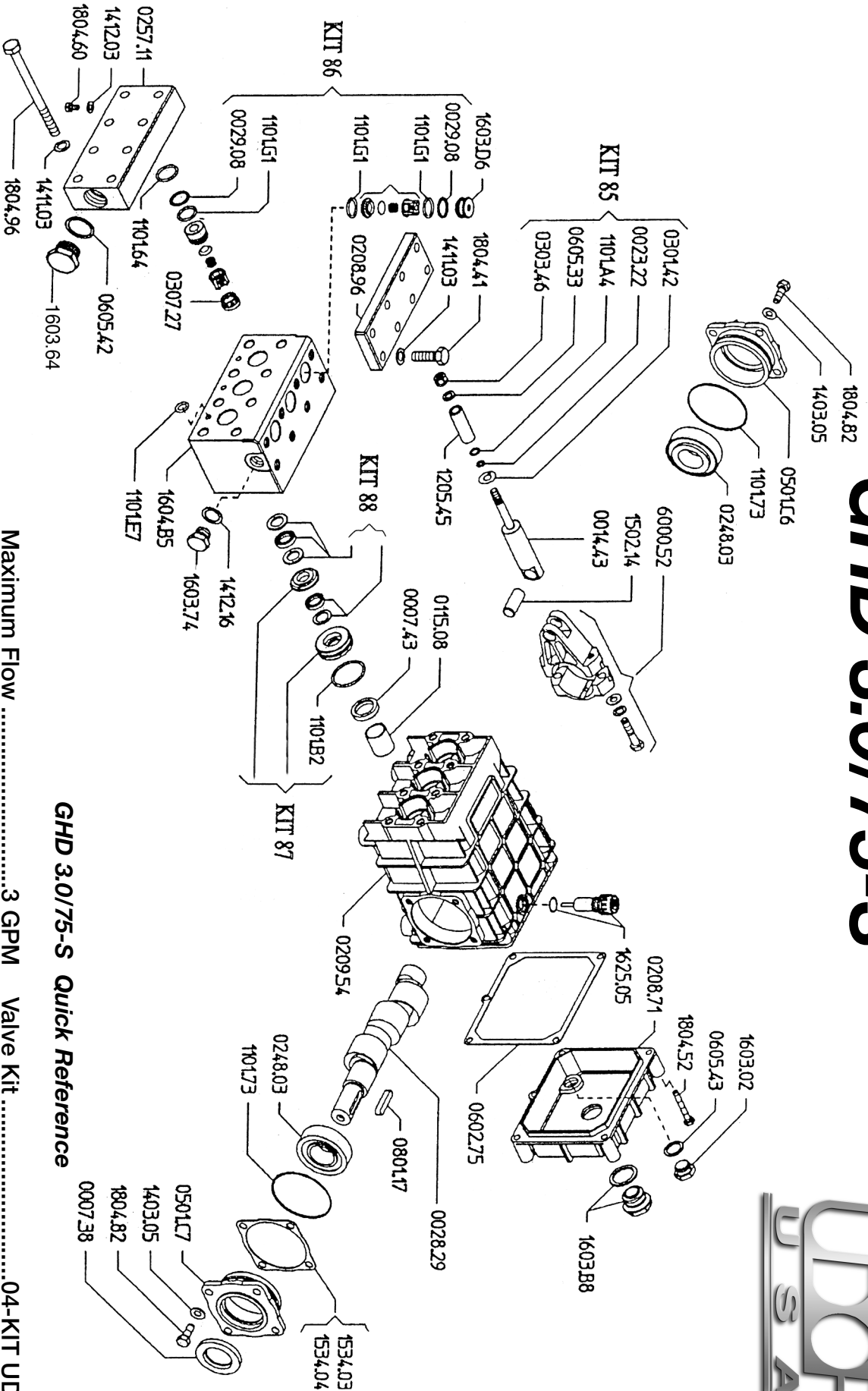


Revised 10-1-2005

# GHD 3.0/75-S



## GHD 3.0/75-S Quick Reference

Maximum Flow .....	3 GPM	Valve Kit .....	04-KIT UD-86
Maximum Pressure .....	7300 PSI	Seal Kit .....	04-KIT UD-88
Rated Pump Speed .....	1750 RPM	Brass Kit .....	04-KIT UD-87
Oil Capacity .....	40 oz. UDOR LUBE or SAE 30W	Plunger Bolt Kit .....	04-KIT UD-85
		Plunger Part # .....	04-1205.45
		Plunger Diameter .....	15 MM
		Non-Detergent Oil	