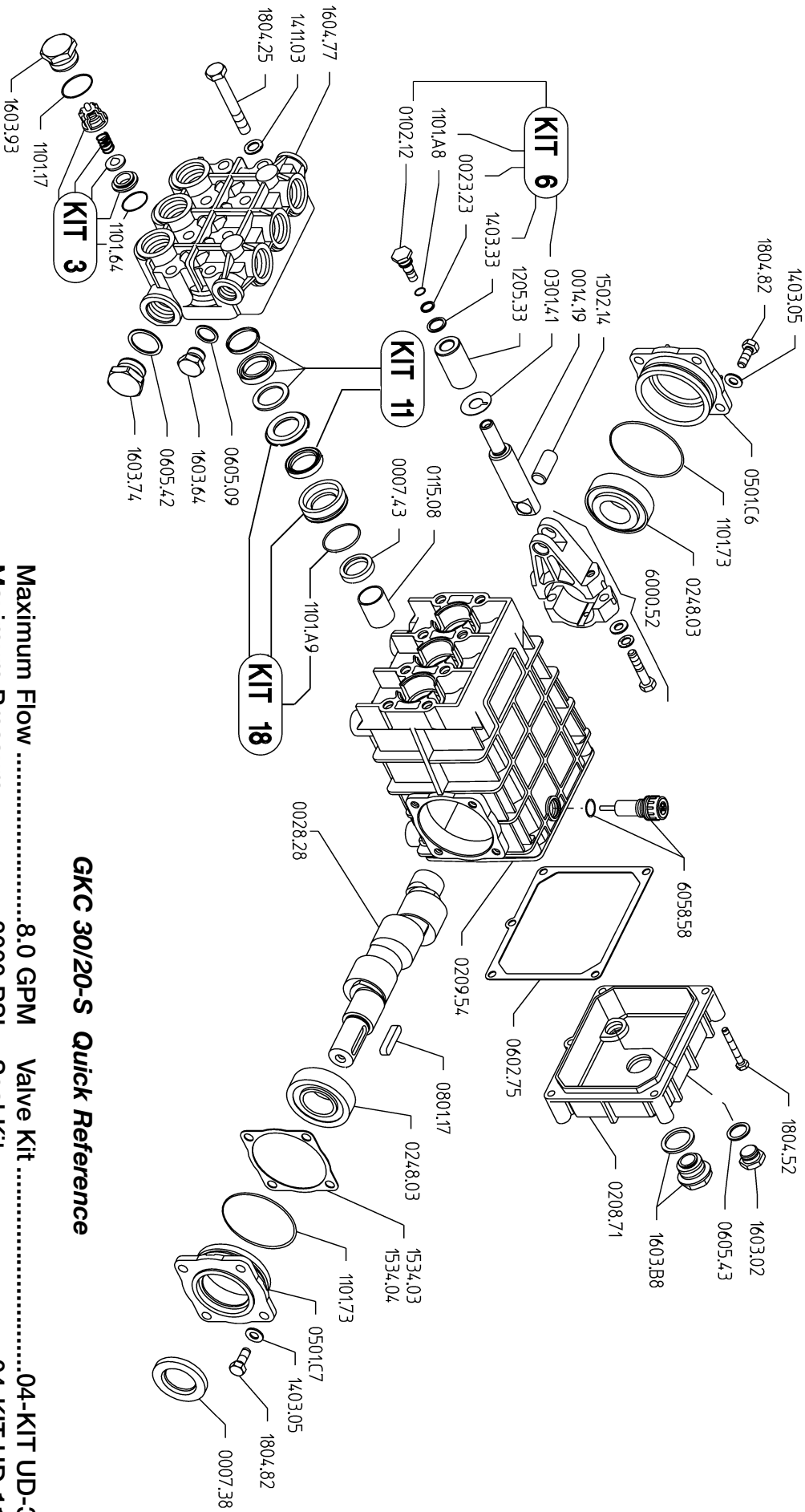


GKC 30/20-S



GKC 30/20-S Quick Reference

| | | | |
|------------------------|--------------------------------|------------------------|--------------|
| Maximum Flow | 8.0 GPM | Valve Kit | 04-KIT UD-3 |
| Maximum Pressure | 3000 PSI | Seal Kit | 04-KIT UD-11 |
| Rated Pump Speed | 1450 RPM | Brass Kit | 04-KIT UD-18 |
| Oil Capacity | 40 oz. UDOR LUBE or SAE 30W | Plunger Bolt Kit | 04-KIT UD-6 |
| | | Plunger Part # | 04-1205.33 |
| | | Plunger Diameter | 25 MM |

Non-Detergent Oil