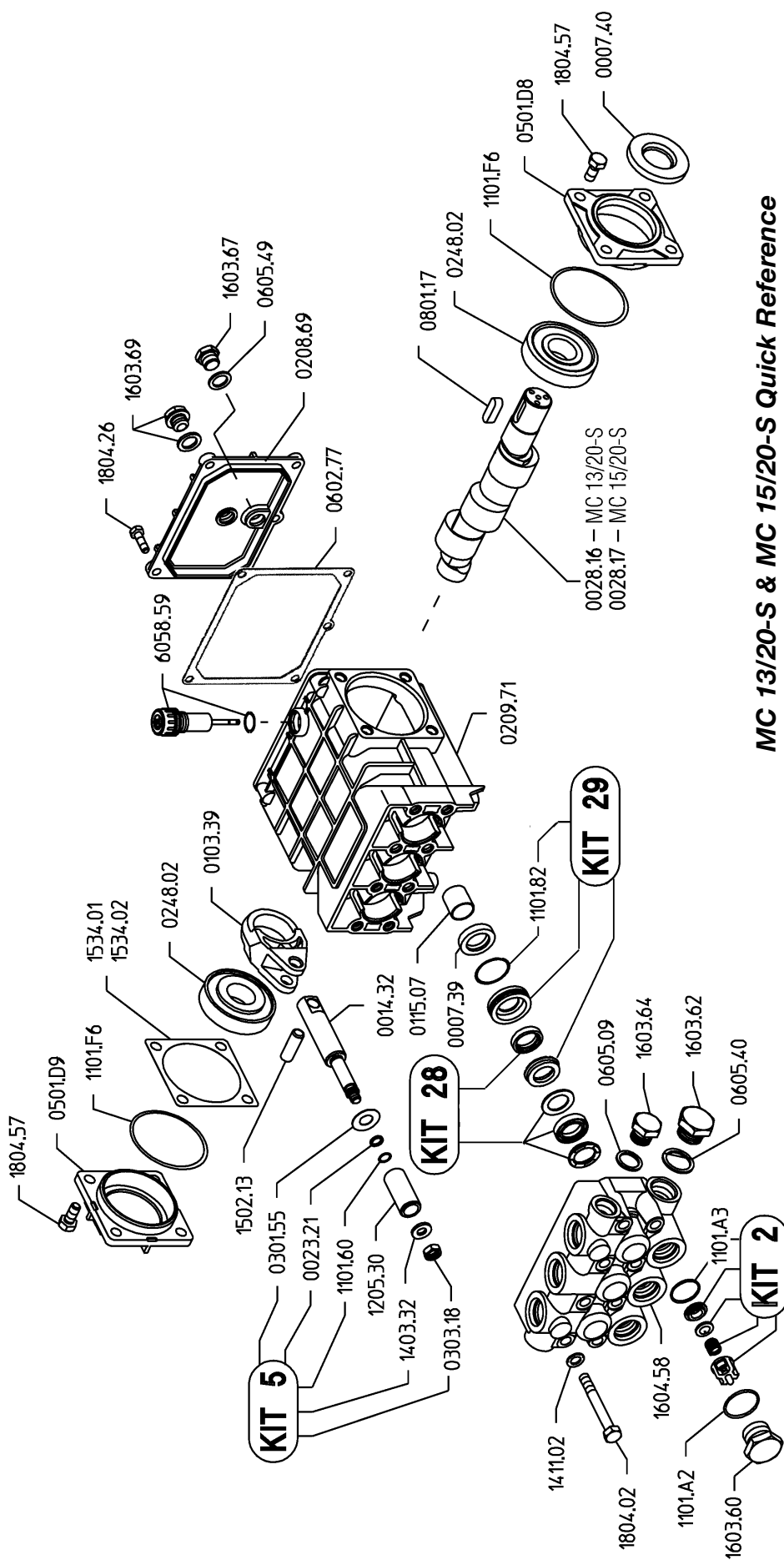
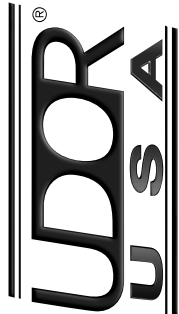


MC 13/20-S & MC 15/20-S

Revised 10-1-2005



MC 13/20-S & MC 15/20-S Quick Reference

Max. Flow	MC 13/20-S3.5 GPM	Valve Kit	04-KIT UD-2
	MC 15/20-S4.0 GPM	Seal Kit.....	04-KIT UD-28
Maximum Pressure3000 PSI	Brass Kit	04-KIT UD-29
Rated Pump Speed1450 RPM	Plunger Bolt Kit	04-KIT UD-5
Oil Capacity20 oz. UDOR LUBE	Plunger Part #	04-1205.30
	or SAE 30W Non-Detergent Oil	Plunger Diameter.....18 MM

MC 13/20-S
MC 15/20-S