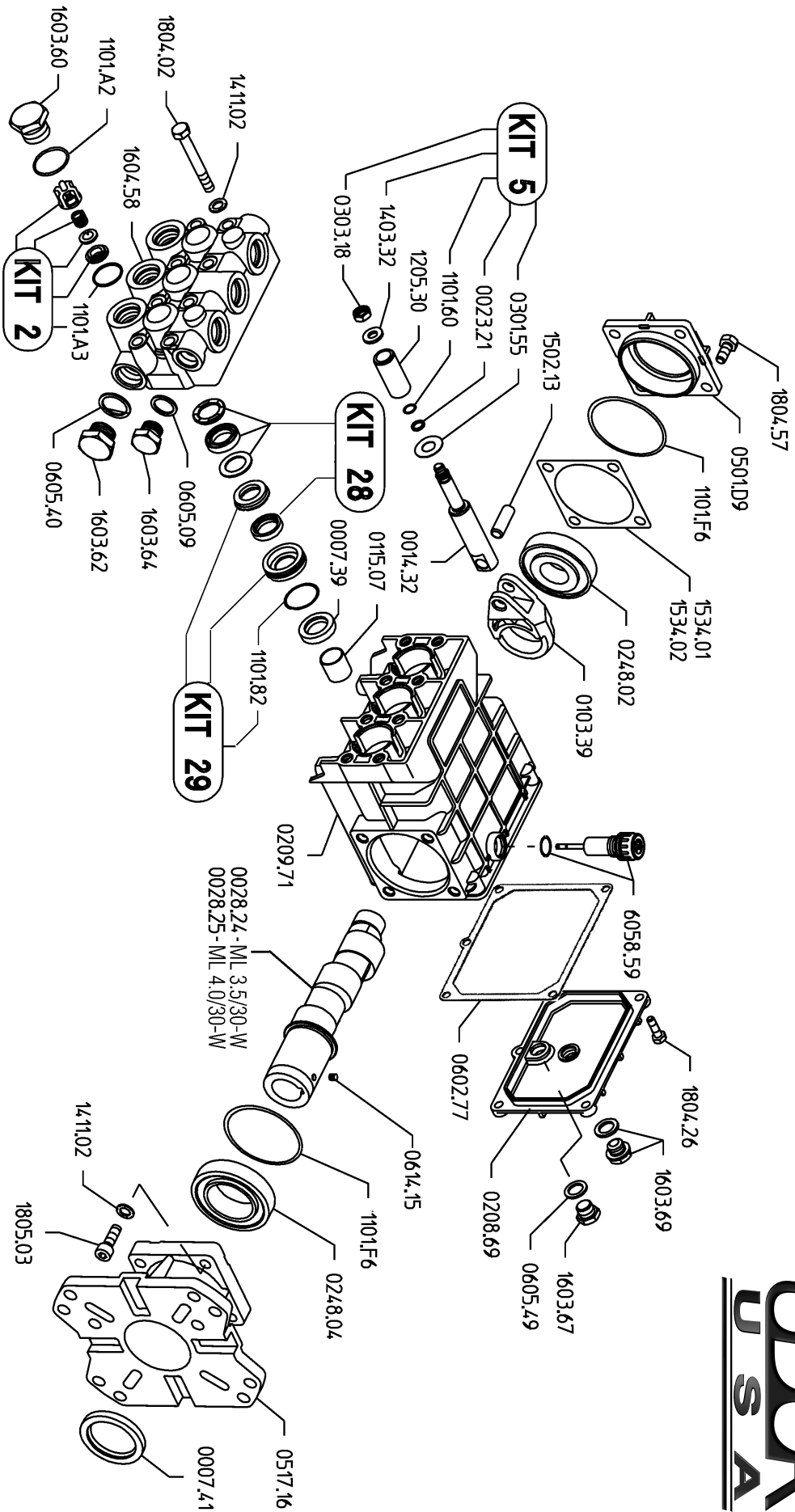
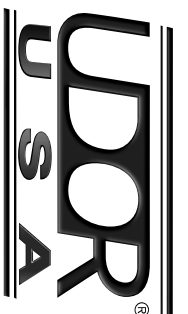


ML 3.5/30-W & ML 4.0/30-W



ML 3.5/30-W & ML 4.0/30-W Quick Reference

Max. Flow	ML 3.5/30-W.....3.5 GPM	Valve Kit.....04-KIT UD-2
	ML 4.0/30-W.....4.0 GPM	Seal Kit.....04-KIT UD-28
Maximum Pressure3000 PSI	Brass Kit.....04-KIT UD-29
Rated Pump Speed3400 RPM	Plunger Bolt Kit.....04-KIT UD-5
Oil Capacity20 oz. UDOR LUBE	Plunger Part #.....04-1205.30
	or SAE 30W Non-Detergent Oil	Plunger Diameter.....18 MM

ML 3.5/30-W
ML 4.0/30-W