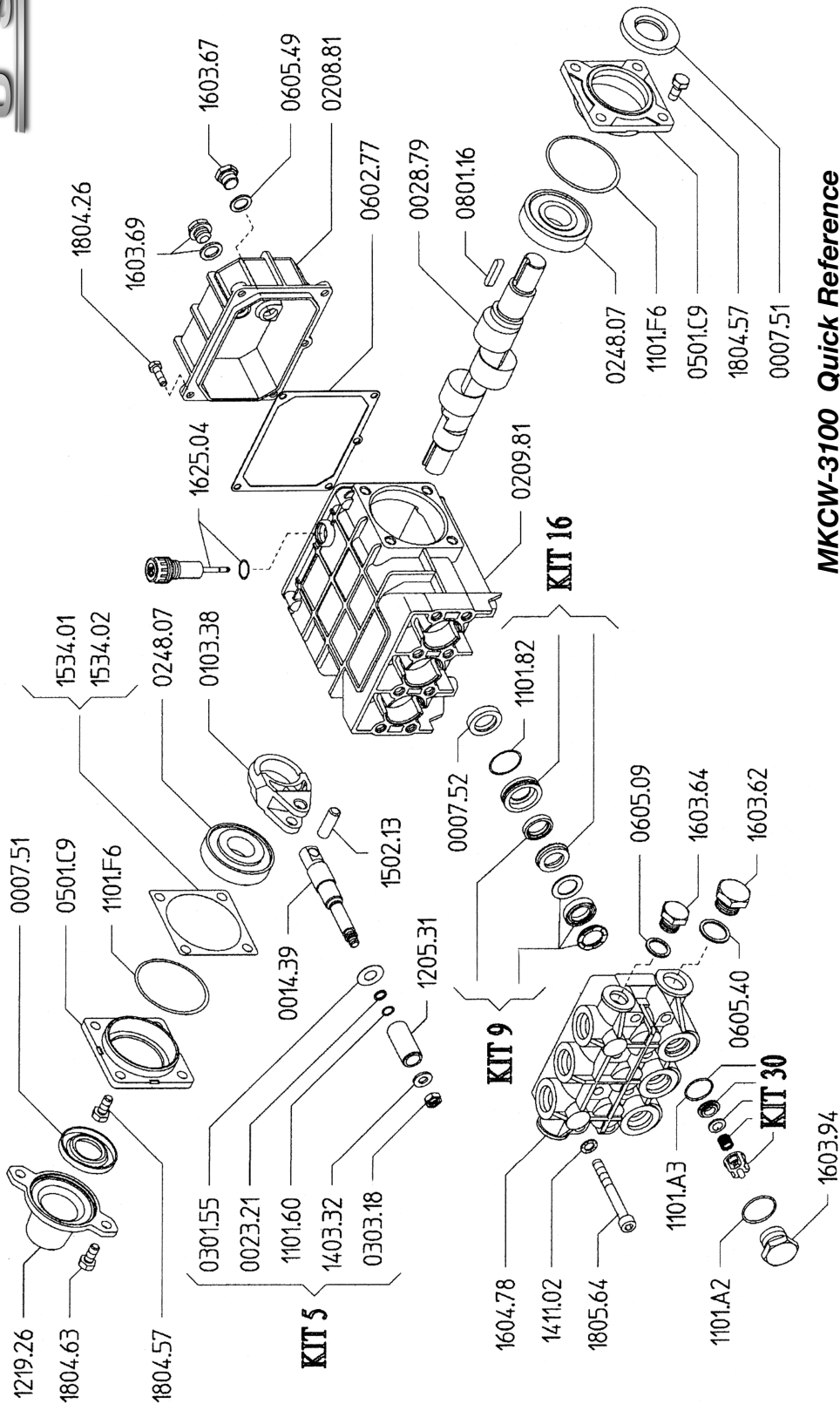


Revised 10-1-2005

# MKCW 3100



### MKCW-3100 Quick Reference

Maximum Flow .....	4.0 GPM	Valve Kit .....	04-KIT UD-30
Maximum Pressure .....	2000 PSI	Seal Kit .....	04-KIT UD-9
Rated Pump Speed .....	950 RPM	Brass Kit .....	04-KIT UD-16
Oil Capacity .....	28 oz. UDOR LUBE or SAE 30W	Plunger Bolt Kit .....	04-KIT UD-5
	Non-Detergent Oil	Plunger Part # .....	04-1205.31
		Plunger Diameter .....	20 MM