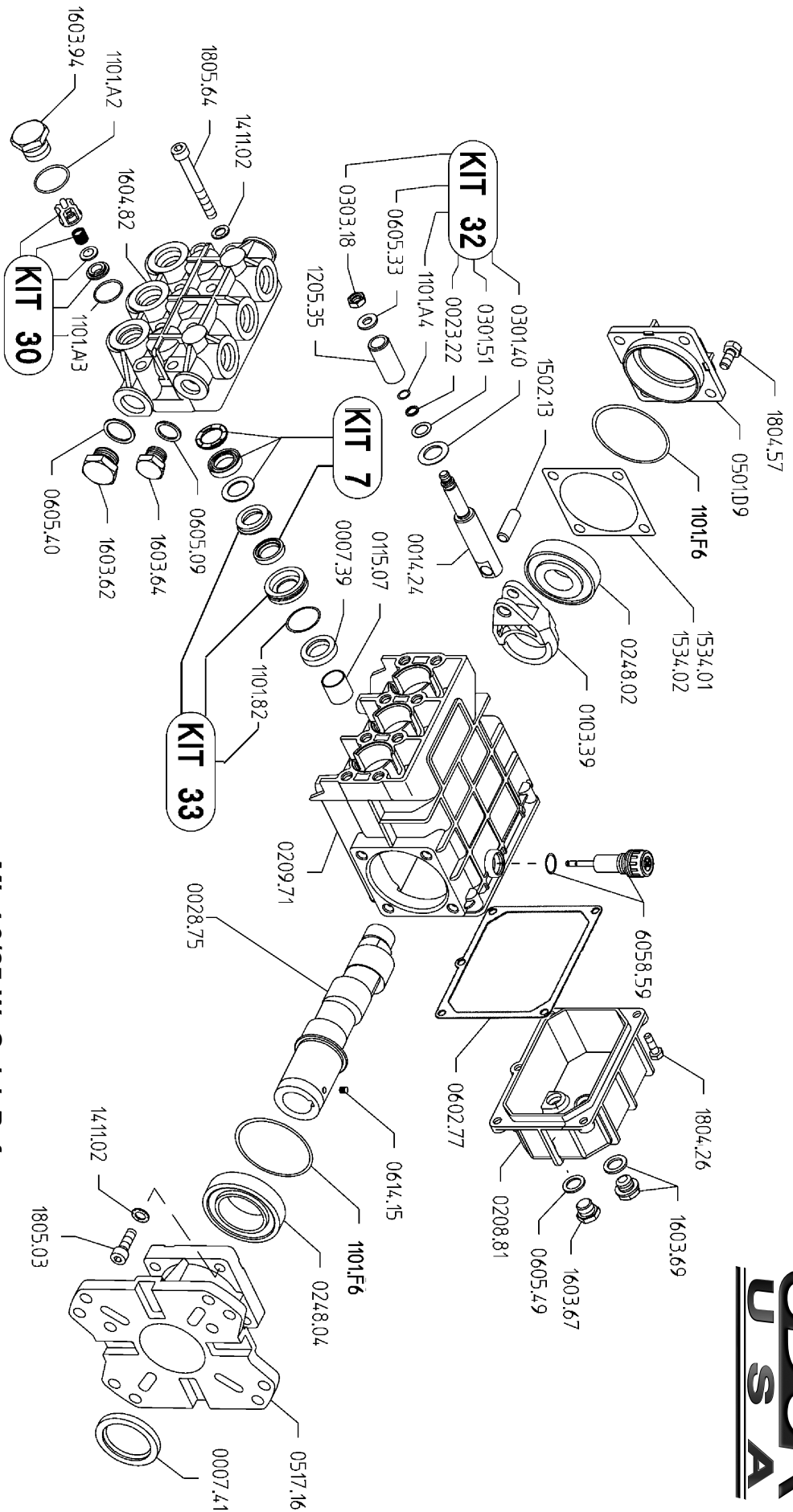
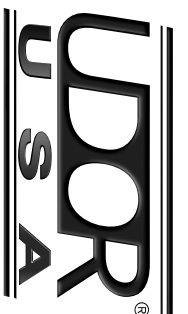


ML 4.0/35-W



ML 4.0/35-W Quick Reference

Maximum Flow	4.0 GPM	Valve Kit	04-KIT UD-30
Maximum Pressure	3500 PSI	Seal Kit	04-KIT UD-7
Rated Pump Speed	3400 RPM	Brass Kit	04-KIT UD-33
Oil Capacity	28 oz. UDOR LUBE or SAE 30W	Plunger Bolt Kit	04-KIT UD-32
		Plunger Part #	04-1205.35
		Plunger Diameter	15 MM

ML 4.0/35-W