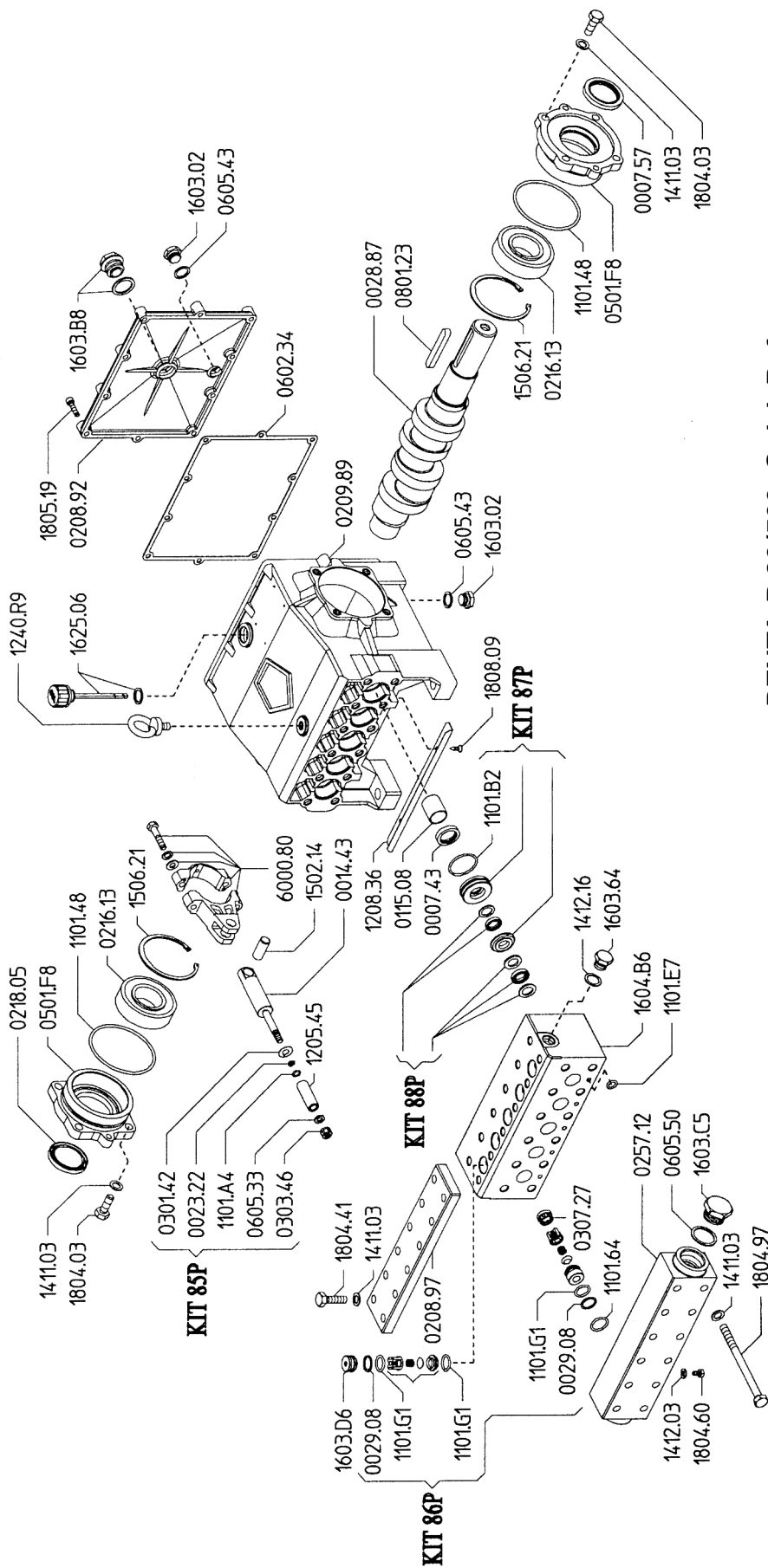


Revised 10-1-2005

PENTA-B 20/500



PENTA-B 20/500 Quick Reference

Maximum Flow	5 GPM	Valve Kit.....	04-KIT UD-86P
Maximum Pressure	7300 PSI	Seal Kit	04-KIT UD-88P
Rated Pump Speed	1000 RPM	Brass Kit	04-KIT UD-87P
Oil Capacity.....	80 oz. UDOR LUBE or SAE 30W	Plunger Bolt Kit.....	04-KIT UD-85P
	Non-Detergent Oil	Plunger Part #	04-1205.45
		Plunger Diameter.....	15 MM

PENTA-B 20/500