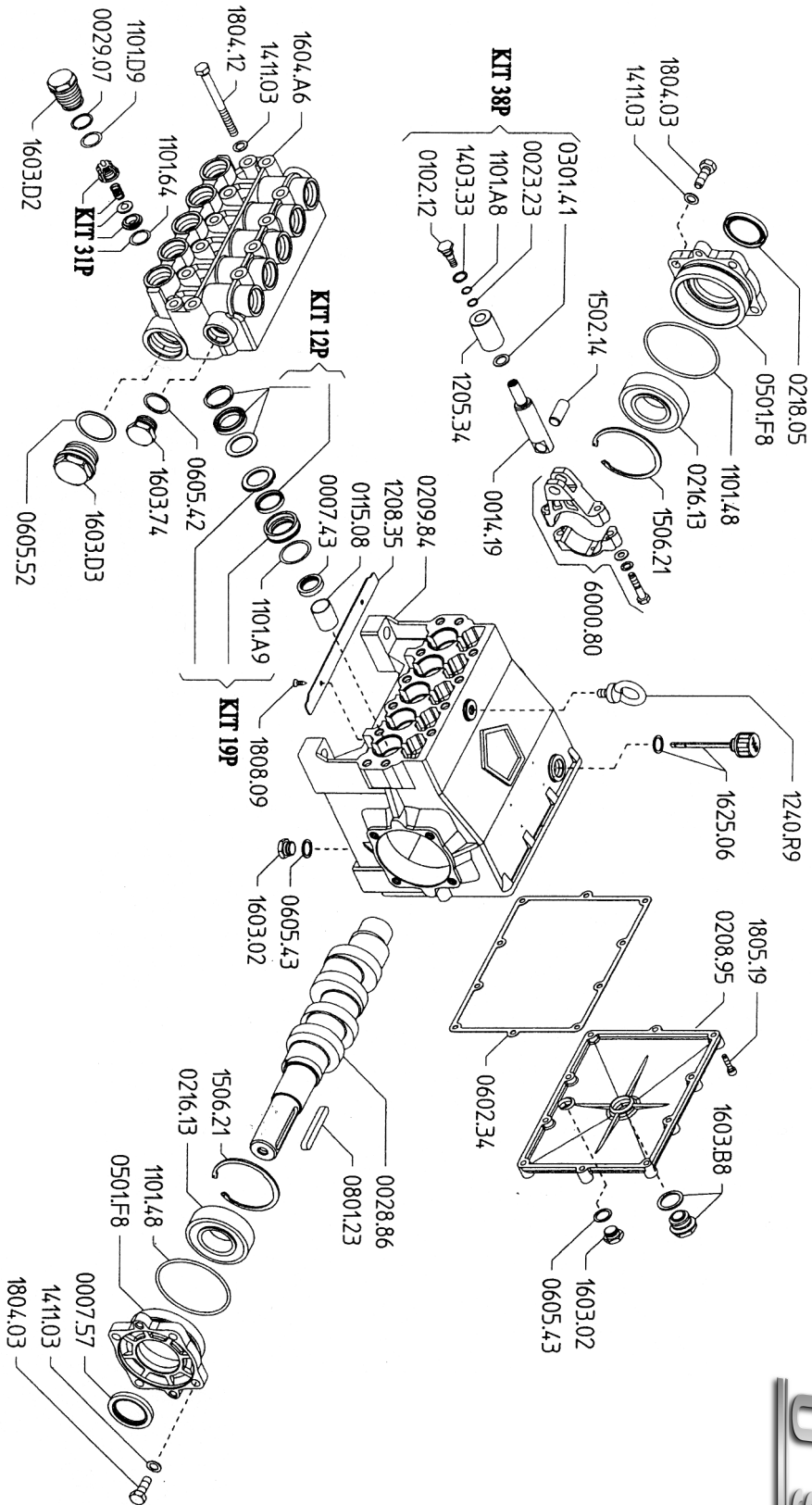


# PENTA-C 70/200



**PENTA-C 70/200 Quick Reference**

|                        |                                |                        |               |
|------------------------|--------------------------------|------------------------|---------------|
| Maximum Flow .....     | 18 GPM                         | Valve Kit .....        | 04-KIT UD-31P |
| Maximum Pressure ..... | 3000 PSI                       | Seal Kit .....         | 04-KIT UD-12P |
| Rated Pump Speed ..... | 1450 RPM                       | Brass Kit .....        | 04-KIT UD-19P |
| Oil Capacity .....     | 80 oz. UDOR LUBE<br>or SAE 30W | Plunger Bolt Kit ..... | 04-KIT UD-38P |
|                        | Non-Detergent Oil              | Plunger Part # .....   | 04-1205.34    |
|                        |                                | Plunger Diameter ..... | 28 MM         |