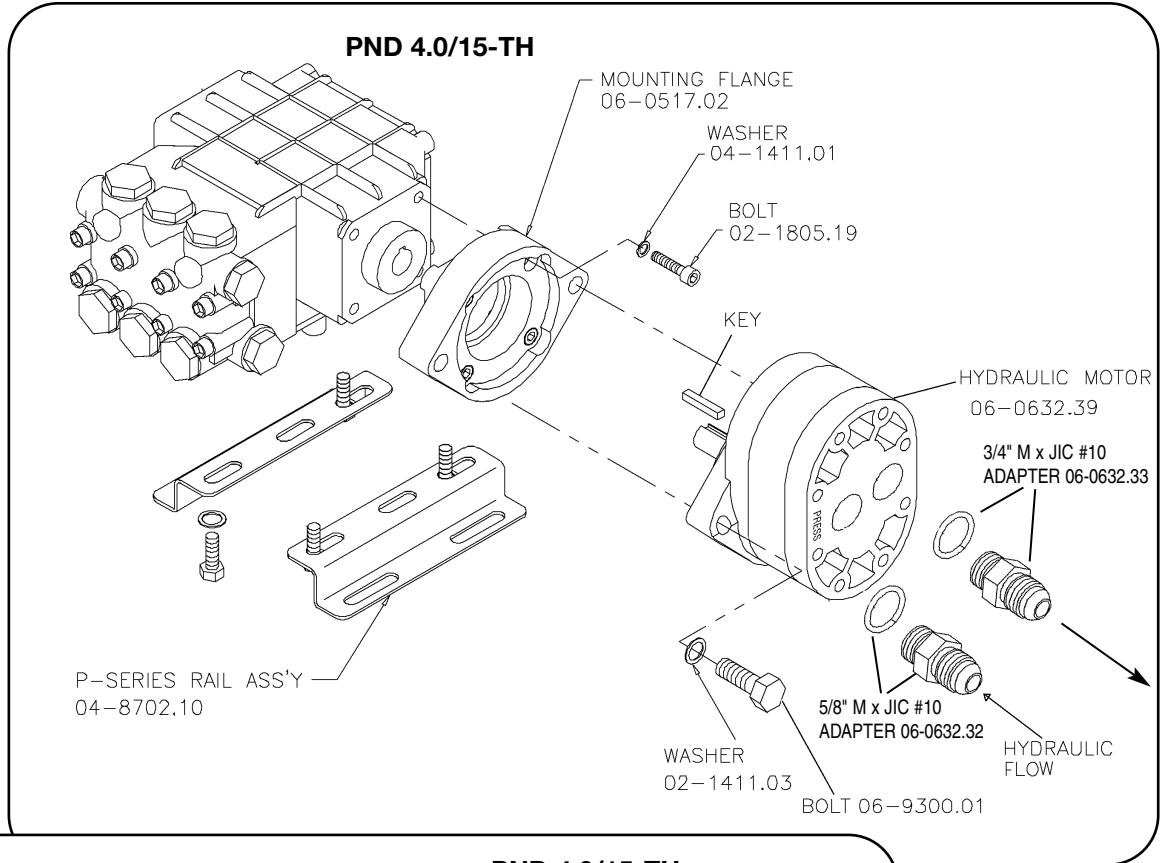
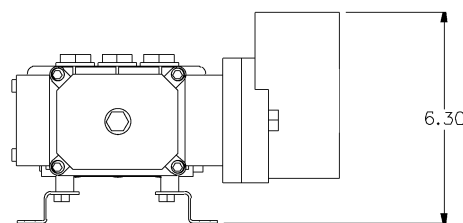
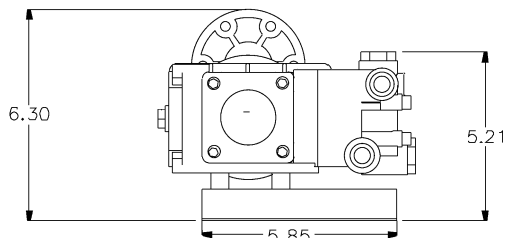
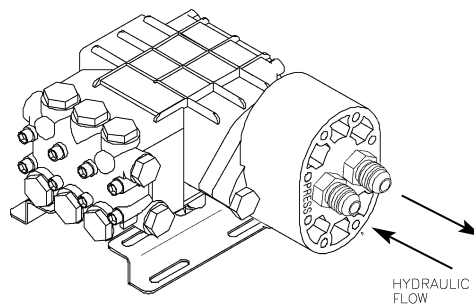
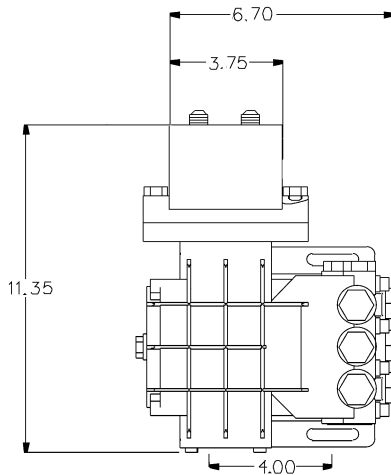




# P-SERIES HYDRAULIC DRIVE PLUNGER PUMPS



**PND 4.0/15-TH**



Revised 10-1-2005

DRIVE COMPONENTS