

SPARE PARTS LIST

for

Infrared gas heater

Model

VAL6

Type

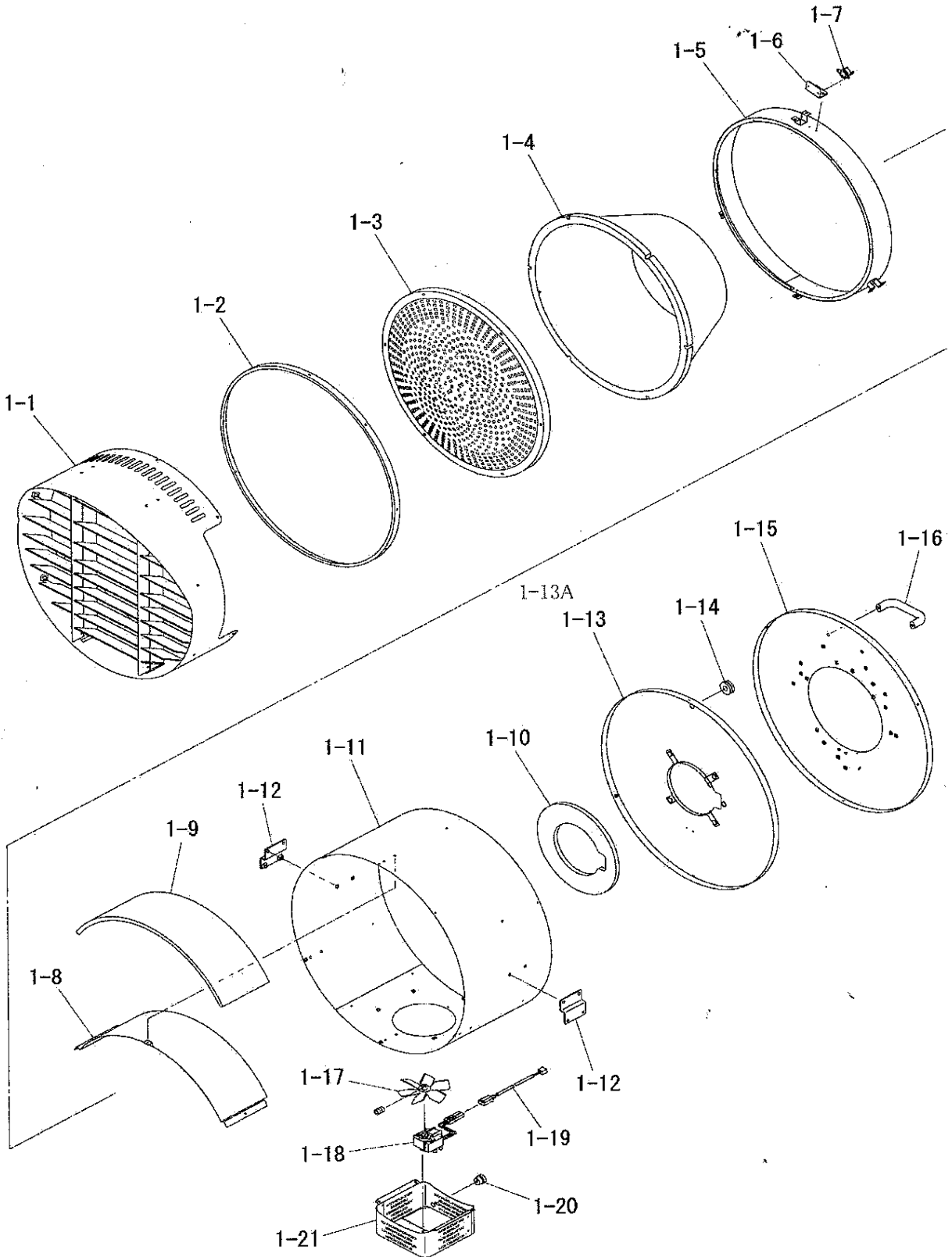
◆ GN5/GP5 for 120V 60Hz

October 2016

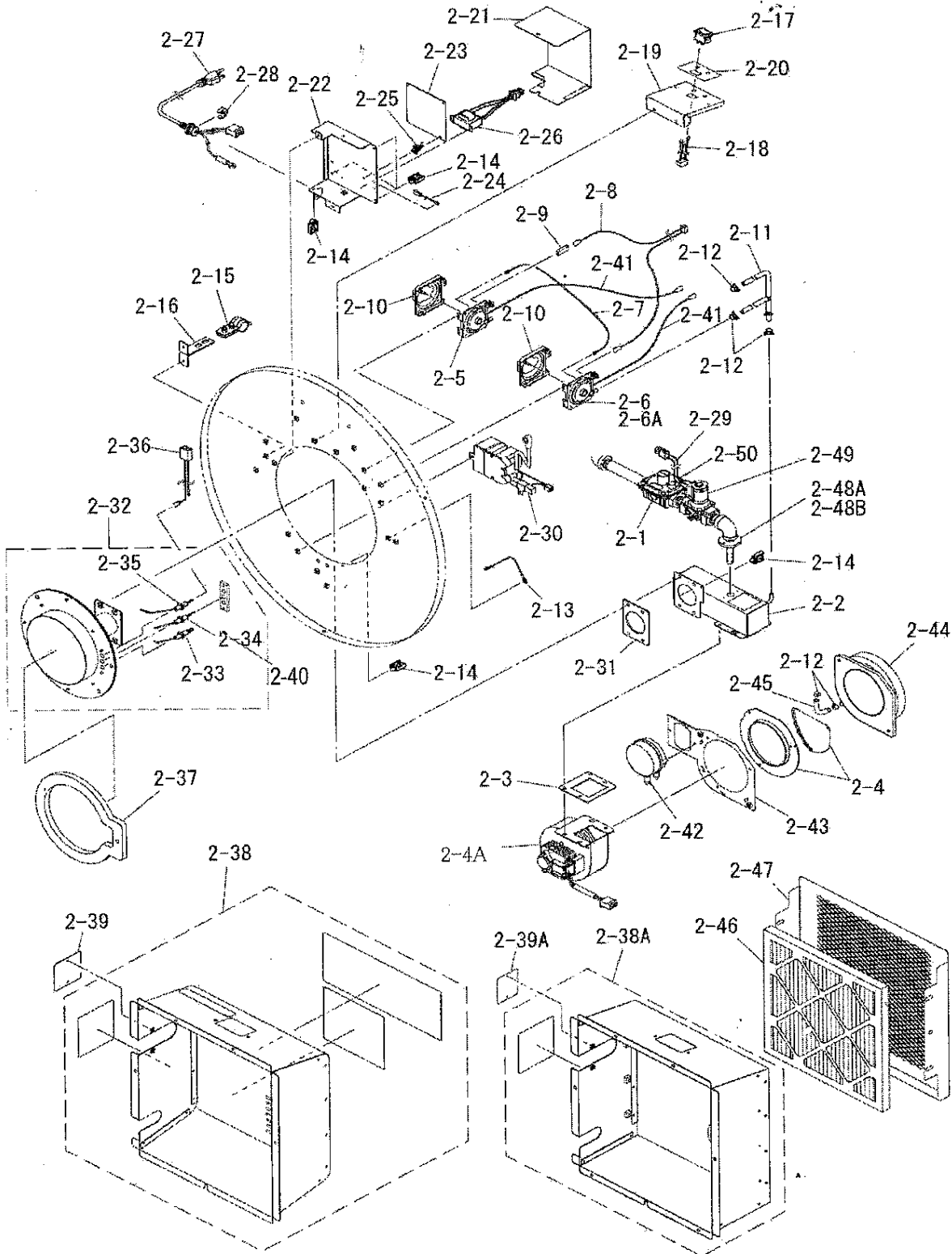
Shizuoka Seiki Co., Ltd.

* PRICES AND SPECIFICATIONS ARE SUBJECT TO CHANGE WITHOUT NOTICE*

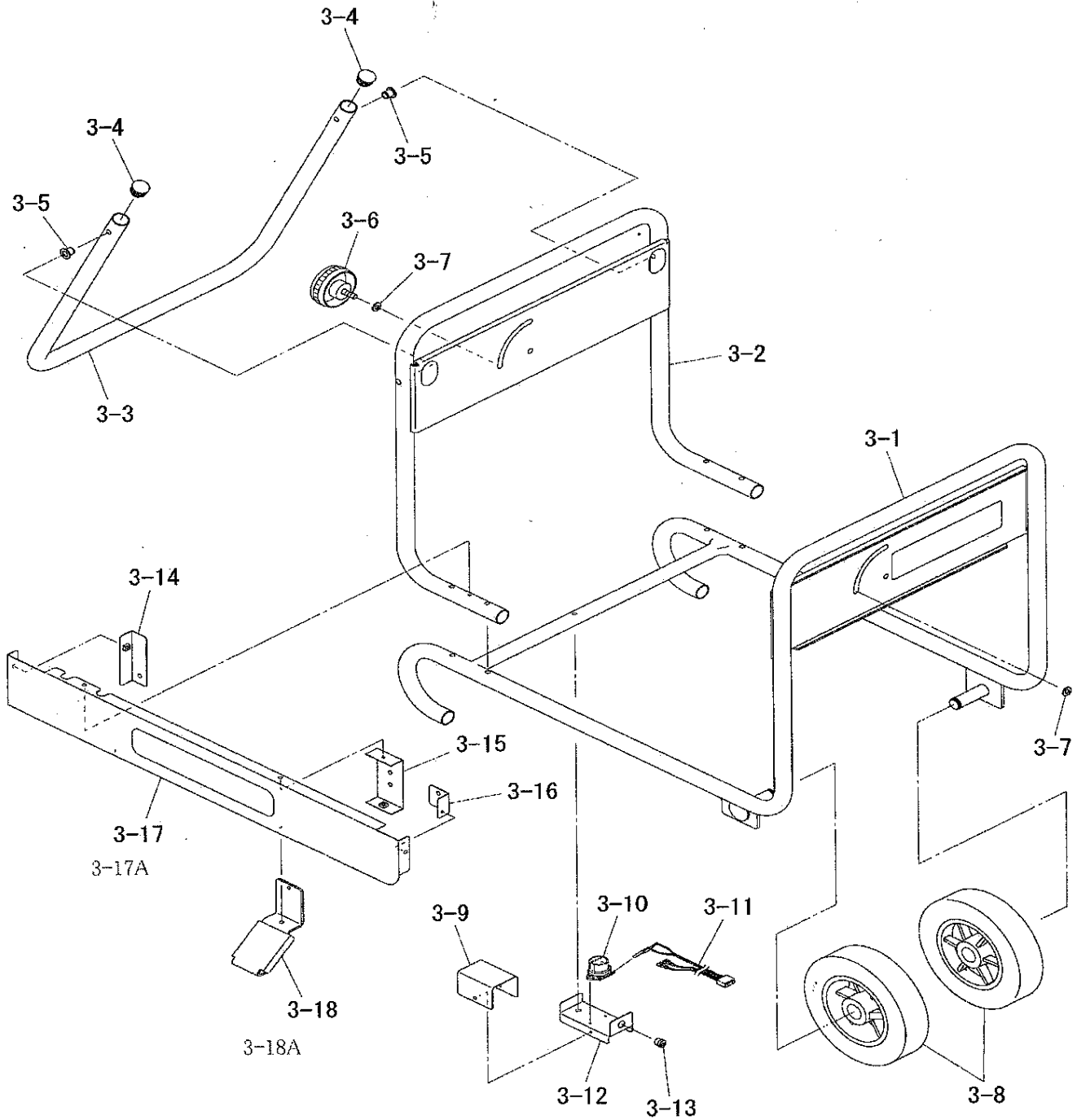
Combustion Unit



Burner Unit



Frame Unit



| PART NO. | PART NAME | <COMBUSTION UNIT> | U.S. Parts Code | CODE NO. | QTY /SET | GN5 | GP5 | REMARKS |
|----------|-------------------------|-------------------|-----------------|--------------|----------|-----|-----|--|
| 1 | PROTECTOR ASSEMBLY | ガード組立 | VAL-G-1-01 | 51001 103007 | 1 | ● | ● | |
| 1-2 | DRUM RING | 前板 | VAL-G-1-02 | 51001 203004 | 1 | ● | ● | |
| 1-3 | RADIATION DISK | 放熱ディスク | VAL-G-1-03 | 50335 203001 | 1 | ● | ● | Same as EPX |
| 1-4 | CONICAL INSULATOR | 燃焼室 | VAL-G-1-04 | 51001 203001 | 1 | ● | ● | |
| 1-5 | CYLINDER | ケーシングリング外筒組立 | VAL-G-1-05 | 51001 103003 | 1 | ● | ● | |
| 1-6 | OVERHEAT SENSOR BRACKET | 過熱防止器取付板 | VAL-G-1-06 | 51001 203030 | 1 | ● | ● | |
| 1-7 | OVERHEAT SENSOR | 過熱防止器 | VAL-G-1-07 | 51001 203015 | 1 | ● | ● | |
| 1-8 | UPPER INSULATOR BRACKET | 天面断熱材固定板 | VAL-G-1-08 | 51001 203013 | 1 | ● | ● | |
| 1-9 | UPPER INSULATOR | 天面断熱材 | VAL-G-1-09 | 51001 203012 | 1 | ● | ● | |
| 1-10 | BURNER DRAFT PACKING | 遮熱板パッキン | VAL-G-1-10 | 51001 203010 | 1 | ● | ● | |
| 1-11 | DRUM | 放熱部外筒 | VAL-G-1-11 | 51001 203003 | 1 | ● | ● | |
| 1-12 | SUPPORT BRACKET | 放熱部支持金具 | VAL-G-1-12 | 51001 203011 | 2 | ● | ● | |
| 1-13 | INSULATOR | 遮熱板溶接組立 | VAL-G-1-13 | 51001 103008 | 1 | N/A | N/A | till 2013, C-01, change to 51001103006 |
| 1-13A | | 遮熱板 | VAL-G-1-13A | 51001 203006 | 1 | ● | ● | from 2014, B-01 |
| 1-14 | GROMMET | グロメット B-8-1 | VAL-G-1-14 | 51001 203031 | 1 | ● | ● | |
| 1-15 | DRUM END | 後板 | VAL-G-1-15 | 51001 203005 | 1 | ● | ● | |
| 1-16 | GRIP | オプション取手 | VAL-G-1-16 | 50335 204001 | 1 | ● | ● | Same as EPX |
| 1-17 | BLOWER FAN | 送風ファン | VAL-G-1-17 | 50310 201020 | 1 | ● | ● | Same as Daystar |
| 1-18 | BLOWER MOTOR | 送風モーター | VAL-G-1-18 | 50317 201010 | 1 | ● | ● | Same as Daystar |
| 1-19 | RELAY CABLE | 送風モーター中継コード | VAL-G-1-19 | 51001 203014 | 1 | ● | ● | |
| 1-20 | MOTOR CORD STOPPER | モーターコードフック | VAL-G-1-20 | 50320 202018 | 1 | ● | ● | Same as Daystar |
| 21 | DRUM BASE | ファンケース組立 | VAL-G-1-21 | 51001 103005 | 1 | ● | ● | |
| | | | | | | | | |

| PART NO. | PART NAME | < BURNER UNIT > | U.S. Parts Code | CODE NO. | QTY /SET | GN5 | GP5 | REMARKS |
|----------|--|--------------------------|-----------------|--------------|----------|-----|-----|---|
| 2-1 | GAS PIPE ASSEMBLY | 配管組立 | VAL-G-2-01 | 51001 101004 | 1 | ● | | with Regulator and Solenoid valve |
| | | | | 51002 101003 | 1 | | ● | |
| 2-2 | GAS MIXING BOX | ミキサー溶接組立 | VAL-G-2-02 | 51001 101006 | 1 | ● | ● | |
| 2-3 | FAN PACKING | ファン取付フランジパッキング | VAL-G-2-03 | 51001 201048 | 1 | ● | ● | |
| 2-4 | COMBUSTION FAN | 燃焼ファン | VAL-G-2-04 | 50330 201013 | 1 | ● | ● | till 2013, C-01, change to 51001201057 |
| 2-4A | | | VAL-G-2-04A | 51001 201057 | 1 | ● | ● | from 2014, B-01 |
| 2-5 | AIR SWITCH (A) | 風圧スイッチ組立 | VAL-G-2-05 | 51001 101009 | 1 | ● | ● | till 2014(B lot) and w/o 2-46 filter |
| | | | | 51001 101022 | 1 | ● | ● | from 2015, replacement with 2-46 filter |
| 2-6 | AIR SWITCH (B) | バーナーファン圧力スイッチ(LL)組立 | VAL-G-2-06 | 01027 110008 | 1 | ● | ● | |
| 2-7 | CONNECTING CORD | 風圧スイッチ渡りコード | VAL-G-2-07 | 51001 201035 | 1 | ● | ● | |
| 2-8 | AJR SWITCH CORD | 風圧スイッチコード | VAL-G-2-08 | 51001 201037 | 1 | ● | ● | |
| 2-9 | SLEEVE | 後入れスリーブ | VAL-G-2-09 | 51001 201055 | 1 | ● | ● | |
| 2-10 | AIR SWITCH COVER | 圧力スイッチカバー | VAL-G-2-10 | 01138 207041 | 2 | ● | ● | |
| 2-11 | AIR SWITCH HOSE | 風圧ホース組立 | VAL-G-2-11 | 51001 101010 | 1 | ● | ● | |
| 2-12 | HOSE CLAMP | ホースクランプ | VAL-G-2-12 | 50319 202016 | 6 | ● | ● | Same as Daystar |
| 2-13 | GROUNDING WIRE (A) | バーナーヘッドアースコード | VAL-G-2-13 | 51001 201038 | 1 | ● | ● | |
| 2-14 | WIRE BINDING | ワイヤバンドル | VAL-G-2-14 | 51001 201033 | 6 | ● | ● | |
| 2-15 | PIPE FIXING BRACKET | 配管固定金具 | VAL-G-2-15 | 51001 200002 | 1 | ● | ● | |
| 2-16 | PIPE FIXING BRACKET BASE | 配管固定金具脚 | VAL-G-2-16 | 51001 200003 | 1 | ● | ● | |
| 2-17 | OPERATION SWITCH | 運転スイッチ | VAL-G-2-17 | 50254 204006 | 1 | ● | ● | Same as MPX |
| 2-18 | OPERATION SWITCH CORD | 運転スイッチコード | VAL-G-2-18 | 51001 201039 | 1 | ● | ● | |
| 2-19 | BURNER CONTROL BRACKET | 操作基板取付板組立 | VAL-G-2-19 | 51001 101014 | 1 | ● | ● | with face label (2-20)50300201010 |
| 2-21 | BURNER CONTROL COVER | バーンコンカバー | VAL-G-2-21 | 51001 201009 | 1 | ● | ● | |
| 2-22 | CONTROL CHASSIS | バーンコン取付板 | VAL-G-2-22 | 51001 201008 | 1 | ● | ● | |
| 2-23 | BURNER CONTROL | バーンコントローラー | VAL-G-2-23 | 51001 201001 | 1 | ● | ● | |
| 2-24 | GROUNDING WIRE (B) | 基板アースコード | VAL-G-2-24 | 51001 201056 | 1 | ● | ● | |
| 2-25 | CONTROL SUPPORT | 基板ホルダー | VAL-G-2-25 | 50229 201037 | 4 | ● | ● | Same as EPX |
| 2-26 | STEP DOWN TRANSFORMER | 変圧トランス | VAL-G-2-26 | 51001 201006 | 1 | ● | ● | |
| 2-27 | POWER CABLE | 電源コード | VAL-G-2-27 | 51001 201007 | 1 | ● | ● | |
| 2-28 | CABLE STOPPER | 中間クリップ | VAL-G-2-28 | 50205 201019 | 1 | ● | ● | Same as MPX |
| 2-29 | SOLENOID VALVE CORD | 電磁弁コード | VAL-G-2-29 | 51001 201036 | 1 | ● | ● | |
| 2-30 | IGNITION TRANSFORMER | 点火トランス | VAL-G-2-30 | 51001 201005 | 1 | ● | ● | |
| 2-30 | GAS MIXING BOX PACKING | ミキサーパッキング | VAL-G-2-31 | 51001 201047 | 1 | ● | ● | |
| 2-32 | BURNER HEAD | バーナーヘッド組立 | VAL-G-2-32 | 51001 101005 | 1 | ● | ● | include 2-33, 2-34, 2-35, 2- |
| 2-33 | ELECTRODE | スパークプラグ | VAL-G-2-33 | 51001 201042 | 1 | ● | ● | |
| 2-34 | ELECTRODE GROUND | スパークプラググラウンド | VAL-G-2-34 | 51001 201044 | 1 | ● | ● | |
| 2-35 | FLAME ROD | フレイムロッド | VAL-G-2-35 | 51001 201043 | 1 | ● | ● | |
| 2-36 | FLAME ROD CORD | フレイムロッドコード | VAL-G-2-36 | 51001 201040 | 1 | ● | ● | |
| 2-37 | BURNER PACKING | バーナーパッキング | VAL-G-2-37 | 51001 201032 | 1 | ● | ● | |
| 2-38 | BURNER COVER with schematic diagram sticker | バーナーカバーパネル組立 配線図パネル添付 | VAL-G-2-38 | 51001 101003 | 1 | ● | ● | till 2014(B lot) and w/o 2-46 filter |
| 2-38A | | | VAL-G-2-38A | 51001 101016 | 1 | ● | ● | from 2015, replacement with 2-46 filter |
| 2-39 | BURNER COVER PLATE | バーナーカバープレート | VAL-G-2-39 | 51001 201046 | 1 | ● | ● | till 2014(B lot) and w/o 2-46 filter |
| 2-39A | BURNER COVER PLATE | バーナーカバープレート | VAL-G-2-39A | 51002 201072 | 1 | ● | ● | from 2015, replacement with 2-46 filter |

| PART NO. | PART NAME | <BURNER UNIT> | U.S. Parts Code | CODE NO. | QTY /SET | GN5 | GP5 | REMARKS |
|------------------------|---------------------|---------------|-----------------|--------------|----------|-----|-----|---|
| 2-40 | ELECTRODE RETAINER | ﾌﾞﾗｯｸﾞ 押え金具組立 | VAL-G-2-40 | 51001 101013 | 1 | ● | ● | |
| 2-41 | AIR SWITCH CORD | ｱｲｰｽｲｯﾁｺｰﾄﾞ | VAL-G-2-41 | 51001 201066 | 2 | ● | ● | |
| 2-42 | AIR SWITCH(C) | ｱｲｰｽｲｯﾁ組立 | VAL-G-2-42 | 51001 101021 | 1 | ● | ● | from 2015, replacement with 2-46 filter |
| 2-43 | AIR SWITCH CHASSIS | ｱｲｰｽｲｯﾁ取付板 | VAL-G-2-43 | 51001 201062 | 1 | ● | ● | from 2015, replacement with 2-46 filter |
| 2-44 | DUCT & PACKING | ﾀﾞｸﾄﾊﾟｯｷﾝ組立 | VAL-G-2-44 | 51001 101018 | 1 | ● | ● | from 2015, replacement with 2-46 filter |
| 2-45 | AIR SWITCH(C) HOSE | ｱｲｰｽｲｯﾁﾎｰｽ | VAL-G-2-45 | 51001 201076 | 1 | ● | ● | from 2015, replacement with 2-46 filter |
| 2-46 | FIRTER | ﾌｨﾙﾀｰ | VAL-G-2-46 | 51001 201072 | 1 | ● | ● | GN5/GP5 from 2015 |
| 2-47 | FIRTER CHASSIS | ﾌｨﾙﾀｰｰｰｽ | VAL-G-2-47 | 51001 201071 | 1 | ● | ● | from 2015, replacement with 2-46 filter |
| 2-48A | NOZZLE(Natural gas) | ﾉｽﾞﾙ (ﾅﾁｭﾗﾙ) | VAL-G-2-48A | 51001 201003 | 1 | ● | | with O ring |
| 2-48B | NOZZLE(Propane gas) | ﾉｽﾞﾙ (ﾌﾟﾚﾊﾟﾝ) | VAL-G-2-48B | 51002 201002 | 1 | | ● | with O ring |
| 2-49 | SOLENOID VALVE | 電磁弁 | VAL-G-2-49 | 51001 201002 | 1 | ● | ● | |
| 2-50 | REGULATOR | ﾚｷﾞｭﾚｰﾀｰ | VAL-G-2-50 | 51001 201003 | 1 | ● | ● | changed from 51001201041 |
| *2-20 is unused number | | | | | | | | |
| | | | | | | | | 160354 |

